



## Features

- 2.54 mm pitch & height
  - 2 to 6 precious metal contacts
  - End-to-end stackable
  - Twin hot contacts (symmetrical pad layout)
  - Pick & place compatible
  - High cycle life
- RoHS compliant\* - see [processing information](#) on RoHS compliant surface mount components
  - For applications/processing guidelines, [click here](#)

## 70AA/Male - Modular Contact

### Materials & Finishes

Insulator.... Glass reinforced thermoplastic, UL 94V-0 rated, black  
 Contact.....Copper alloy  
 Finish  
 Underplating.....30 μ" to 60 μ" Ni  
 Contact Area ..... 30 μ" min. Au over Ni

### Operating Characteristics

Electrical  
 Current Rating..... 3 A/contact  
 Voltage Rating.....60 V  
 Contact Resistance..... 25 mohms max.  
 Dielectric Voltage .....AC 500 V  
 Insulating Resistance.. 1000 Mohms min.  
 Operating Temperature  
 .....-55 °C to 125 °C

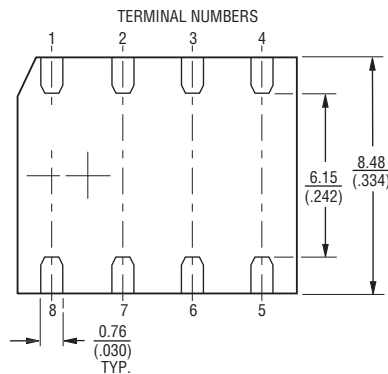
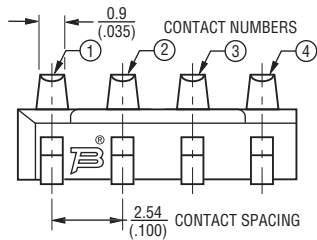
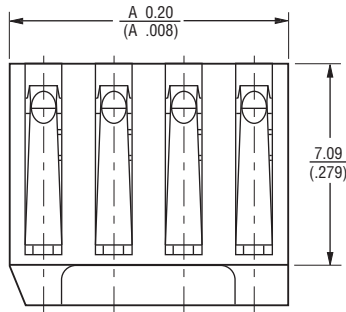
Mechanical  
 Vibration..... 30 G, 10-2K Hz, 0.06 inches D.A.  
 Shock..... 100 G  
 Normal Force ..... 80 grams min. at a working height of 0.25 mm (0.010 inches)  
 Durability ..... 10,000 cycles min.

### How to Order

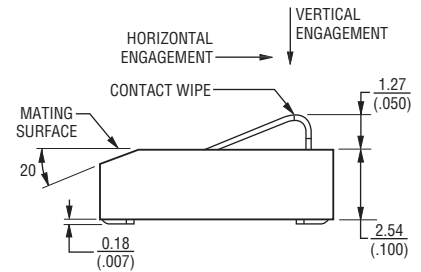
**70AA J - 4 - M 0 G**

Model \_\_\_\_\_  
 Terminal Style \_\_\_\_\_  
 J = SMT  
 Number of Contacts (N) \_\_\_\_\_  
 2 through 6  
 Gender \_\_\_\_\_  
 M = Male  
 Options \_\_\_\_\_  
 0 = Standard  
 Packaging Option \_\_\_\_\_  
 \_ = Tube  
 G = Embossed Tape (750 pcs. per reel)

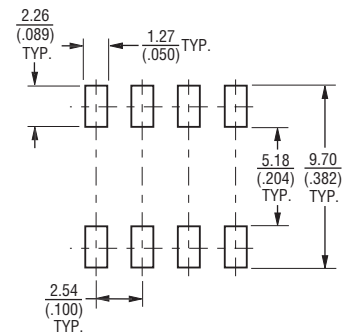
### Product Dimensions



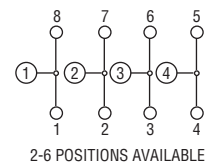
Number of Contacts	Dimension A
2	5.00 (.197)
3	7.54 (.297)
4	10.20 (.397)
5	12.62 (.497)
6	15.16 (.597)



### Recommended PWB Layout



### Electrical Schematic



TOLERANCES:  $\pm 0.3$  UNLESS OTHERWISE NOTED  
 ( $\pm 0.12$ )

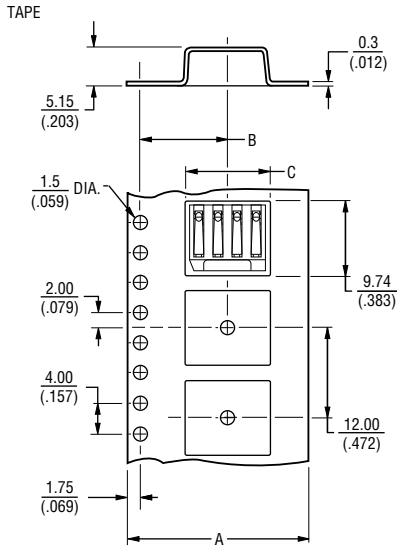
DIMENSIONS:  $\frac{MM}{(INCHES)}$

\*RoHS Directive 2002/95/EC Jan. 27, 2003 including annex and RoHS Recast 2011/65/EU June 8, 2011. Specifications are subject to change without notice. Customers should verify actual device performance in their specific applications.

# 70AA/Male - Modular Contact

**BOURNS®**

## Packaging Specifications



No. of Contacts	Dimension A	Dimension B	Dimension C	Dimension D
2	$\frac{16.0}{(.630)}$	$\frac{7.5}{(.296)}$	$\frac{5.64}{(.222)}$	$\frac{16.4}{(.646)}$
3	$\frac{16.0}{(.630)}$	$\frac{7.5}{(.296)}$	$\frac{8.19}{(.323)}$	$\frac{16.4}{(.646)}$
4	$\frac{24.0}{(.945)}$	$\frac{11.5}{(.453)}$	$\frac{10.4}{(.409)}$	$\frac{24.4}{(.961)}$
5	$\frac{24.0}{(.945)}$	$\frac{11.5}{(.453)}$	$\frac{12.95}{(.510)}$	$\frac{24.4}{(.961)}$
6	$\frac{24.0}{(.945)}$	$\frac{11.5}{(.453)}$	$\frac{15.5}{(.610)}$	$\frac{24.4}{(.961)}$

DIMENSIONS:  $\frac{\text{MM}}{\text{(INCHES)}}$

