

**NEW**

# CRE Series 10mm DIP Coded Rotary Switches



**H  
DIP**

## Features/Benefits

- **Process sealed – withstands soldering and cleaning**
- **Thru-hole and surface mount models**
- **New designs with different actuators**
- **RoHS compatible and compliant**
- **New generation price competitive**

## Typical Applications

- **Address switching applications**
- **Data storage devices**
- **Computer and peripherals**
- **Instrumentation**



## Specifications

CONTACT RATING: 42 V DC 150mA (switching), 200mA (non-switching)

MECHANICAL & ELECTRICAL LIFE: 10,000 cycles

INITIAL CONTACT RESISTANCE: 80 milliohms max.

INSULATION RESISTANCE: 100 megohms min.

OPERATING TEMPERATURE: -20°C to 85°C.

STORAGE TEMPERATURE: -40°C to 85°C.

OPERATING FORCE: 700 gf max.

SOLDER CONDITIONS:

- Straight and right-angle types: Iron soldering 2s/340°C, wave soldering 5s/280°C
- Through-hole and SMT types: Iron soldering 2s/340°C, wave soldering: 5s/280°C, reflow soldering 10s/260°C

SOLDERABILITY: Dip and look solderability testing per C&K spec #448

PACKAGING: Switches are supplied in rigid dispensing tubes in full-tube quantities only, this may affect order quantities. Number of switches per tube varies with model. Tape and reel packing also available with exception for the right-angle "A" type terminations.

## Materials

COVER:

- Straight and right-angle types: Nylon#66 (G45%)
- Through-hole and SMT types: LCP (G30%)

BASE:

- Straight and right-angle types: Nylon#66 (G45%)
- Through-hole and SMT types: LCP (G30%)

ACTUATOR:

- Straight and right-angle types: Poly Acetal
- Through-hole and SMT types: Nylon#66 (G45%)

CONTACTS: Brass with Gold nickel plating

TERMINALS: Brass with Gold nickel plating

## How To Order

The Build-A Switch concept allows you to mix and match options to create the switch you need. Below is a complete listing of options shown in catalog. To order, simply select desired option from each category and place in the appropriate box.



Third Angle  
Projection

Dimensions are shown: Inch (mm)  
Specifications and dimensions subject to change



20 Jun 19

# CRE Series 10mm DIP Coded Rotary Switches

**NEW**

## CODING

DIP I

### R Real Code

04 POSITION

		Real Code				
04 POSITION		C	1	2	4	8
0	0	•				
1	1	•	•			
2	2	•		•		
3	3	•			•	

06 POSITION

		Real Code				
06 POSITION		C	1	2	4	8
0	0	•				
1	1	•	•			
2	2	•		•		
3	3	•			•	
4	4	•				•
5	5	•	•	•		
6	6	•			•	
7	7	•				•

08 POSITION

		Real Code				
08 POSITION		C	1	2	4	8
0	0	•				
1	1	•	•			
2	2	•		•		
3	3	•			•	
4	4	•				•
5	5	•	•	•		
6	6	•			•	
7	7	•				•

10 POSITION

		Real Code				
10 POSITION		C	1	2	4	8
0	0	•				
1	1	•	•			
2	2	•		•		
3	3	•			•	
4	4	•				•
5	5	•	•	•		
6	6	•			•	
7	7	•				•
8	8	•	•	•		
9	9	•			•	

16 POSITION

		Real Code				
16 POSITION		C	1	2	4	8
0	0	•				
1	1	•	•			
2	2	•		•		
3	3	•			•	
4	4	•				•
5	5	•	•	•		
6	6	•			•	
7	7	•				•
8	8	•	•	•		
9	9	•			•	
A	A	•				•
B	B	•	•	•		
C	C	•			•	
D	D	•				•
E	E	•	•	•		
F	F	•			•	

PIN 1 INDICATOR



### C Complement Code

04 POSITION

		Complement Code				
04 POSITION		C	1	2	4	8
0	0	•	•	•	•	•
1	1	•	•	•	•	•
2	2	•	•	•	•	•
3	3	•	•	•	•	•

06 POSITION

		Complement Code				
06 POSITION		C	1	2	4	8
0	0	•	•	•	•	•
1	1	•	•	•	•	•
2	2	•	•	•	•	•
3	3	•	•	•	•	•
4	4	•	•	•	•	•
5	5	•	•	•	•	•

08 POSITION

		Complement Code				
08 POSITION		C	1	2	4	8
0	0	•	•	•	•	•
1	1	•	•	•	•	•
2	2	•	•	•	•	•
3	3	•	•	•	•	•
4	4	•	•	•	•	•
5	5	•	•	•	•	•
6	6	•	•	•	•	•
7	7	•	•	•	•	•

10 POSITION

		Complement Code				
10 POSITION		C	1	2	4	8
0	0	•	•	•	•	•
1	1	•	•	•	•	•
2	2	•	•	•	•	•
3	3	•	•	•	•	•
4	4	•	•	•	•	•
5	5	•	•	•	•	•
6	6	•	•	•	•	•
7	7	•	•	•	•	•
8	8	•	•	•	•	•
9	9	•	•	•	•	•

16 POSITION

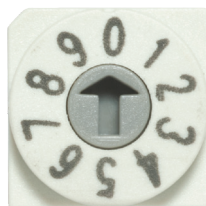
		Complement Code				
16 POSITION		C	1	2	4	8
0	0	•	•	•	•	•
1	1	•	•	•	•	•
2	2	•	•	•	•	•
3	3	•	•	•	•	•
4	4	•	•	•	•	•
5	5	•	•	•	•	•
6	6	•	•	•	•	•
7	7	•	•	•	•	•
8	8	•	•	•	•	•
9	9	•	•	•	•	•
A	A	•	•	•	•	•
B	B	•	•	•	•	•
C	C	•	•	•	•	•
D	D	•	•	•	•	•
E	E	•	•	•	•	•
F	F	•	•	•	•	•

PIN 1 INDICATOR

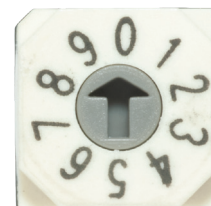


## SHAPE OF SURFACE

### RD Round Type



### OT Octagon Type



Third Angle Projection

**NEW**

# CRE Series 10mm DIP Coded Rotary Switches

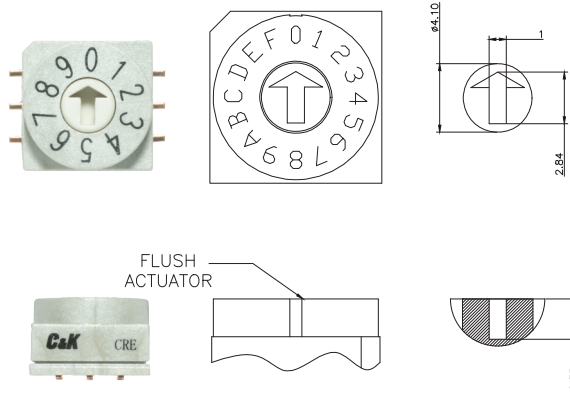


**DIP**

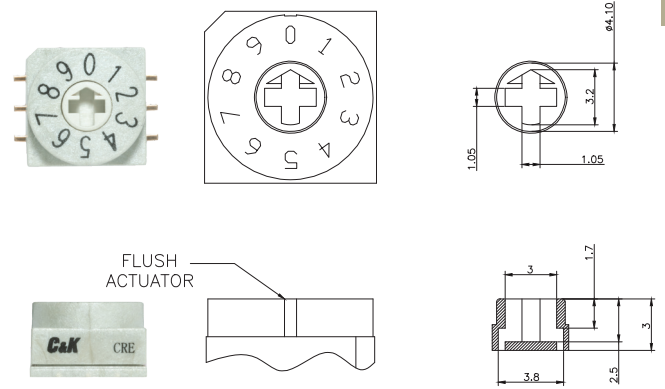
**DIP**

## ACTUATOR

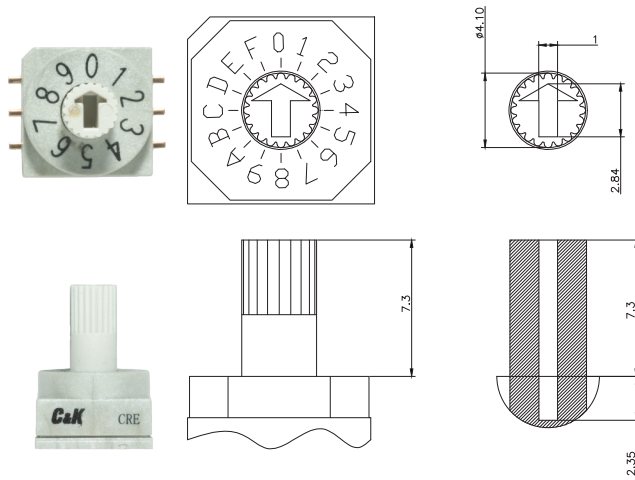
**M0** Flush, Screw type “->”



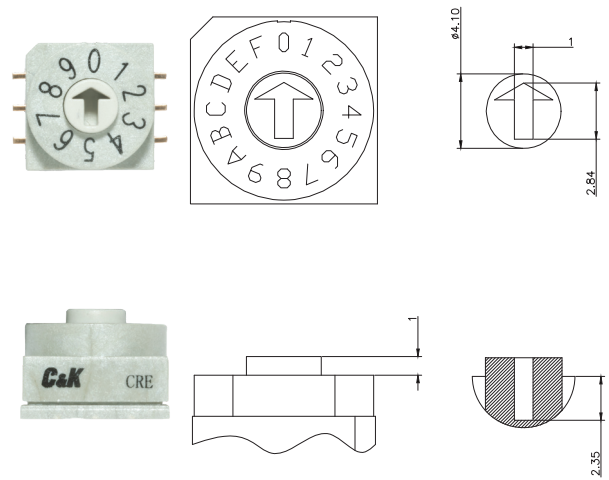
**M1** Flush, Screw type “+”



**L0** Extended, Screw type “->”



**P0** Protrusion, Screw type “->”



**P1** Protrusion, Screw type “+”



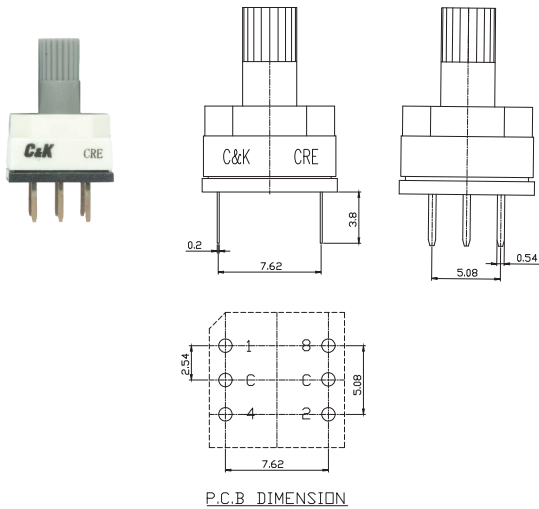
Third Angle  
Projection

# CRE Series 10mm DIP Coded Rotary Switches

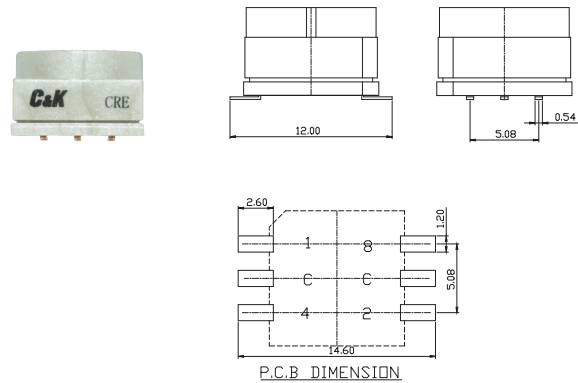
**NEW**

## TERMINATIONS

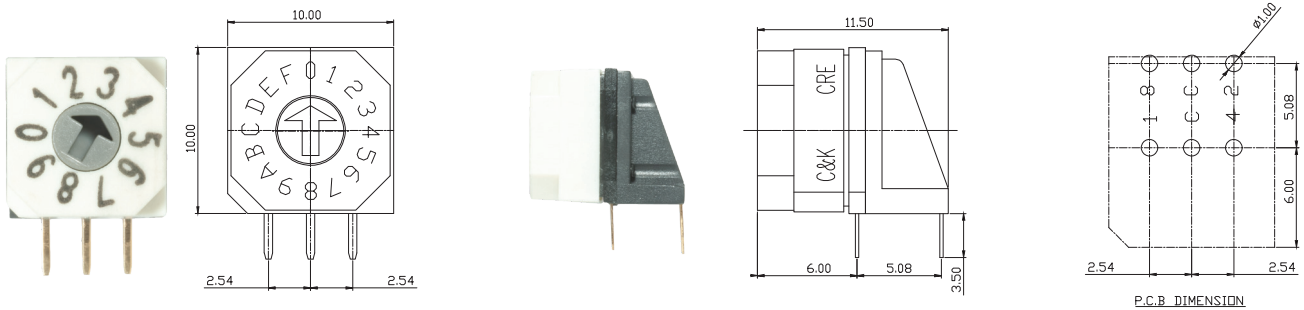
### C PC Thru-hole



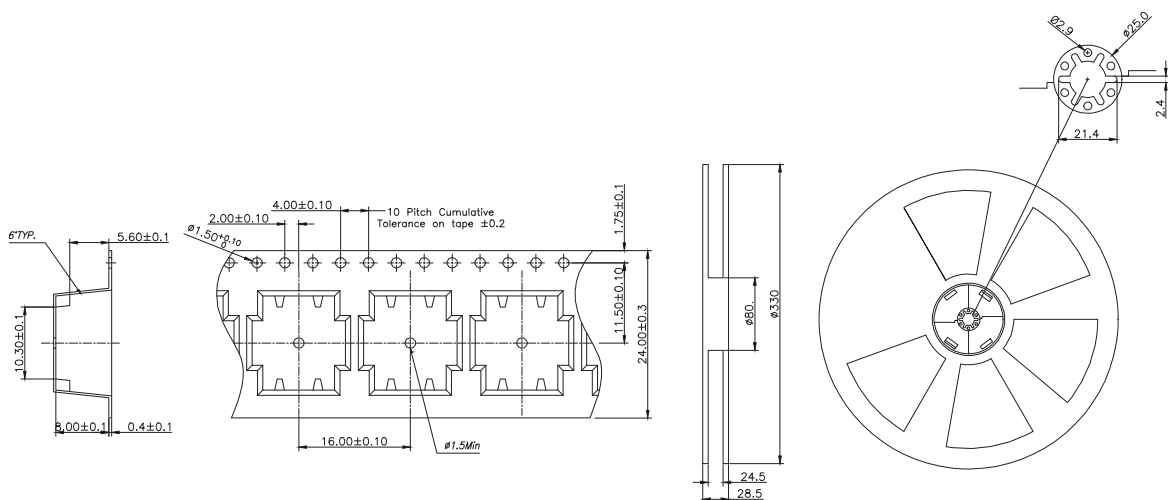
### S Gull wing



### A Right angle, PC thru-hole



## TAPE & REEL



TAPE & REEL: 600 pcs



Dimensions are shown: Inch (mm)  
Specifications and dimensions subject to change



20 Jun 19