

NEW

CRE Series 10mm DIP Coded Rotary Switches



H
DIP

Features/Benefits

- **Process sealed – withstands soldering and cleaning**
- **Thru-hole and surface mount models**
- **New designs with different actuators**
- **RoHS compatible and compliant**
- **New generation price competitive**

Typical Applications

- **Address switching applications**
- **Data storage devices**
- **Computer and peripherals**
- **Instrumentation**



Specifications

CONTACT RATING: 42 V DC 150mA (switching), 200mA (non-switching)

MECHANICAL & ELECTRICAL LIFE: 10,000 cycles

INITIAL CONTACT RESISTANCE: 80 milliohms max.

INSULATION RESISTANCE: 100 megohms min.

OPERATING TEMPERATURE: -20°C to 85°C.

STORAGE TEMPERATURE: -40°C to 85°C.

OPERATING FORCE: 700 gf max.

SOLDER CONDITIONS:

- Straight and right-angle types: Iron soldering 2s/340°C, wave soldering 5s/280°C
- Through-hole and SMT types: Iron soldering 2s/340°C, wave soldering: 5s/280°C, reflow soldering 10s/260°C

SOLDERABILITY: Dip and look solderability testing per C&K spec #448

PACKAGING: Switches are supplied in rigid dispensing tubes in full-tube quantities only, this may affect order quantities. Number of switches per tube varies with model. Tape and reel packing also available with exception for the right-angle "A" type terminations.

Materials

COVER:

- Straight and right-angle types: Nylon#66 (G45%)
- Through-hole and SMT types: LCP (G30%)

BASE:

- Straight and right-angle types: Nylon#66 (G45%)
- Through-hole and SMT types: LCP (G30%)

ACTUATOR:

- Straight and right-angle types: Poly Acetal
- Through-hole and SMT types: Nylon#66 (G45%)

CONTACTS: Brass with Gold nickel plating

TERMINALS: Brass with Gold nickel plating

How To Order

The Build-A Switch concept allows you to mix and match options to create the switch you need. Below is a complete listing of options shown in catalog. To order, simply select desired option from each category and place in the appropriate box.



CRE Series 10mm DIP Coded Rotary Switches

NEW

CODING

DIP I

R Real Code

04 POSITION

		Real Code				
04 POSITION		C	1	2	4	8
0	0	•	•	•	•	•
1	1	•	•	•	•	•
2	2	•	•	•	•	•
3	3	•	•	•	•	•

06 POSITION

		Real Code				
06 POSITION		C	1	2	4	8
0	0	•	•	•	•	•
1	1	•	•	•	•	•
2	2	•	•	•	•	•
3	3	•	•	•	•	•
4	4	•	•	•	•	•
5	5	•	•	•	•	•
6	6	•	•	•	•	•
7	7	•	•	•	•	•

08 POSITION

		Real Code				
08 POSITION		C	1	2	4	8
0	0	•	•	•	•	•
1	1	•	•	•	•	•
2	2	•	•	•	•	•
3	3	•	•	•	•	•
4	4	•	•	•	•	•
5	5	•	•	•	•	•
6	6	•	•	•	•	•
7	7	•	•	•	•	•

10 POSITION

		Real Code				
10 POSITION		C	1	2	4	8
0	0	•	•	•	•	•
1	1	•	•	•	•	•
2	2	•	•	•	•	•
3	3	•	•	•	•	•
4	4	•	•	•	•	•
5	5	•	•	•	•	•
6	6	•	•	•	•	•
7	7	•	•	•	•	•
8	8	•	•	•	•	•
9	9	•	•	•	•	•

16 POSITION

		Real Code				
16 POSITION		C	1	2	4	8
0	0	•	•	•	•	•
1	1	•	•	•	•	•
2	2	•	•	•	•	•
3	3	•	•	•	•	•
4	4	•	•	•	•	•
5	5	•	•	•	•	•
6	6	•	•	•	•	•
7	7	•	•	•	•	•
8	8	•	•	•	•	•
9	9	•	•	•	•	•
A	A	•	•	•	•	•
B	B	•	•	•	•	•
C	C	•	•	•	•	•
D	D	•	•	•	•	•
E	E	•	•	•	•	•
F	F	•	•	•	•	•

PIN 1 INDICATOR



C Complement Code

04 POSITION

		Complement Code				
04 POSITION		C	1	2	4	8
0	0	•	•	•	•	•
1	1	•	•	•	•	•
2	2	•	•	•	•	•
3	3	•	•	•	•	•

06 POSITION

		Complement Code				
06 POSITION		C	1	2	4	8
0	0	•	•	•	•	•
1	1	•	•	•	•	•
2	2	•	•	•	•	•
3	3	•	•	•	•	•
4	4	•	•	•	•	•
5	5	•	•	•	•	•

08 POSITION

		Complement Code				
08 POSITION		C	1	2	4	8
0	0	•	•	•	•	•
1	1	•	•	•	•	•
2	2	•	•	•	•	•
3	3	•	•	•	•	•
4	4	•	•	•	•	•
5	5	•	•	•	•	•
6	6	•	•	•	•	•
7	7	•	•	•	•	•

10 POSITION

		Complement Code				
10 POSITION		C	1	2	4	8
0	0	•	•	•	•	•
1	1	•	•	•	•	•
2	2	•	•	•	•	•
3	3	•	•	•	•	•
4	4	•	•	•	•	•
5	5	•	•	•	•	•
6	6	•	•	•	•	•
7	7	•	•	•	•	•
8	8	•	•	•	•	•
9	9	•	•	•	•	•

16 POSITION

		Complement Code				
16 POSITION		C	1	2	4	8
0	0	•	•	•	•	•
1	1	•	•	•	•	•
2	2	•	•	•	•	•
3	3	•	•	•	•	•
4	4	•	•	•	•	•
5	5	•	•	•	•	•
6	6	•	•	•	•	•
7	7	•	•	•	•	•
8	8	•	•	•	•	•
9	9	•	•	•	•	•
A	A	•	•	•	•	•
B	B	•	•	•	•	•
C	C	•	•	•	•	•
D	D	•	•	•	•	•
E	E	•	•	•	•	•
F	F	•	•	•	•	•

PIN 1 INDICATOR

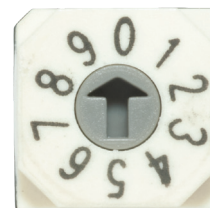


SHAPE OF SURFACE

RD Round Type



OT Octagon Type



Third Angle Projection
Dimensions are shown: Inch (mm)
Specifications and dimensions subject to change

NEW

CRE Series 10mm DIP Coded Rotary Switches

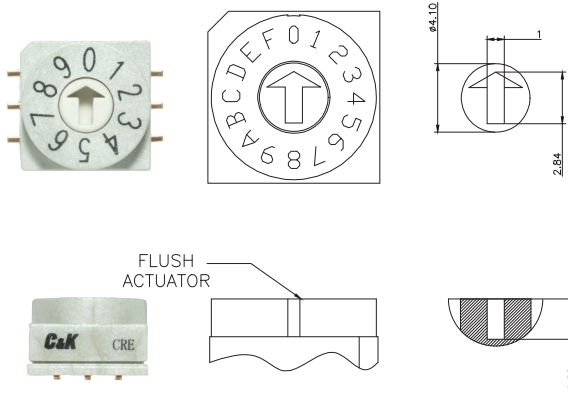


H

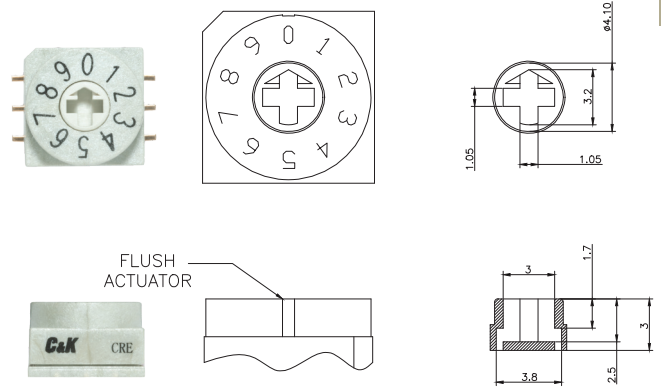
DIP

ACTUATOR

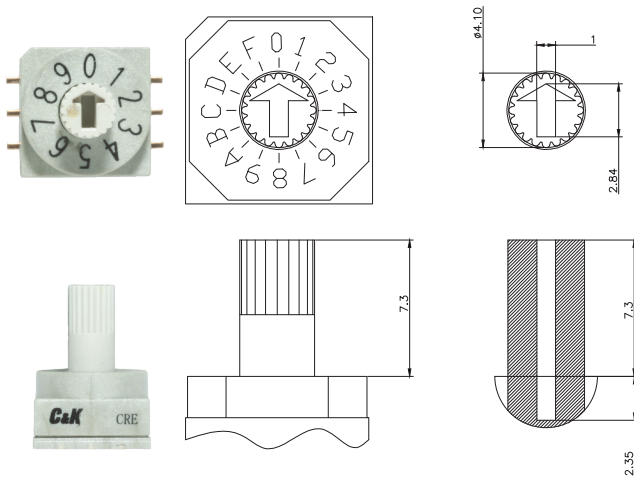
M0 Flush, Screw type “->”



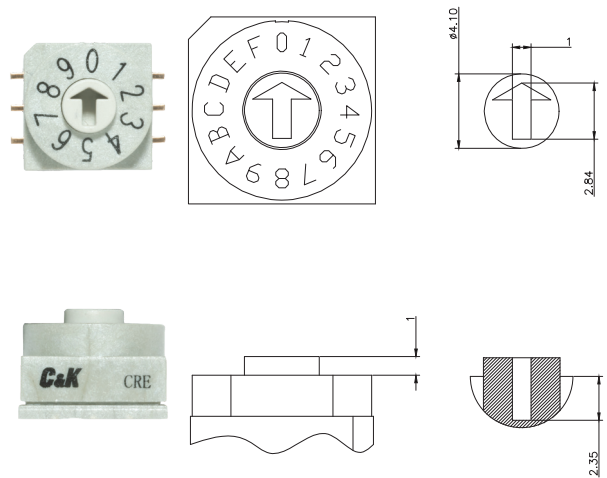
M1 Flush, Screw type “+”



L0 Extended, Screw type “->”



P0 Protrusion, Screw type “->”



P1 Protrusion, Screw type “+”



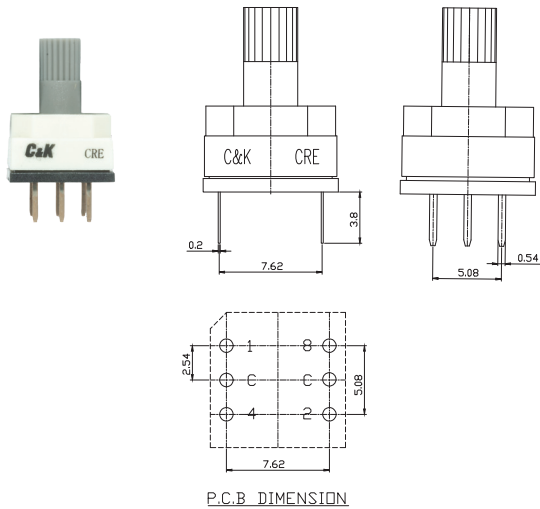
Third Angle
Projection

CRE Series 10mm DIP Coded Rotary Switches

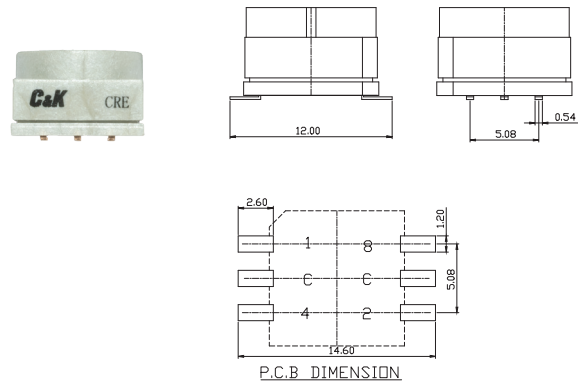
NEW

TERMINATIONS

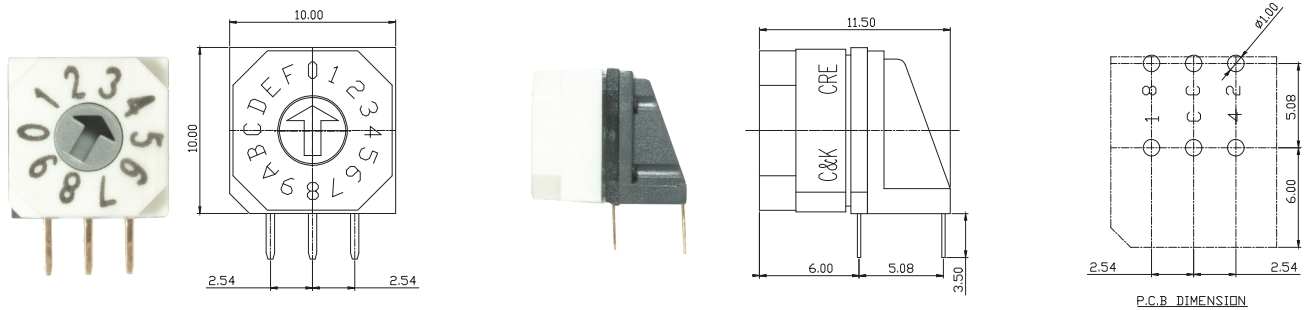
C PC Thru-hole



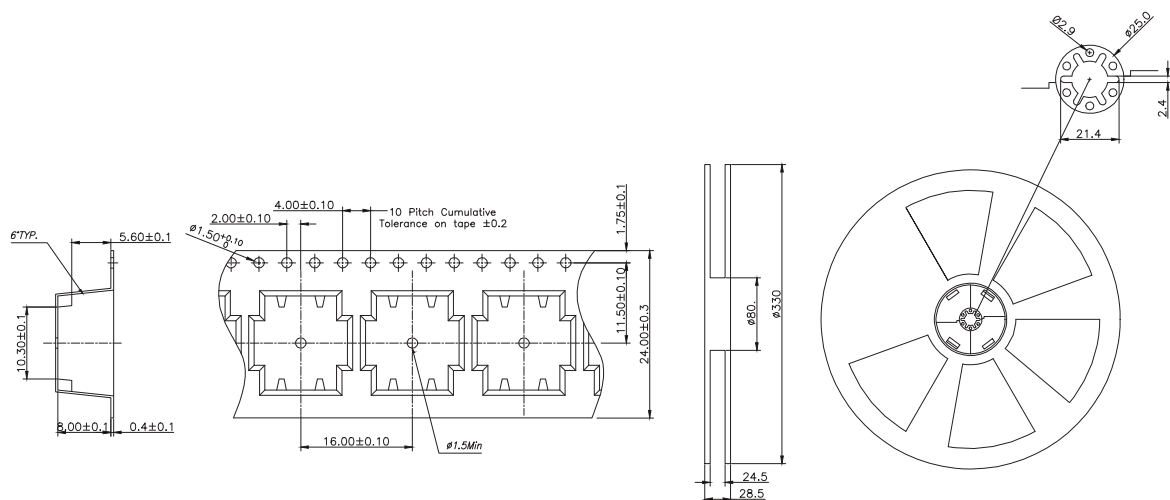
S Gull wing



A Right angle, PC thru-hole



TAPE & REEL



TAPE & REEL: 600 pcs



Dimensions are shown: Inch (mm)
Specifications and dimensions subject to change



20 Jun 19