

4

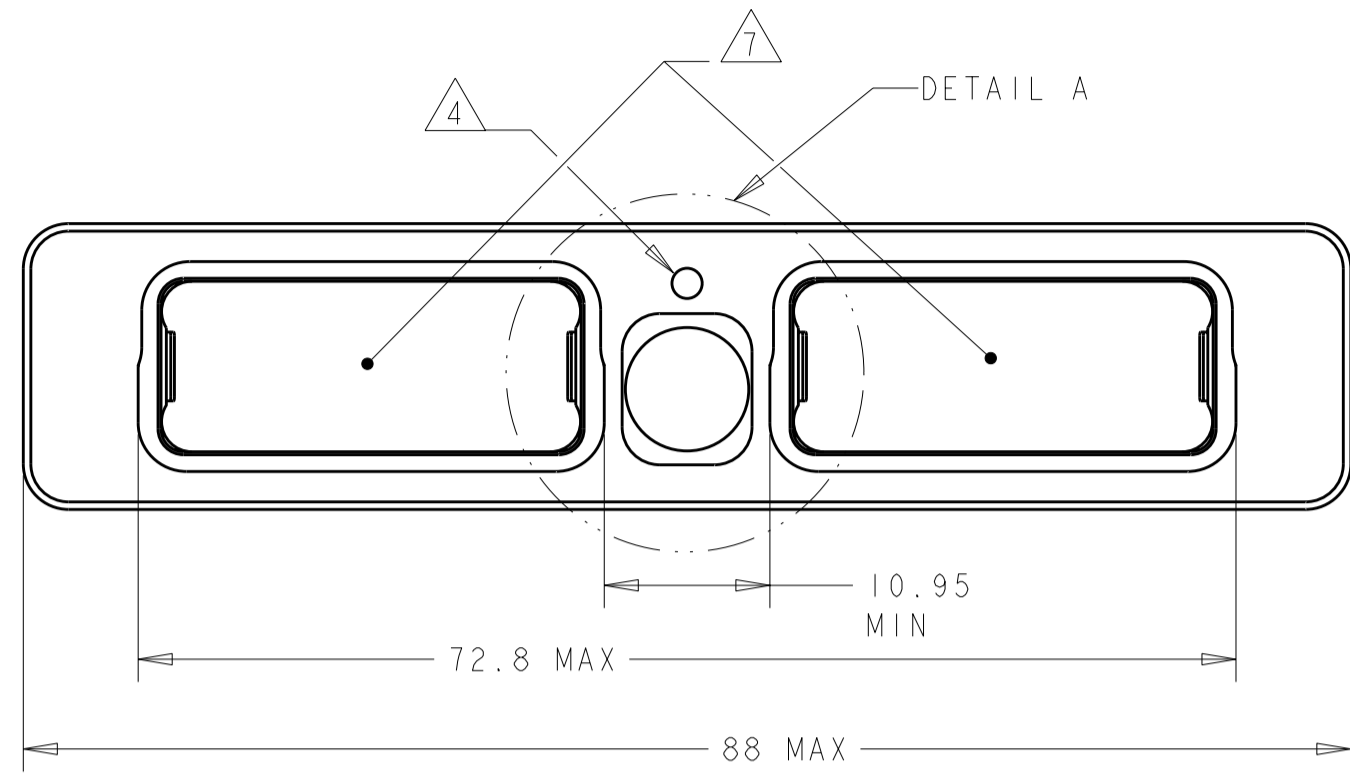
3

2

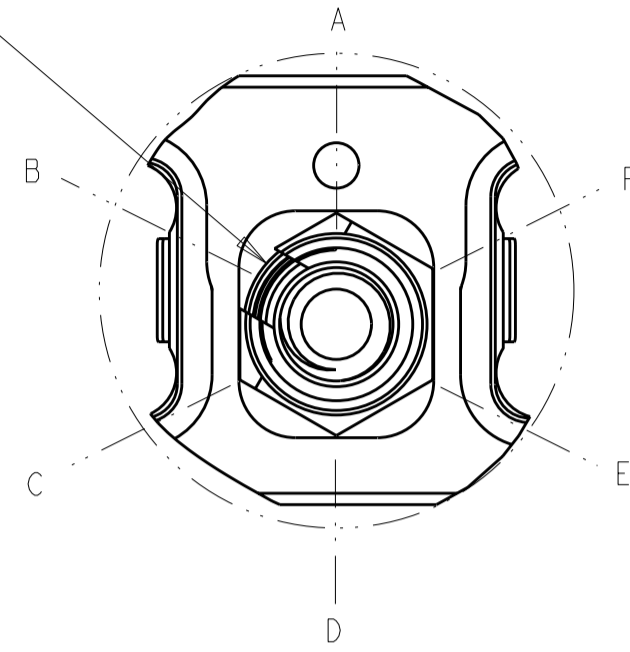
1

THIS DRAWING IS UNPUBLISHED. RELEASED FOR PUBLICATION  
 © COPYRIGHT - BY TYCO ELECTRONICS CORPORATION. ALL RIGHTS RESERVED.

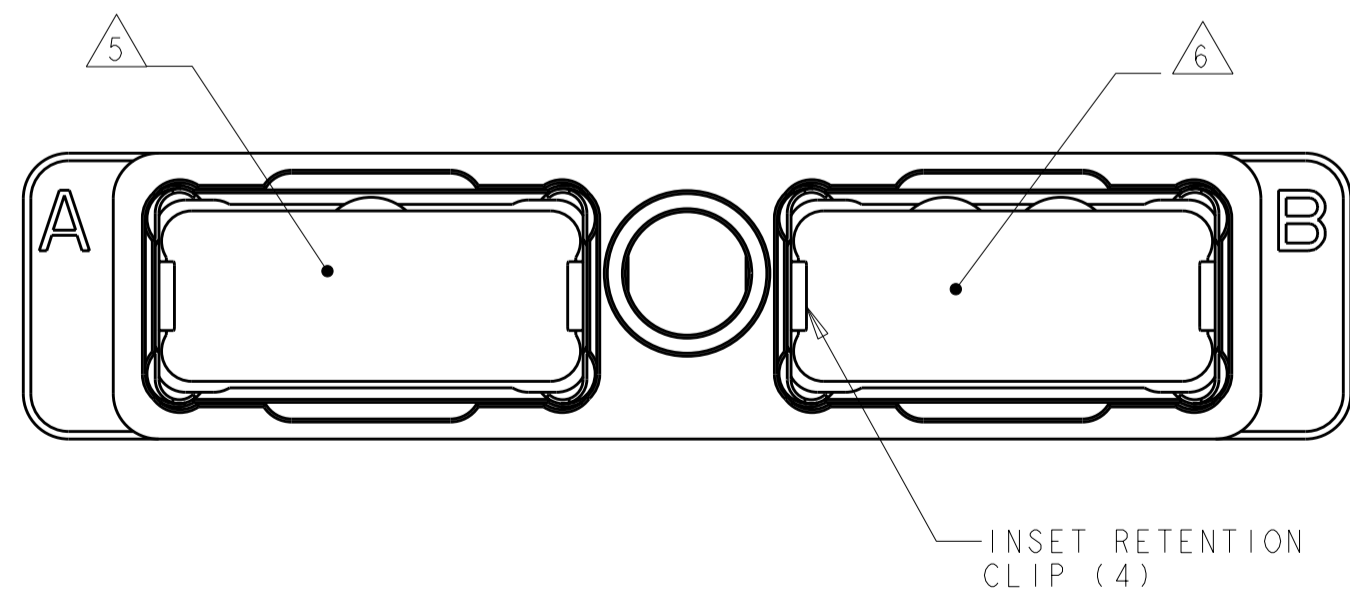
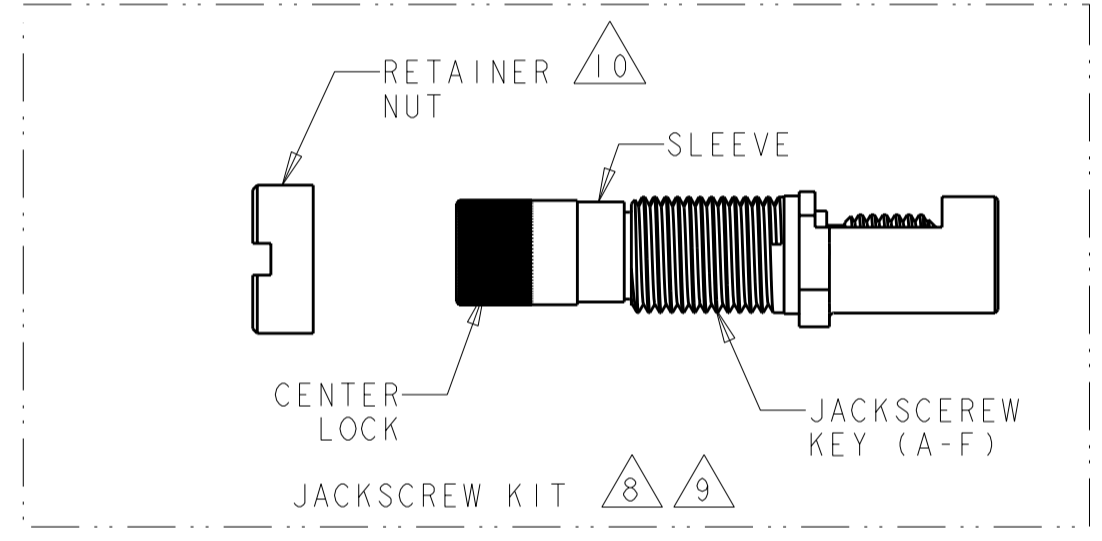
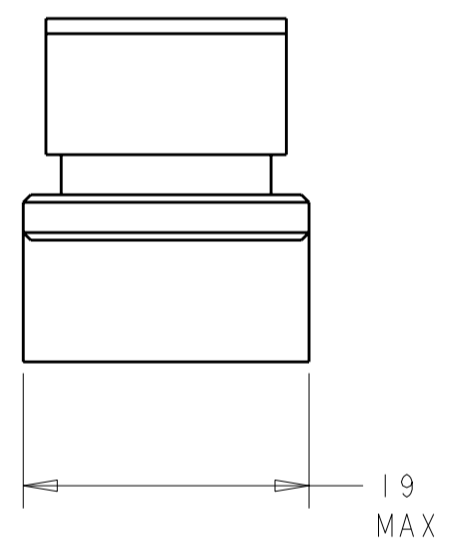
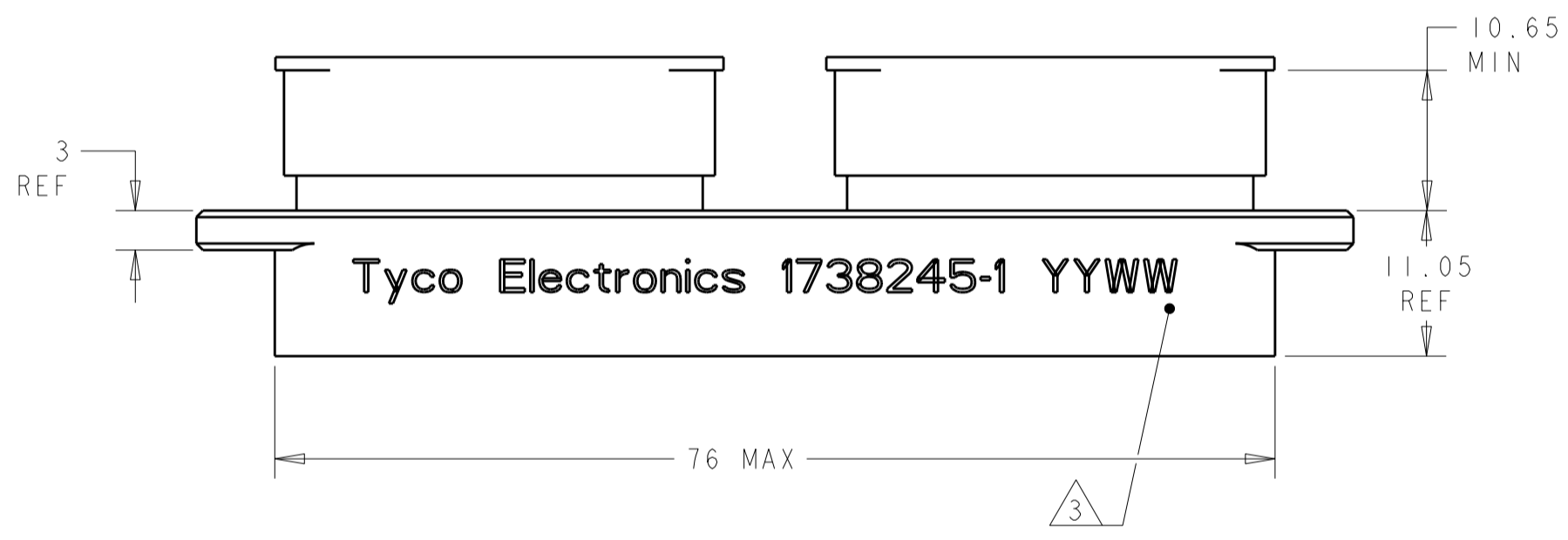
LOC		DIST		REVISIONS			
P	LTR	DESCRIPTION	DATE	DWN	APVD		
	A	REV PER ECO 10-021447	10-21-10	CT	KH		



KEY SLOT OF A - F JACKSCREW  
 ALIGNED WITH THE CORNER POINTS  
 OF THE POLARIZING HEX  
 (SHOWN IN POSITION B)



DETAIL A  
 SCALE 3:1



SEE NOTES ON SHEET 2

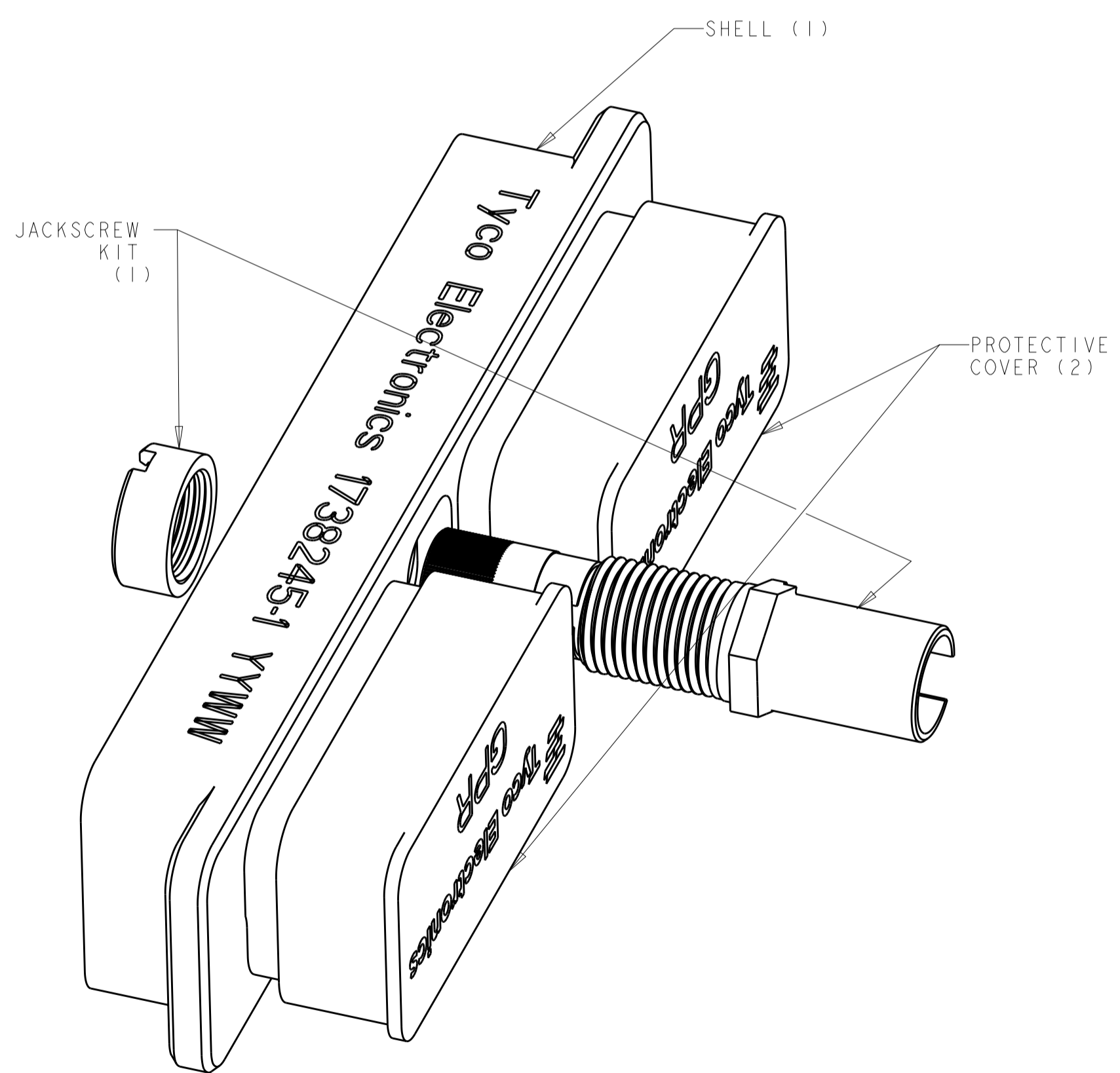
1738245-1  
 PART NUMBER

THIS DRAWING IS A CONTROLLED DOCUMENT FOR TYCO ELECTRONICS CORPORATION IT IS SUBJECT TO CHANGE AND THE CONTROLLING ENGINEERING ORGANIZATION SHOULD BE CONTACTED FOR THE LATEST REVISION.		DWN BH	40CT06	Tyco Electronics Harrisburg, PA 17105-3608	NAME PLUG SHELL KIT, WITH A-F JACKSCREW, GPRB2
DIMENSIONS: mm		CHK JPM	40CT06		
TOLERANCES UNLESS OTHERWISE SPECIFIED: 0 PLC ± 1 PLC ±0.1 2 PLC ±0.05 3 PLC ± 4 PLC ± ANGLES ±1 FINISH		APVD JPM	40CT06	SIZE A200779	CAGE CODE C-1738245
MATERIAL		PRODUCT SPEC		DRAWING NO	RESTRICTED TO
1 -		APPLICATION SPEC		SCALE	SHEET 1 OF 2
2 -		WEIGHT		REV	A
		CUSTOMER DRAWING			

THIS DRAWING IS UNPUBLISHED. RELEASED FOR PUBLICATION  
 © COPYRIGHT BY TYCO ELECTRONICS CORPORATION. ALL RIGHTS RESERVED.

LOC		DIST		REVISIONS			
P	LTR	DESCRIPTION	DATE	DWN	APVD		
-	-	SEE SHEET 1	-	-	-		

- ① SHELL: ALUMINUM ALLOY 6061 T651  
 INSERT RETENTION CLIP & JACKSCREW SLEEVE: COPPER ALLOY PER ASTM B194  
 JACKSCREW KEY, CENTER LOCK, & RETAINING NUT: STAINLESS STEEL PER AISI 316  
 PROTECTIVE COVER: THERMOPLASTIC ELASTOMER
  - ② SHELL: ELECTROLESS NICKEL PER SAE AMS-C-26074, CLASS 1.
  - ③ MARKED WITH TE LOGO, PART NO. & DATE CODE - YEAR & WEEK (YY WW)
  - ④ INDEXING POINT FOR POLARIZATION.
  - ⑤ SHELL CAVITY FOR GPRB SERIES INSERTS WITH KEYING CODE A.
  - ⑥ SHELL CAVITY FOR GPRB SERIES INSERTS WITH KEYING CODE B.
  - ⑦ PROTECTIVE COVERS NOT SHOWN FOR CLARITY.
  - ⑧ THE JACKSCREW AND RETAINING NUT ARE SHIPPED UNASSEMBLED.  
 THE CUSTOMER SHALL APPLY LOCTITE® PRODUCT 272 THREADLOCKING ADHESIVE  
 WHEN INSTALLING THESE ON THE SHELL ASSEMBLY. LOCTITE® IS A  
 REGISTERED TRADEMARK OF HENKEL CORPORATION.
  - ⑨ THE JACKSCREW KIT, TE P/N 1738205-1, IS ALSO AVAILABLE SEPARATELY.
  - ⑩ A SPANNER WRENCH TOOL, TE P/N 1738220-1 (WITH 1/4-in ADAPTER)  
 OR 1738221-1 (WITH T-HANDLE), IS USED TO LOCK THE RETAINING NUT.  
 RECOMMENDED LOCKING TORQUE: 1.5 N-m [13 in-lb].
11. DESCRIPTIVE PART NUMBER: GPRB2PB12N  
 SERIES: GPRB  
 SHELL SIZE: 2 (TWO-CAVITY SHELL)  
 SHELL STYLE: P (PLUG)  
 MODIFICATION CODE: B (NO MOUNTING HOLES)  
 LOCKING & POLARIZING DEVICE: 1 (JACKSCREW)  
 POLARIZATION CODE: 2 (A-FJACKSCREW HARDWARE SHIPPED UNASSEMBLED)  
 SHELL PLATING: N (NICKEL PLATING)
12. THIS PRODUCT IS SOLD BY TYCO ELECTRONICS UNDER A LICENSE FROM RADIAL SA.



SCALE 3:1

THIS DRAWING IS A CONTROLLED DOCUMENT FOR TYCO ELECTRONICS CORPORATION IT IS SUBJECT TO CHANGE AND THE CONTROLLING ENGINEERING ORGANIZATION SHOULD BE CONTACTED FOR THE LATEST REVISION.		DWN	BH	40CT06	Tyco Electronics Harrisburg, PA 17105-3608
DIMENSIONS:		CHK	JPM	40CT06	
mm		APVD	JPM	40CT06	
		PRODUCT SPEC		NAME	
TOLERANCES UNLESS OTHERWISE SPECIFIED:		APPLICATION SPEC		SIZE	A200779
0 PLC ±-		WEIGHT		CAGE CODE	C-1738245
1 PLC ±0.1		CUSTOMER DRAWING		DRAWING NO	1738245
2 PLC ±0.05		SCALE		RESTRICTED TO	-
3 PLC ±-		SHEET		2	2
4 PLC ±-		REV		A	
ANGLES ±1					
FINISH					