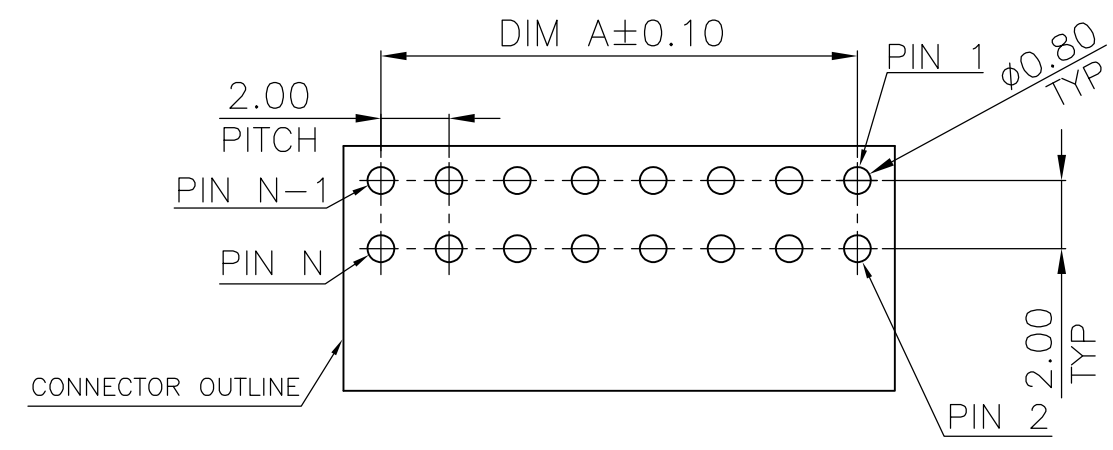
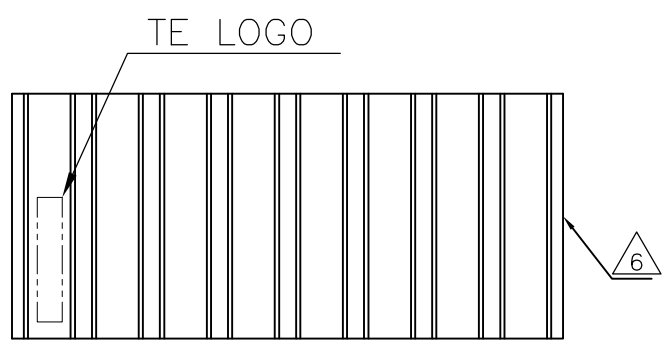
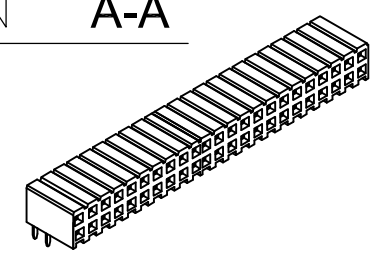
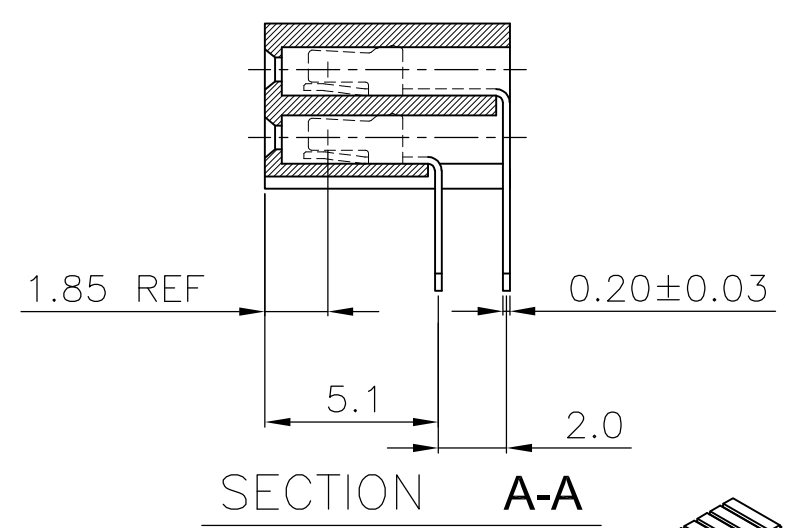
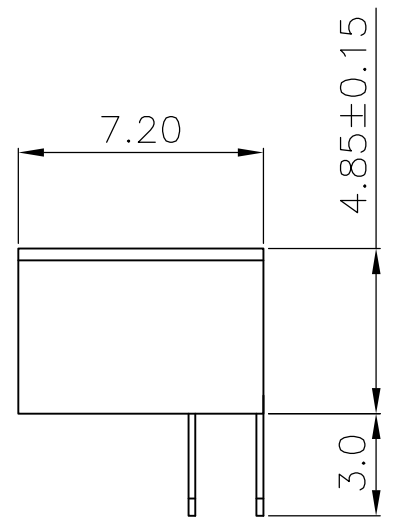
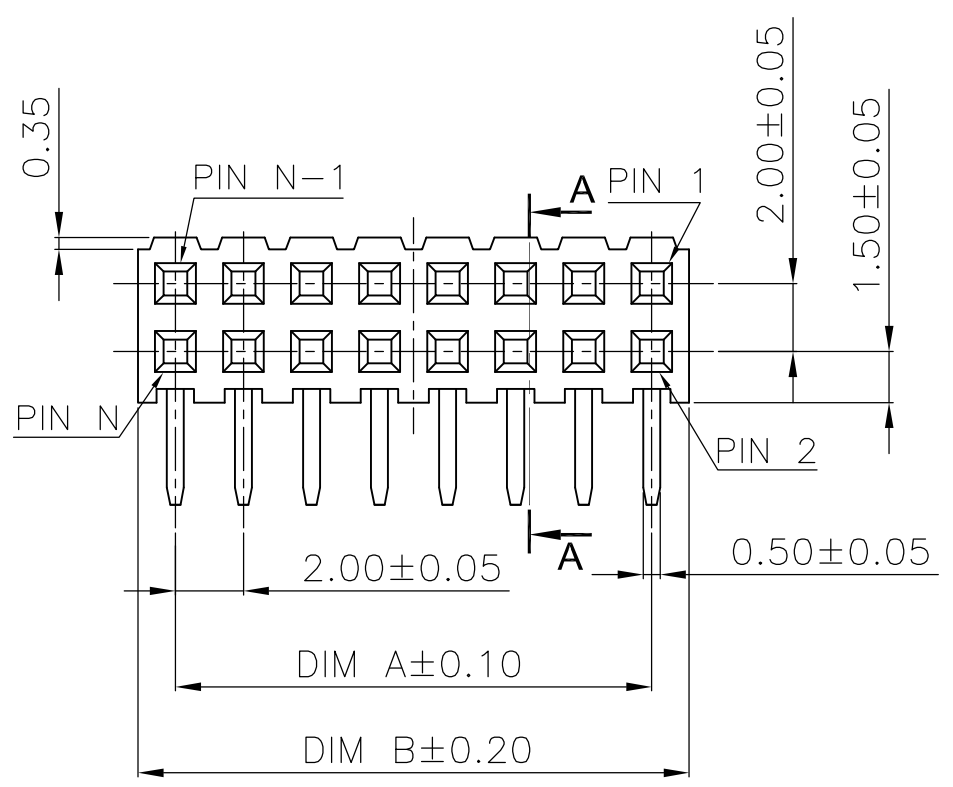


THIS DRAWING IS UNPUBLISHED  
 © COPYRIGHT - By - ALL RIGHTS RESERVED.

LOC	DIST	REVISIONS					
IR	-	P	LTR	DESCRIPTION	DATE	DWN	APVD
			D4	P/N 1-1734531-0 REACTIVATED	13JAN2014	KJK	JKS



RECOMMENDED PCB LAYOUT  
 TOLERANCE ± 0.05 (TOP VIEW)



OBSOLETE	78.00	80.20	80	8-	-0
	76.00	78.20	78	7-	-8
	74.00	76.20	76	7-	-6
	72.00	74.20	74	7-	-4
	70.00	72.20	72	7-	-2
	68.00	70.20	70	7-	-0
	66.00	68.20	68	6-	-8
	64.00	66.20	66	6-	-6
	62.00	64.20	64	6-	-4
	60.00	62.20	62	6-	-2
	58.00	60.20	60	6-	-0
	56.00	58.20	58	5-	-8
	54.00	56.20	56	5-	-6
	52.00	54.20	54	5-	-4
OBSOLETE	50.00	52.20	52	5-	-2
	48.00	50.20	50	5-	-0
	46.00	48.20	48	4-	-8
	44.00	46.20	46	4-	-6
	42.00	44.20	44	4-	-4
	40.00	42.20	42	4-	-2
	38.00	40.20	40	4-	-0
	36.00	38.20	38	3-	-8
OBSOLETE	34.00	36.20	36	3-	-6
	32.00	34.20	34	3-	-4
	30.00	32.20	32	3-	-2
	28.00	30.20	30	3-	-0
OBSOLETE	26.00	28.20	28	2-	-8
	24.00	26.20	26	2-	-6
	22.00	24.20	24	2-	-4
	20.00	22.20	22	2-	-2
	18.00	20.20	20	2-	-0
	16.00	18.20	18	1-	-8
	14.00	16.20	16	1-	-6
	12.00	14.20	14	1-	-4
	10.00	12.20	12	1-	-2
	8.00	10.20	10	1-	-0
OBSOLETE	6.00	8.20	8		1734531-8
	4.00	6.20	6		1734531-6
	2.00	4.20	4		1734531-4
	DIM A	DIM B	POSITION NUMBER	PART NUMBER	
	DIMENSIONS				

NOTE :

1 MATERIAL :  
 HOUSING : THERMOPLASTIC, UL94V-0, BLACK COLOR  
 CONTACT : PHOSPHOR BRONZE, THICKNESS=0.20mm.

2 FINISH :  
 CONTACT: 0.254mm [10m"] MIN. GOLD PLATED ON CONTACT AREA  
 2.54mm [100m"] MIN. BRIGHT TIN PLATED ON SOLDER TAIL,  
 1.27mm [50m"] MIN. NICKEL UNDERPLATED OVER ALL

3 APPLICATION :  
 SOLDER TAIL LENGTH 2.6 FOR PCB THICKNESS 1.6±0.1

4 WAVE SOLDER CAPABLE TO 265°C PER TE SPEC 109-202, CONDITION B

5 NO CUMULATIVE TOLERANCE

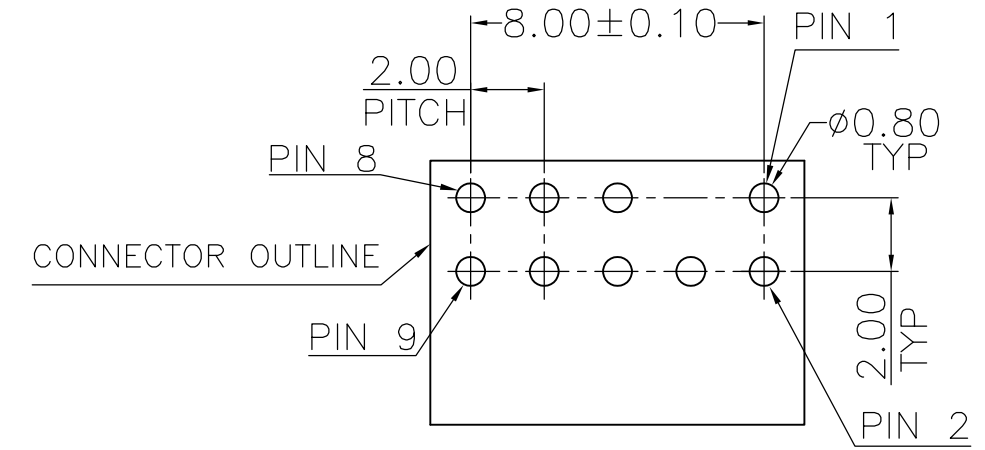
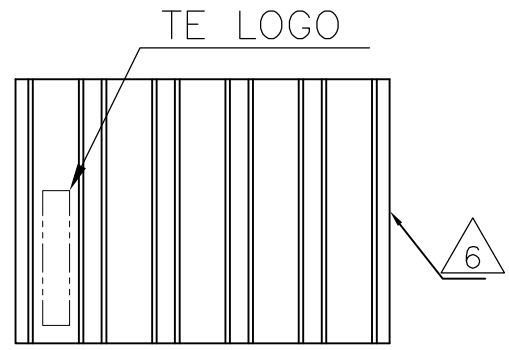
6 DATECODE: YY WW D \*  
 ASS'Y LINE NO.  
 DAY  
 WEEK CODE  
 YEAR

7 QUALIFICATION TEST REPORT: 501-57197

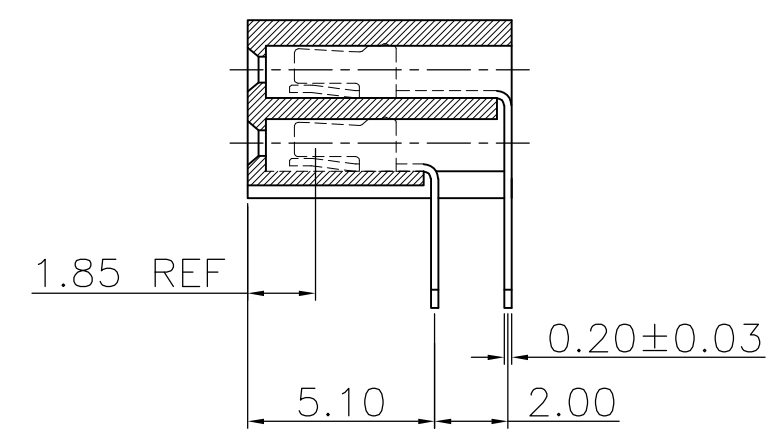
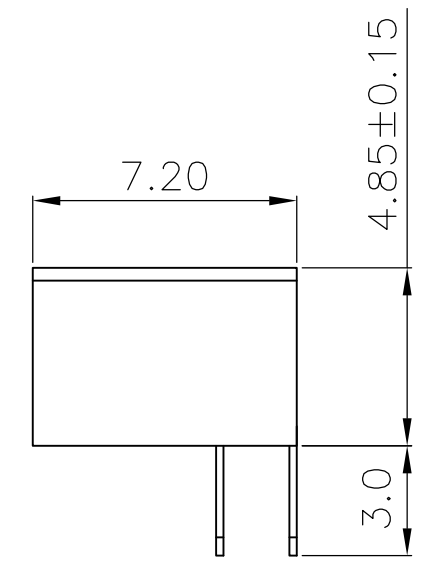
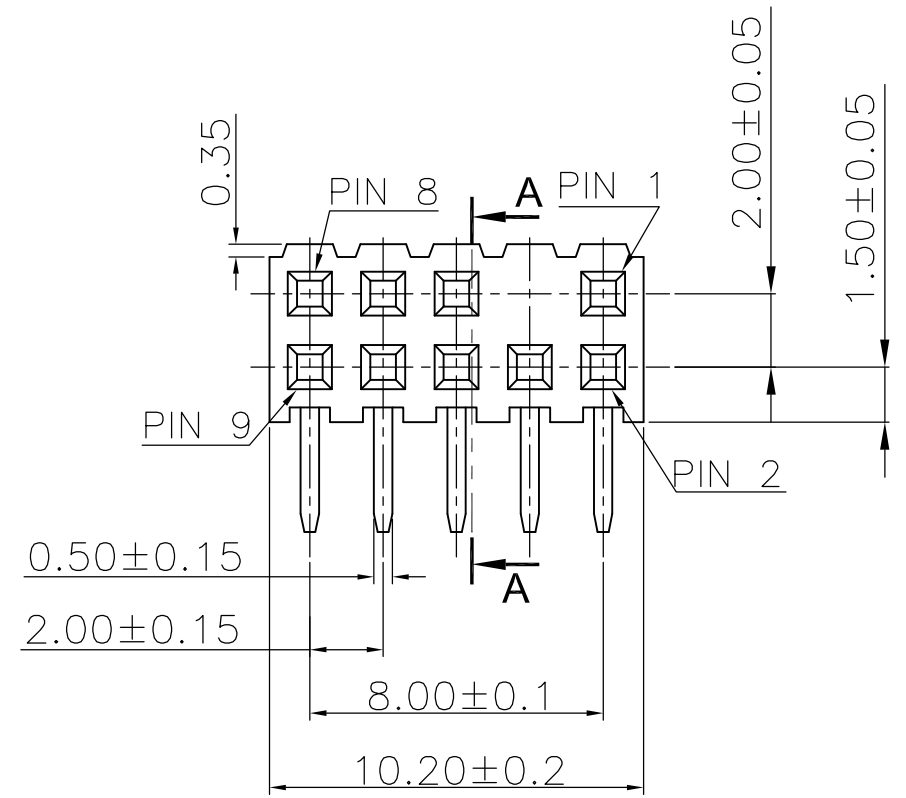
THIS DRAWING IS A CONTROLLED DOCUMENT.		DWN	05JUL2005	TE Connectivity AMPMODU 2.0mm PITCH, RCPT CONN., RIGHT-ANGLE, MOUNT TYPE	
DIMENSIONS: mm		CHK	05JUL2005		
TOLERANCES UNLESS OTHERWISE SPECIFIED:		APVD	05JUL2005		
0 PLC ± 0.5 1 PLC ± 0.2 2 PLC ± 0.1 3 PLC ± 0.05 4 PLC ± - ANGLES ± 3°		NAME			
MATERIAL		PRODUCT SPEC	108-57197	SIZE	A3
FINISH		APPLICATION SPEC		CAGE CODE	00779
1		WEIGHT	-	DRAWING NO	C-1734531
2		CUSTOMER DRAWING		RESTRICTED TO	-
		SCALE	1:1	SHEET	1 OF 3
		REV	D4		

THIS DRAWING IS UNPUBLISHED  
 © COPYRIGHT - By - ALL RIGHTS RESERVED.  
 RELEASED FOR PUBLICATION

LOC	DIST	REVISIONS			
P	LTR	DESCRIPTION	DATE	DWN	APVD
IR	-	SEE SHEET 1	-	-	-



△ 5 RECOMMENDED PCB LAYOUT  
 TOLERANCE ± 0.05 (TOP VIEW)



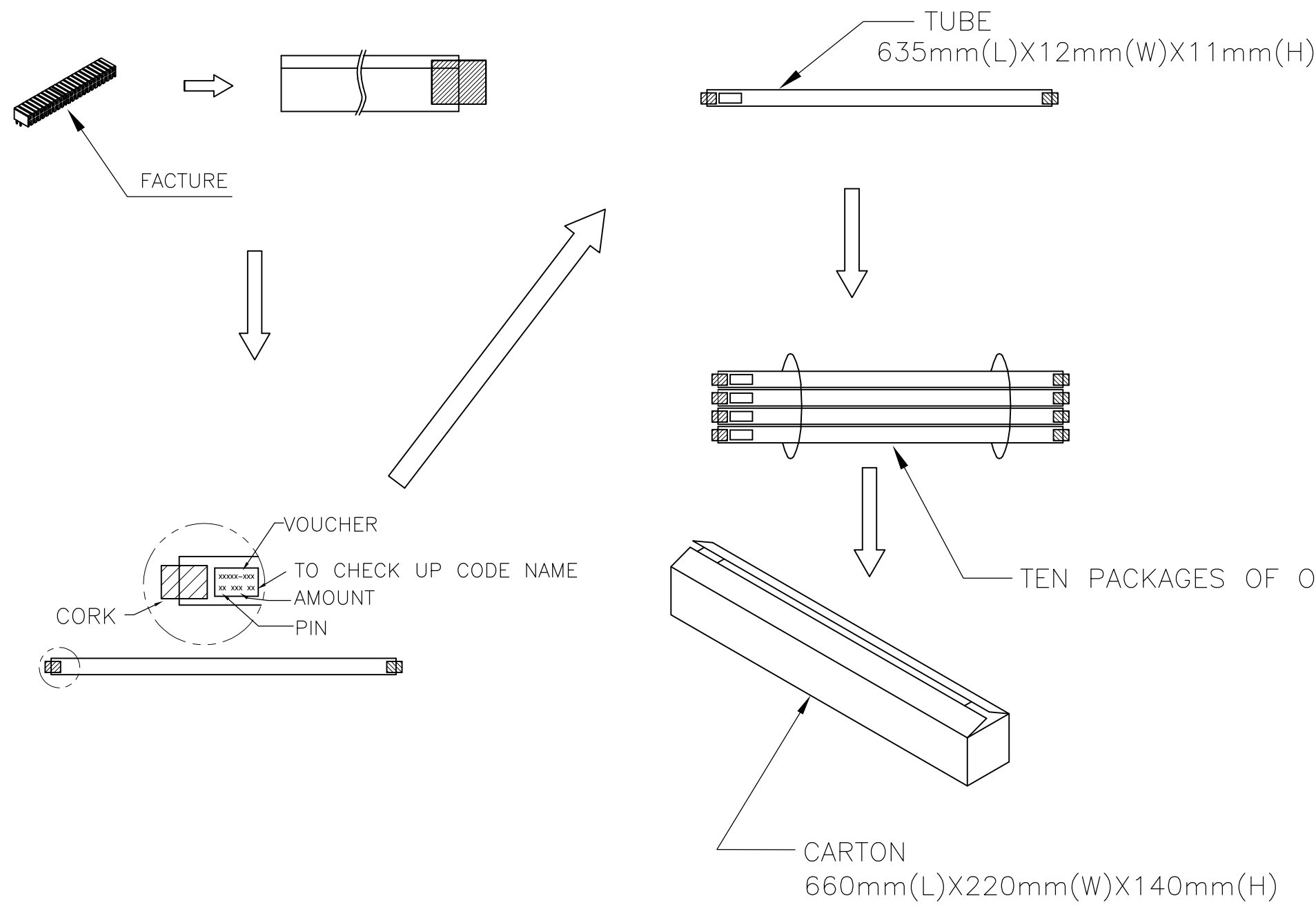
SECTION A-A

9	1734531-9
POSITION NUMBER	PART NUMBER

THIS DRAWING IS A CONTROLLED DOCUMENT.		DWN	O.HU	05JUL2005	TE Connectivity AMPMODU 2.0mm PITCH, RCPT CONN., RIGHT-ANGLE, MOUNT TYPE								
DIMENSIONS: mm		CHK	S.HOU	05JUL2005				NAME					
TOLERANCES UNLESS OTHERWISE SPECIFIED:		APVD	W.J.KE	05JUL2005				PRODUCT SPEC					
0 PLC ± 0.5 1 PLC ± 0.2 2 PLC ± 0.1 3 PLC ± 0.05 4 PLC ± - ANGLES ± 3°		APPLICATION SPEC		108-57197									
MATERIAL	SEE SHEET 1	FINISH	SEE SHEET 1	WEIGHT	-	SIZE	A3	CAGE CODE	00779	DRAWING NO	C-1734531	RESTRICTED TO	-
CUSTOMER DRAWING				SCALE	1:1	SHEET	2 OF 3	REV	D4				

THIS DRAWING IS UNPUBLISHED  
 © COPYRIGHT - By - ALL RIGHTS RESERVED.

LOC	DIST	REVISIONS			
P	LTR	DESCRIPTION	DATE	DWN	APVD
	-	SEE SHEET 1	-	-	-



QTY	TUBE/ CARTON	PCS/ TUBE	POSITION NUMBER	PART NUMBER			
OBSOLETE	1050	150	7	80	8	-	0
	1050	150	7	78	7	-	8
	1050	150	7	76	7	-	6
	1200	150	8	74	7	-	4
	1200	150	8	72	7	-	2
	1200	150	8	70	7	-	0
	1200	150	8	68	6	-	8
	1350	150	9	66	6	-	6
	1350	150	9	64	6	-	4
	1350	150	9	62	6	-	2
	1500	150	10	60	6	-	0
	1500	150	10	58	5	-	8
	1500	150	10	56	5	-	6
	1650	150	11	54	5	-	4
OBSOLETE	1650	150	11	52	5	-	2
	1800	150	12	50	5	-	0
	1800	150	12	48	4	-	8
	1950	150	13	46	4	-	6
	1950	150	13	44	4	-	4
	2100	150	14	42	4	-	2
	2100	150	14	40	4	-	0
	2250	150	15	38	3	-	8
OBSOLETE	2400	150	16	36	3	-	6
	2550	150	17	34	3	-	4
	2700	150	18	32	3	-	2
	2850	150	19	30	3	-	0
	3150	150	21	28	2	-	8
OBSOLETE	3300	150	22	26	2	-	6
	3600	150	24	24	2	-	4
	3900	150	26	22	2	-	2
	4350	150	29	20	2	-	0
	4800	150	32	18	1	-	8
	5400	150	36	16	1	-	6
	6150	150	41	14	1	-	4
	7200	150	48	12	1	-	2
	8550	150	57	10	1	-	0
	8550	150	57	9			1734531-9
OBSOLETE	10650	150	72	8			1734531-8
	14400	150	96	6			1734531-6
	21600	150	144	4			1734531-4

THIS DRAWING IS A CONTROLLED DOCUMENT.		DWN	O.HU	05JUL2005	 TE Connectivity	NAME AMPMODU 2.0mm PITCH, RCPT CONN., RIGHT-ANGLE, MOUNT TYPE				
DIMENSIONS: mm		CHK	S.HOU	05JUL2005						
TOLERANCES UNLESS OTHERWISE SPECIFIED:		APVD	W.J.KE	05JUL2005						
0 PLC ± 0.5 1 PLC ± 0.2 2 PLC ± 0.1 3 PLC ± 0.05 4 PLC ± - ANGLES ± 3°		PRODUCT SPEC	108-57197							
MATERIAL SEE SHEET 1		FINISH SEE SHEET 1		APPLICATION SPEC	SIZE	CAGE CODE	DRAWING NO	RESTRICTED TO		
		WEIGHT		-		A3	00779	C-1734531	-	
CUSTOMER DRAWING					SCALE	1:1	SHEET	3 OF 3	REV	D4