

Connector Location A

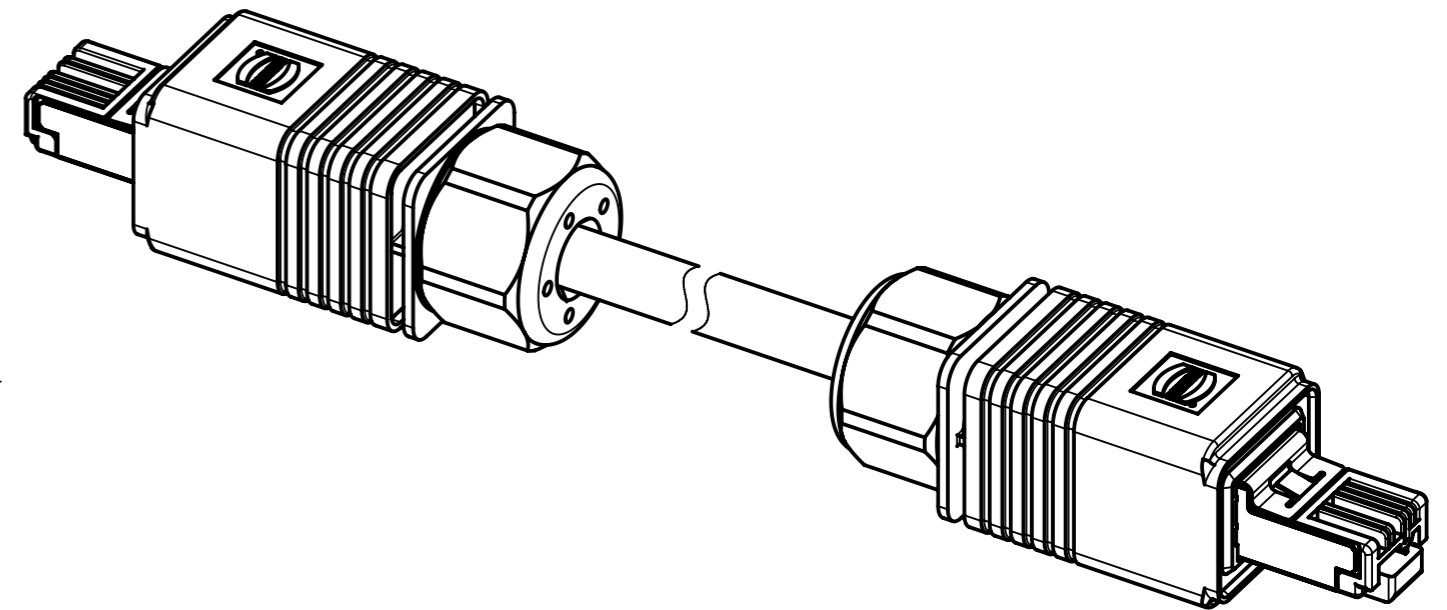
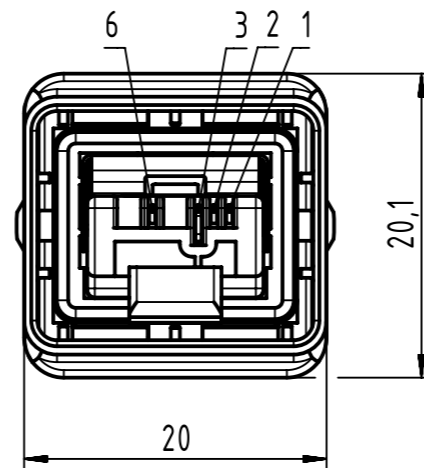
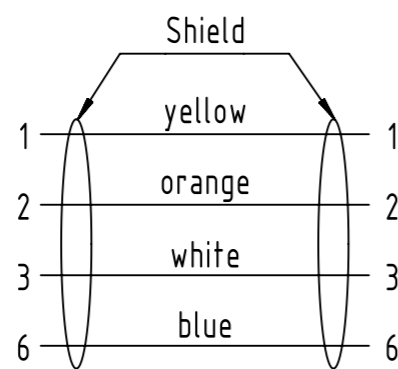
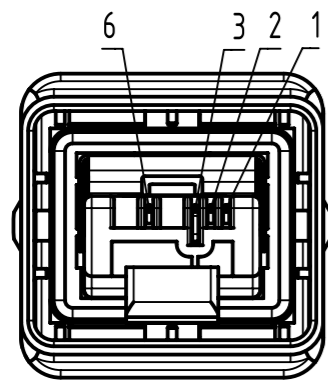
Connector Location B



X
male

Y
male

Loading-Plan



- Temperature range: -40°C...+70°C

	All rights reserved	Created by STOCHECIC Stochei	Inspected by COSTEA Costea	Standardisation MUNTEANV Muntean	Date 2018-06-12	State Final Release
	Department HCS - RO	Title HARTING PushPull RJ45 Cable Assembly			Doc-Key / ECM-Nr. 100155667/UGD/010/C 500000135964	
HARTING Customised Solutions D-32339 Espelkamp		Type TB	Number 0945745XXXX		Rev. C	Page 1/2

Cont. no.	Part no.	Type of cable	Dim. a[m]
44	09457450083	RJ45 Ethernet stranded cable, AWG22/7, 2x2x0.75, outdoor, PVC, Cat. 5+, black	100
43	09457450082		90
42	09457450081		80
41	09457450080		70
40	09457450079		60
39	09457450078		50
38	09457450077		40
37	09457450076		30
36	09457450075		20
35	09457450074		15
34	09457450073		10
33	09457450072		9
32	09457450071		8
31	09457450070		7
30	09457450069		6
29	09457450068		5
28	09457450067		4
27	09457450066		3
26	09457450065		2
25	09457450064		1.5
24	09457450063		1
23	09457450062		0.5
22	09457450061		RJ45 Ethernet trailing cable, AWG22/7, 2x2x0.75, PUR, Cat. 5+, green
21	09457450060	90	
20	09457450059	80	
19	09457450058	70	
18	09457450057	60	
17	09457450056	50	
16	09457450055	40	
15	09457450054	30	
14	09457450053	20	
13	09457450052	15	
12	09457450051	10	
11	09457450031	9	
10	09457450030	8	
9	09457450029	7	
8	09457450028	6	
7	09457450027	5	
6	09457450026	4	
5	09457450025	3	
4	09457450024	2	
3	09457450023	1.5	
2	09457450022	1	
1	09457450021	0.5	

Cont. no.	Part no.	Type of cable	Dim. a[m]
88	09457451183	RJ45 Ethernet stranded cable, 4xAWG22/7, PVC, Cat. 5+, green	100
87	09457451182		90
86	09457451181		80
85	09457451180		70
84	09457451179		60
83	09457451178		50
82	09457451177		40
81	09457451176		30
80	09457451175		20
79	09457451174		15
78	09457451173		10
77	09457451172		9
76	09457451171		8
75	09457451170		7
74	09457451169		6
73	09457451168		5
72	09457451167		4
71	09457451166		3
70	09457451165		2
69	09457451164		1.5
68	09457451163		1
67	09457451162		0.5
66	09457451161		RJ45 Ethernet standard cable, AWG22/1, 2x2x0.64, PVC, Cat. 5+, green
65	09457451160	90	
64	09457451159	80	
63	09457451158	70	
62	09457451157	60	
61	09457451156	50	
60	09457451155	40	
59	09457451154	30	
58	09457451153	20	
57	09457451152	15	
56	09457451151	10	
55	09457451131	9	
54	09457451130	8	
53	09457451129	7	
52	09457451128	6	
51	09457451127	5	
50	09457451126	4	
49	09457451125	3	
48	09457451124	2	
47	09457451123	1.5	
46	09457451122	1	
45	09457451121	0.5	

	All rights reserved Department HCS - RO	Created by STOCHECIC Stocheći	Inspected by COSTEA Costea	Standardisation MUNTEANV Muntean	Date 2018-06-12	State Final Release	Doc-Key / ECM-Nr. 100155667/UGD/010/C 500000135964
HARTING Customised Solutions D-32339 Espelkamp		Title HARTING PushPull RJ45 Cable Assembly		Type TB	Number 0945745XXXX	Rev. C	Page 2/2

Mouser Electronics

Authorized Distributor

Click to View Pricing, Inventory, Delivery & Lifecycle Information:

HARTING:

[09457450023](#) [09457450025](#) [09457450027](#) [09457450051](#) [09457450053](#) [09457451123](#) [09457451125](#)
[09457451127](#) [09457451151](#) [09457451164](#) [09457451166](#) [09457451168](#) [09457451173](#) [09457451175](#) [09457451183](#)
[09457451154](#) [09457451165](#) [09457451156](#) [09457450066](#) [09457450064](#) [09457451176](#) [09457451153](#)