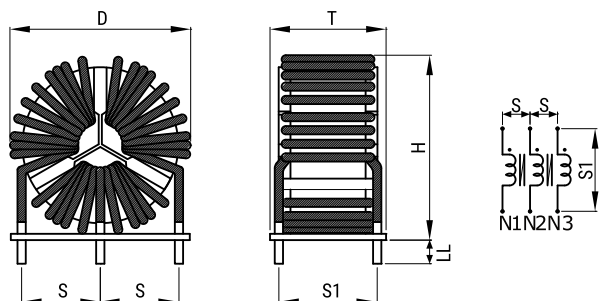


**KEMET Part Number: SC-20-SE10J**  
(UALSC20SE10J00)

KEMET, SC Three Phase, AC Line Filters, Common Mode, 940 uH



**Dimensions**

<b>D</b>	49mm MAX
<b>T</b>	30mm MAX
<b>H</b>	51mm MAX
<b>LL</b>	5mm +/-1mm
<b>S</b>	20mm NOM

**Packaging Specifications**

<b>Packaging:</b>	Tray
<b>Packaging Quantity:</b>	60
<b>Weight:</b>	113 g

**General Information**

<b>Series:</b>	SC Three Phase
<b>Style:</b>	Through-Hole
<b>Features:</b>	High Impedance
<b>RoHS:</b>	Yes
<b>Notes:</b>	Lead Spacing (S/S1) Are For Reference Only.
<b>Miscellaneous:</b>	Temperature Rise Maximum: 90 K

**Specifications**

<b>Voltage AC:</b>	250 VAC/VDC
<b>Voltage DC:</b>	250 VDC
<b>Inductance:</b>	0.94 mH (10 kHz)
<b>Current:</b>	20 A
<b>Temperature Range:</b>	-25/+120°C
<b>DC Resistance:</b>	7 mOhms