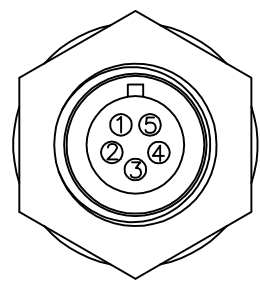
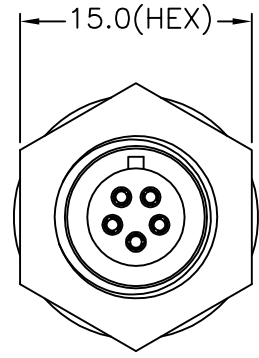
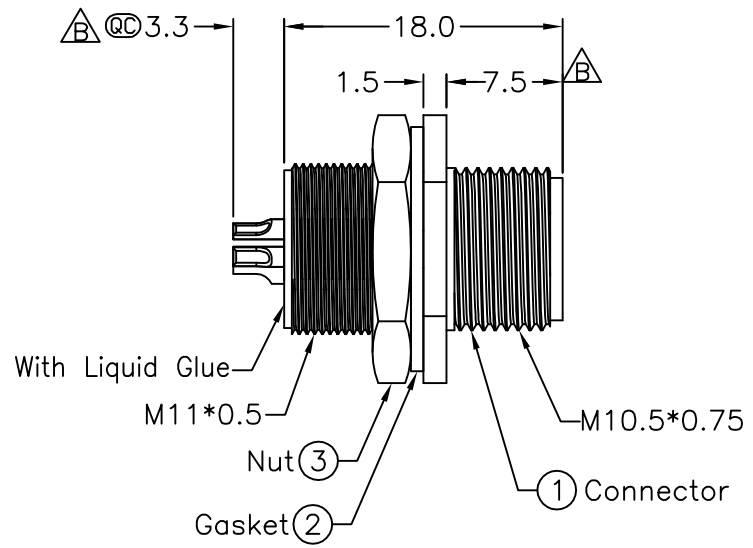
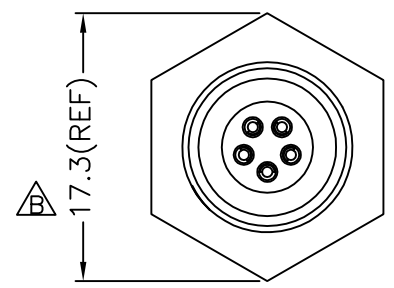
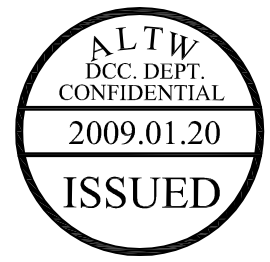
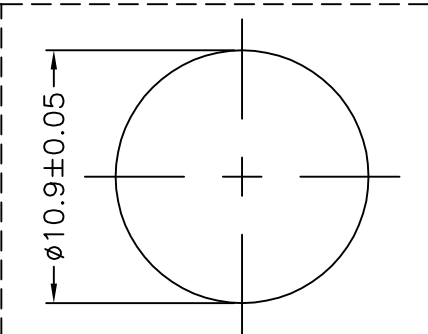


REV.	ECN NO.	DATE	SIGN	DESCRIPTION
B	LE3-910085	2009/01/16	Vicky	Update the drawing.

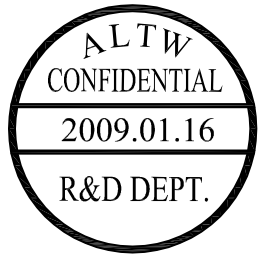
THIS DOCUMENT IS SUBJECT TO CHANGE WITHOUT NOTICE. IT IS CONFIDENTIAL AND A PROPERTY OF Amphenol LTW. DISCLOSURE TO THIRD PARTY HAS TO BE AUTHORIZED BY Amphenol LTW.



Pin Assignments
Front View



Recommended Panel Cut-Out



Notes:

- * @C Important Dimension.
- * Waterproof Rate:IP67.
- * Connector:Black,Nylon+GF.
- * Female Pin:Copper Alloy,Gold Plated.
- * Gasket:Black,EPDM.
- * Nut:Copper Alloy,Nickel Plated.
- * Shield:Copper Alloy,Nickel Plated.
- * For Panel Thickness Max:6.0mm.
- * @B Nut Torque:4~6 Kgf.cm

UNIT:mm		TITLE M10.5 Conn Panel Screw 5P M Conn F Pin	Amphenol LTW		ITEM NO 105-05PMFS-SH7001	DRAWN BY Vicky	DATE 2009/01/16
TOLERANCE .X ±0.25 .XX ±0.1 .XXX ±0.05 ANGLES ±1'		SCALE Free	SHEET 1 OF 1	安費諾亮泰企業股份有限公司	DWG NO 105-05PMFS-SH7001	CHECKED BY Ivan	DATE 2009/01/16
	REV. B	SIZE A4	@C :Inspection Item		CUSTOMER ALTW	APPROVED BY Luke	DATE 2009/01/16