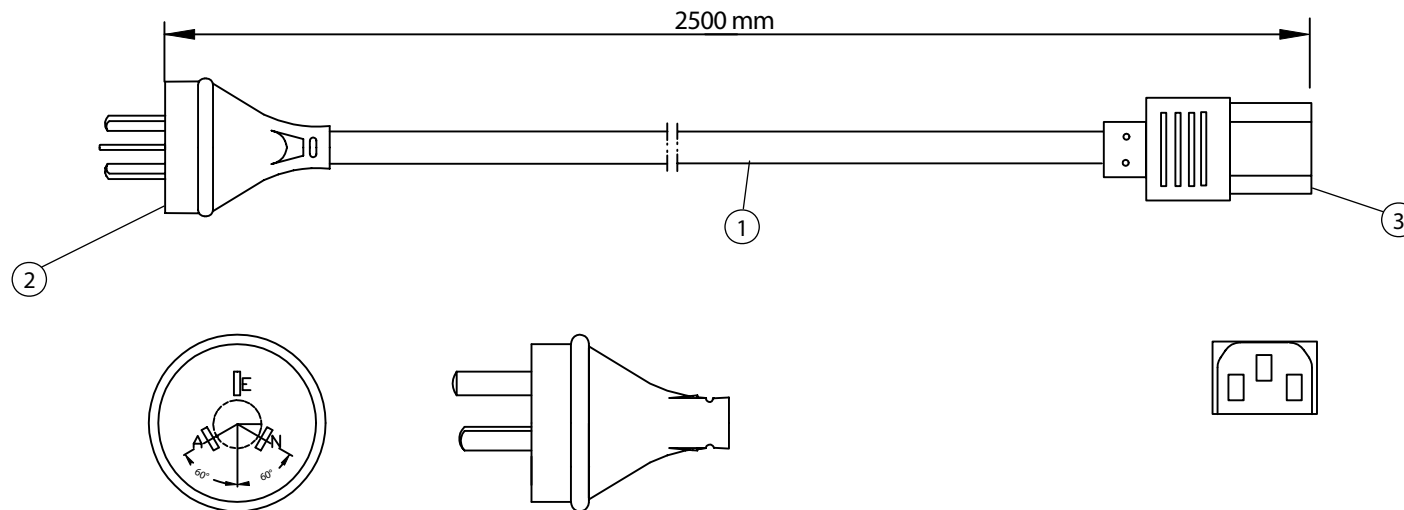


THESE DRAWINGS ARE THE PROPERTY OF QUALTEK ELECTRONICS AND NOT TO BE REPRODUCED FOR OR COMMUNICATED TO A THIRD PARTY WITHOUT THE EXPRESS WRITTEN PERMISSION OF AN OFFICER OF QUALTEK ELECTRONICS.

REVISION			
REV.	DESCRIPTION	DATE	APPROVED
B	RoHS Compliancy	06-01-06	D.P.
C	Cordage and Notes Revision	09-04-07	D.P.
D	Cordage Update	10-20-08	LY



NOTES:

1. CORDAGE: SAA, 3 x 1.0mm, UNSHIELDED, CEE COLOR CODE, TEMP. RATING 70°C, RATING: 250V 10A, JACKET COLOR: BLACK
2. PLUG: AS 3112/AUSTRALIAN
3. CONNECTOR: IEC 60320 C-13
4. APPROVALS: AUSTRALIA, NEW ZEALAND
5. ROHS COMPLIANT

**CONTROLLED**

Dim range (mm)		Tolerance +/- (mm)		<b>Qualtek Electronics Corp.</b> PPC DIVISION		
0-1		0.15		Part Number: <b>374003-A01</b> <span style="border: 1px solid green; padding: 2px;">RoHS Compliant</span>		
1-6		0.20		Description: <b>POWER CORD</b>		
6-18		0.30		UNIT: mm      REV. D		
18-50		0.50		Drawn / Date      Checked / Date      Approved / Date		
50-120		0.70		B.ZHANG      10-15-01      JJH / 10-15-01		
120-250		0.90				
250-500		1.20				

# Mouser Electronics

Authorized Distributor

Click to View Pricing, Inventory, Delivery & Lifecycle Information:

[Qualtek:](#)

[374003-A01-L1](#)