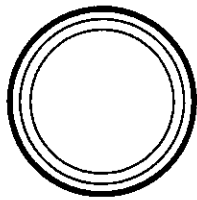


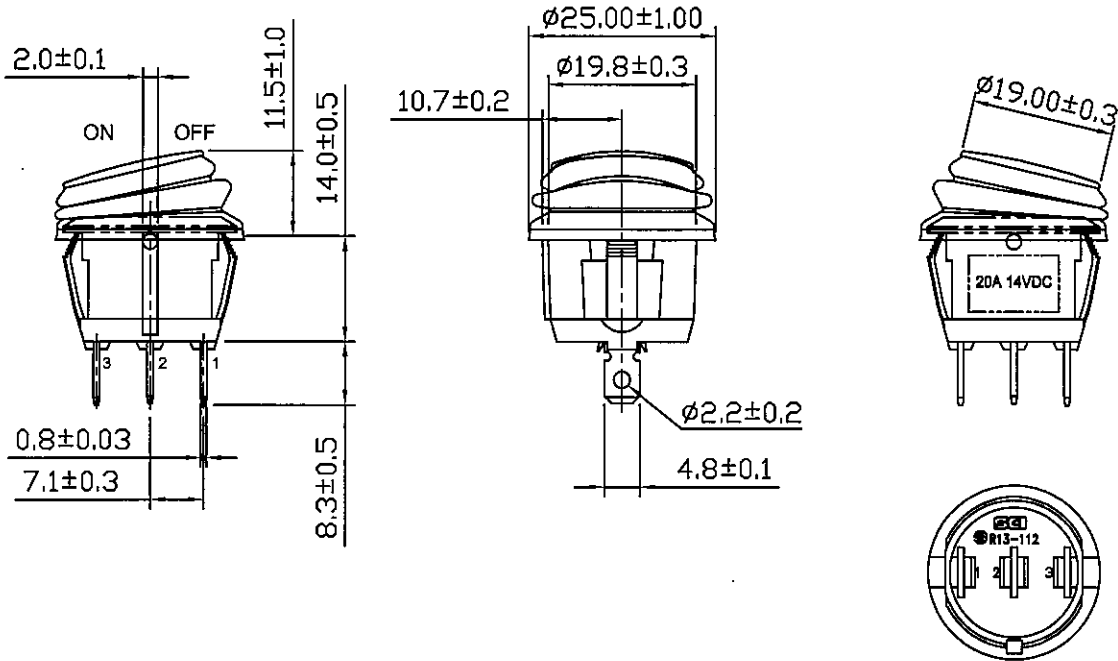
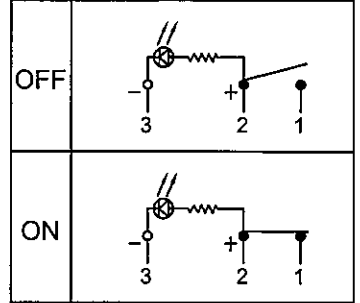
Rating	20A 14VDC	Mounting Hole	
Contact Resistance	50m ohm Max.		
Insulation Resistance	DC 500V 100M ohm Min.		
Dielectric Strength	AC 1500V 1 minute		
Operation Temperature	-25°C ~ 85°C		
Switch Function	3P SPST ON-OFF (LED dependent)		



***MATERIAL:**

Frame: Nylon 66 (94-V2), Black
 Actuator: PC (94-V2), Blue
 Waterproof rubber: Silicone
 Terminals: Silver plated, Copper alloy
 Hot Stamping: None
 Waterproof: IP65
 LED color: Blue

Circuit Diagram



C8/R13/R13-112B8-02(1823562)_1

05/20/13	曹盈芳	依公司規定追加SCI Logo, 本體Rating改爲20A 14VDC			△		
Date	Name	Description			NO		
Drawn	Checked	Approved	SCI BOM NO.	1823562	Model Name	ROCKER SWITCH	
曹盈芳		<i>王/0/0</i>	Customer No.		Model No.	R13-112B8-02	
05/20/13		<i>5/20/13</i>	Unit	mm	Shin Chin Industrial Co., Ltd.		
						Rev.	1