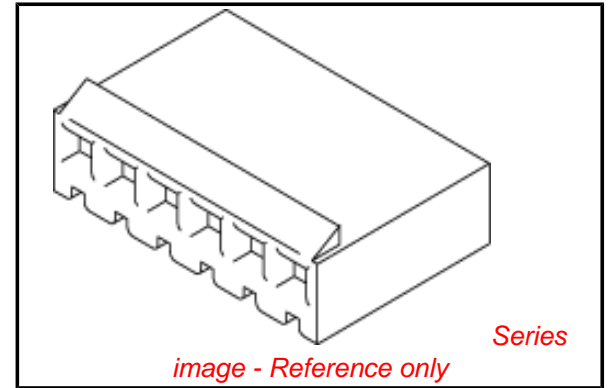


PLEASE CHECK WWW.MOLEX.COM FOR LATEST PART INFORMATION

Part Number: [0009524034](#)
Status: **Active**
Overview: [kk](#)
Description: 3.96mm (.156") Pitch KK® Crimp Housing, Female, Friction Ramp, 3 Circuits

Documents:

3D Model	Product Specification PS-5239-006 (PDF)
Drawing (PDF)	Product Specification PS-5239-007 (PDF)
Product Specification PS-5239-002 (PDF)	Product Specification PS-5239-010 (PDF)
Product Specification PS-5239-003 (PDF)	Product Specification PS-5239-011 (PDF)
Product Specification PS-5239-004 (PDF)	RoHS Certificate of Compliance (PDF)
Product Specification PS-5239-005 (PDF)	



Agency Certification

CSA	LR19980
TUV	R72090224
UL	E29179

General

Product Family	Crimp Housings
Series	5239
Overview	kk
Product Name	KK®

Physical

Circuits (maximum)	3
Color - Resin	Natural
Flammability	94V-2
Gender	Female
Glow-Wire Compliant	No
Lock to Mating Part	Yes
Material - Resin	Nylon
Number of Rows	1
Packaging Type	Bag
Panel Mount	No
Pitch - Mating Interface (in)	0.156 In
Pitch - Mating Interface (mm)	3.96 mm
Polarized to Mating Part	Yes
Stackable	No
Temperature Range - Operating	-40°C to +105°C

Material Info

Old Part Number	5239-03
-----------------	---------

Reference - Drawing Numbers

Product Specification	PS-5239-002, PS-5239-003, PS-5239-004, PS-5239-005, PS-5239-006, PS-5239-007, PS-5239-010, PS-5239-011, RPS-5239-001
Sales Drawing	SD-5239-N

EU RoHS

ELV and RoHS Compliant
REACH SVHC Contains SVHC: No
Halogen-Free Status

China RoHS



Not Reviewed

Need more information on product environmental compliance?

Email productcompliance@molex.com
 For a multiple part number RoHS Certificate of Compliance, [click here](#)

Please visit the [Contact Us](#) section for any non-product compliance questions.

Search Parts in this Series

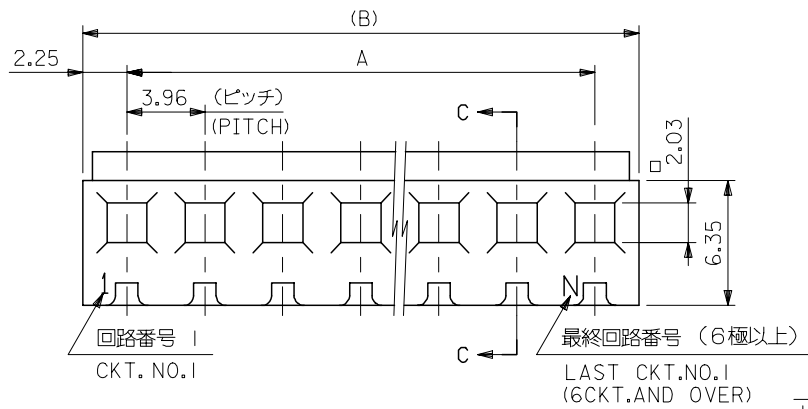
[5239Series](#)

Mates With

Right Angle PCB Header, [5274](#) [5272](#) ,
 Vertical PCB Header [5271](#) , [5273](#)

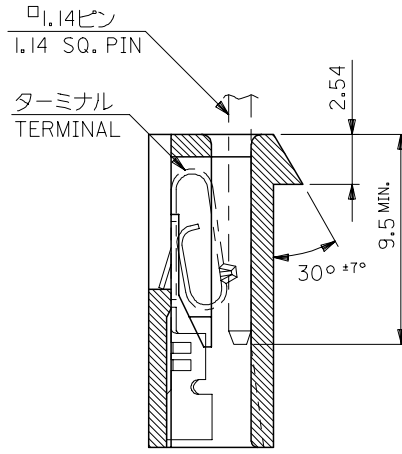
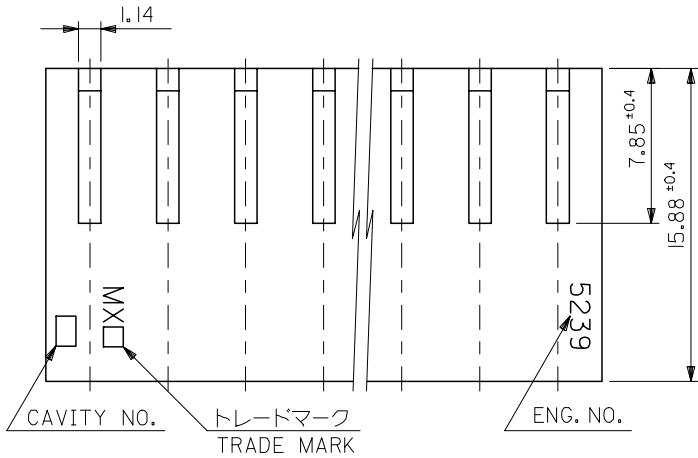
Use With

[5168](#) Cat Ear Crimp Terminals for 22-28 AWG, [5167](#) Cat Ear Crimp Terminals for 18-24 AWG, [2478](#) Crimp Terminal, [2578](#) Crimp Terminal



注記 NOTES

- 1. 適合ターミナル : 2478,2578,5167,5168 シリーズ
APPLICABLE TERMINAL:2478,2578,5167,5168SERIES.
- 2. 反り : 0.2/25.4 MAX.
CAMBER:0.2/25.4MAX.



SECT. C-C

79.74	75.24 ±0.4	09-52-4204	5239-20	20
71.82	67.32 ±0.35	▲ -4184	▲ -18	18
67.86	63.36 ±0.3	-4174	-17	17
63.90	59.40 ±0.3	-4164	-16	16
59.94	55.44 ±0.3	-4154	-15	15
55.98	51.48 ±0.3	-4144	-14	14
52.02	47.52 ±0.3	-4134	-13	13
48.06	43.56 ±0.25	-4124	-12	12
44.10	39.60 ±0.25	-4114	-11	11
40.14	35.64 ±0.25	-4104	-10	10
36.18	31.68 ±0.2	-4094	-09	9
32.22	27.72 ±0.2	-4084	-08	8
28.26	23.76 ±0.2	-4074	-07	7
24.30	19.80 ±0.2	-4064	-06	6
20.34	15.84 ±0.15	-4054	-05	5
16.38	11.88 ±0.15	-4044	-04	4
12.42	7.92 ±0.15	▼ -4034	▼ -03	3
8.46	3.96 ±0.1	09-52-4024	5239-02	2
B	A	EDP NO.	ENG. NO.	極数 CKT.

MATERIAL
ナイロン66 UL94V-2
NYLON66

REVISED EC NO: J2006-3401 DRWNG:SAITOO1 2006/07/19 CHKD:MTANAKA 2006/07/19 APPR:NUKITA 2006/07/20	GENERAL TOLERANCES (UNLESS SPECIFIED)		DIMENSION STYLE MM ONLY		SCALE 4:1	DESIGN UNITS METRIC	THIRD ANGLE PROJECTION	
	10 UNDER	±0.2	DRAWN BY H.HIRAMOTO	DATE 1989/09/15	TITLE KK 3.96 RECEPTACLE HSG			
	10 OVER 30 UNDER	±0.25	CHECKED BY S.A/ M.F	DATE 1996/04/10	APPROVED BY M.FUKUSHIMA 1996/04/10			
	30 OVER	±0.3	MATERIAL NO. SEE CHART		DOCUMENT NO. SD-5239-N		SHEET NO. 1 OF 1	
ANGULAR ±3 °		DRAFT WHERE APPLICABLE MUST REMAIN WITHIN DIMENSIONS						
THIS DRAWING CONTAINS INFORMATION THAT IS PROPRIETARY TO MOLEX INCORPORATED AND SHOULD NOT BE USED WITHOUT WRITTEN PERMISSION								