

NANO SIM CARD PAD

TECHNICAL CHARACTERISTICS

MATERIAL
 INSULATOR: LCP
 FLAMABILITY RATING: UL94-V0
 COLOR: BLACK
 CONTACT MATERIAL: COPPER ALLOY
 CONTACT TYPE: STAMPED
 CONTACT PLATING: GOLD FLASH
 SHIELDING: STAINLESS STEEL NI PLATED
 QUALITY CLASS: 1500 MATING CYLCES

ENVIRONMENTAL
 OPERATING TEMPERATURE: -25°C UP TO +85°C
 COMPLIANCE: LEAD FREE AND ROHS

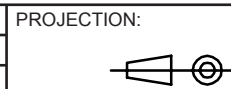
ELECTRICAL
 CURRENT RATING: 1.0A
 WORKING VOLTAGE: 15V DC
 INSULATION RESISTANCE: >500MΩ
 WITHSTANDING VOLTAGE: 500 VAC/min
 CONTACT RESISTANCE: 100mΩ max

SOLDERING
 JEDEC LEAD FREE REFLOW SOLDERING PROCESS

PACKAGING
 TAPE & REEL

Pin No.	Pin Assignment
C1	SUPPLY VOLTAGE (VCC)
C2	RESET(RST)
C3	CLOCK (CLK)
C5	GROUND(GND)
C6	PROGRAMMING VOLTAGE(VPP)
C7	I/O

RoHS Compliant			
G			
F			
E			
D			
C			
B			
A	13-JAN-15	PDF	QP
REV	DATE	FILE	BY



APPROVAL: NPr

GENERAL TOLERANCE
 .X = ± 0.2
 .XX = ± 0.15



DESCRIPTION: NANO SIM - PUSH & PULL TYPE - 6 PINS

WERI PART NO: 693 043 020 611

SIZE
A4

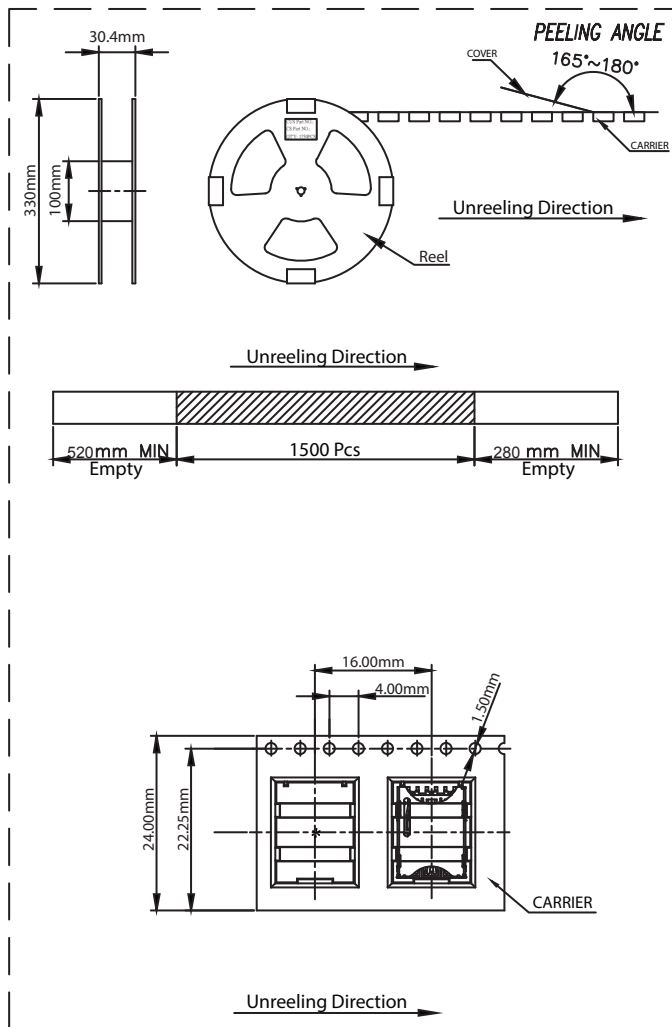
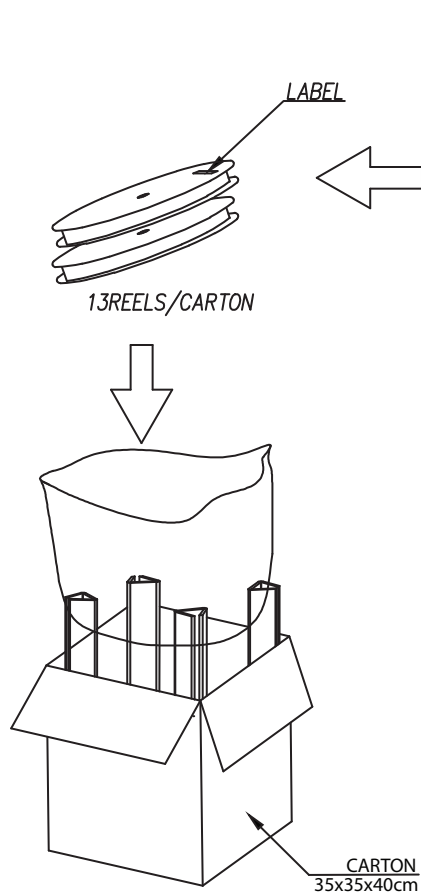
1

2

3

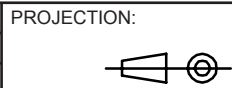
4

5



1500 pcs/reel
13 reels/carton
19500 pcs/carton

RoHS Compliant			
G			
F			
E			
D			
C			
B			
A	13-JAN-15	PDF	QP
REV	DATE	FILE	BY



GENERAL TOLERANCE

.X = +/- 0.2

.XX = +/- 0.15



APPROVAL: NPr

UNIT: MM

SCALE:

SHEET: 2/3

DRAW: QP

DESCRIPTION: NANO SIM - PUSH & PULL TYPE - 6 PINS

WERI PART NO: 693 043 020 611

SIZE
A4

A

B

C

D

1

2

3

4

5

Cautions and Warnings:

This electronic component is designed and developed with the intention for use in general electronics equipments.

Before incorporating the components into any equipments in the field such as aerospace, aviation, nuclear control, submarine, transportation, (automotive control, train control, ship control), transportation signal, disaster prevention, medical, public information network etc. where higher safety and reliability are especially required or if there is possibility of direct damage or injury to human body, Würth Elektronik must be asked for a written approval.

In addition, even electronic component in general electronic equipments, when used in electrical circuits that require high safety, reliability functions or performance, the sufficient reliability evaluation-check for the safety must be performed before by the user before usage.

A

B

C

RoHS Compliant

G				PROJECTION: 	GENERAL TOLERANCE .X = +/- 0.2 .XX = +/- 0.15		
F							
E							
D							
C				APPROVAL: JC	UNIT: MM	DESCRIPTION: DISCLAIMER	SIZE A4
B					SCALE:		
A	10-SEP-14	PDF	QL		SHEET: 3/3	WERI PART NO: DISCLAIMER	
REV	DATE	FILE	BY		DRAW: QL		

D