

**ebm-papst St. Georgen GmbH & Co. KG**

Hermann-Papst-Str. 1
 D-78112 St. Georgen
 Phone +49 (0) 7724 81-0
 Fax +49 (0) 7724 81-1309
 info2@de.ebmpapst.com
 www.ebmpapst.com

Nominal data

Type	ACI 4420 HH	
Phase		1~
Nominal voltage	VAC	230
Nominal voltage range	VAC	195 .. 265
Type of data definition		fa
Speed	min ⁻¹	3350
Power input	W	4.4
Min. ambient temperature	°C	-20
Max. ambient temperature	°C	+75
Air flow	m ³ /h	180
Sound power level	B	5.3
Sound pressure level	dB(A)	42

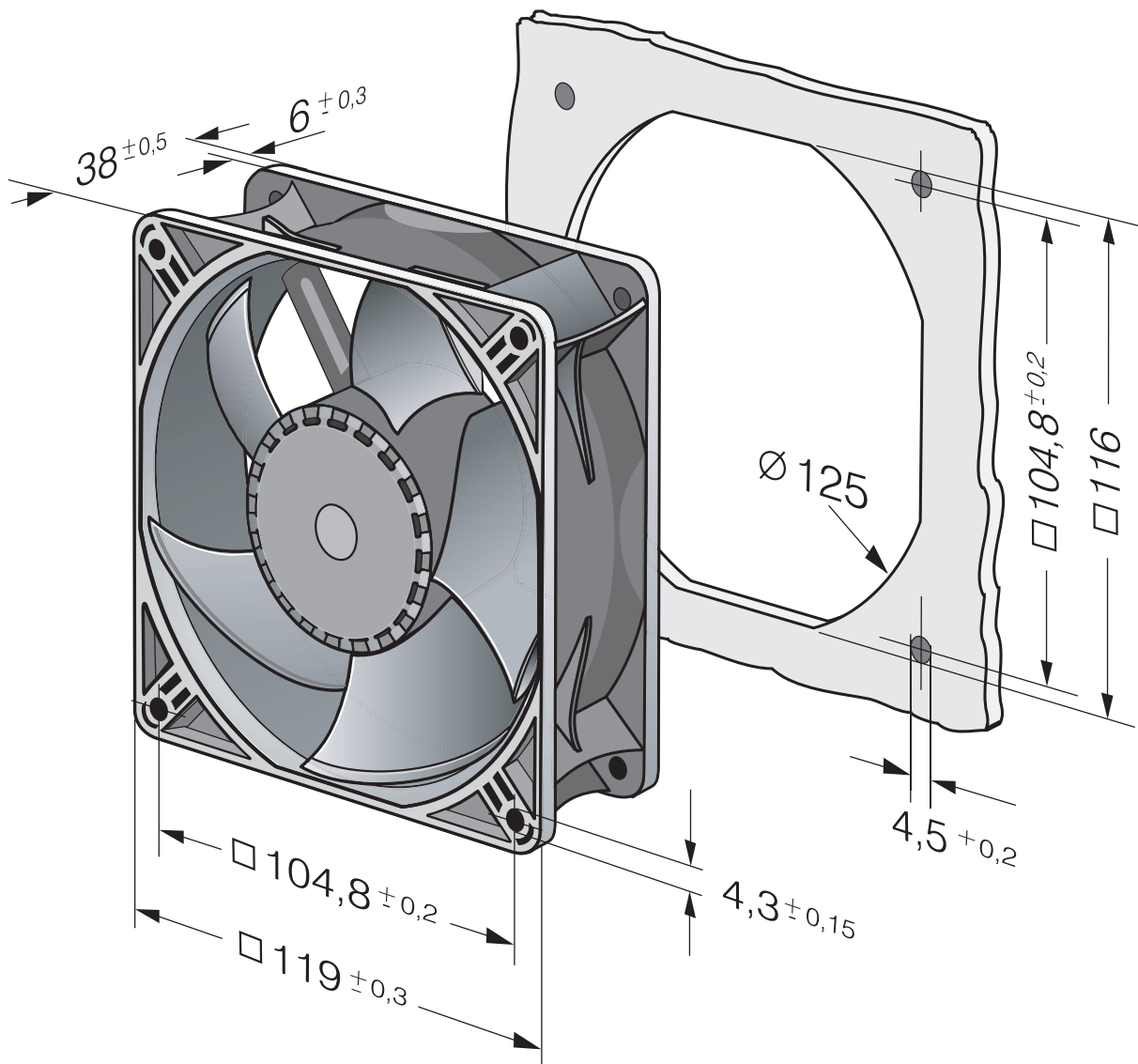
ml = max. load · me = max. efficiency · fa = running at free air · cs = customer specs · cu = customer unit
 Subject to alterations



Technical features

Mass	0.250 kg
Dimensions	119 x 119 x 38 mm
Material of impeller	Fibreglass-reinforced PA plastic
Housing material	Fibreglass-reinforced PBT plastic
Direction of air flow	Air exhaust over bars
Direction of rotation	Clockwise, looking at rotor
Bearing	Ball bearings
Lifetime L10 at 40 °C	62500 h
Lifetime L10 at maximum temperature	30000 h

Product drawing



Charts

