

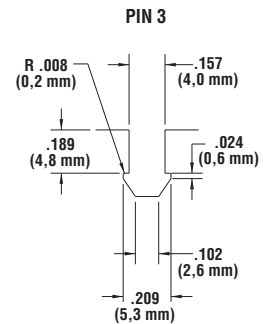
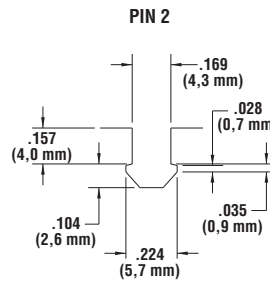
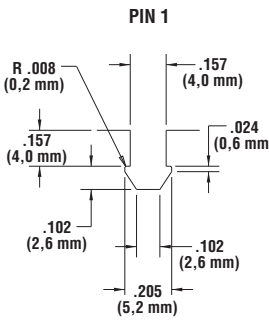
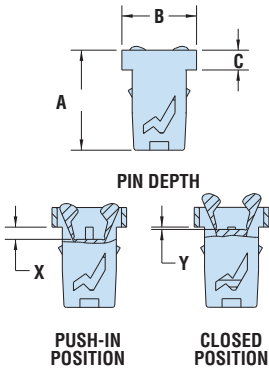


Heyco® Push Latches

- Panels easily open when gently pushed in.
- Easy installation – snaps into hole in panel.
- Enables a single latch to accommodate multiple panel thicknesses.

MOUNTING HOLE Dimensions		PANEL THICKNESS		PART NO.		DESCRIPTION	Mating Pin	PIN DEPTH				PART DIMENSIONS					
				Black				X Push-in	Y Closed	A Length		B Arm Spread		C Head Height			
in.	mm.	in.	mm.			in.	mm.			in.	mm.	in.	mm.	in.	mm.		
.315 x .276	8,0 X 7,0	.08	2,0	14309	DPL-100A	1	.071	1,80	.014	0,35	.59	15,0	.43	11,0	.11	2,9	
				14312	DPL-150F	2	.077	1,95	.020	0,50	.58	14,8	.43	11,0	.11	2,9	
				14313	DPL-700F	2	.073	1,85	.020	0,50	.58	14,8	.43	11,0	.11	2,9	
				14314	DPL-400P	3	.059	1,50	.016	0,40	.58	14,8	.43	11,0	.12	3,1	

Standard color black



Heyco® Snap Latch Rivets



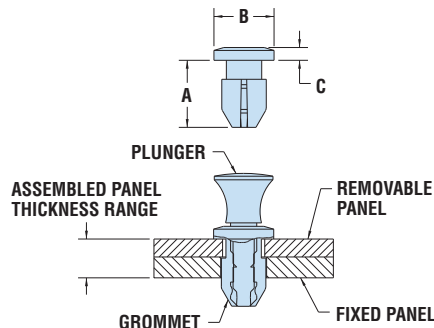
Grommet

- Designed for fast and easy installation and removal - simply push to fasten and pull to release.
- Ideal for frequent maintenance work.
- Typical applications include metal enclosures, telecom equipment, appliances and electrical equipment.

FIXED PANEL HOLE DIAMETER	REMOVABLE PANEL THICKNESS	PART NO.		DESCRIPTION	MATING PLUNGER		PART DIMENSIONS							
		Black	White		Black	White	A Body Length		B Head Diameter		C Head Height			
in.	mm.						in.	mm.	in.	mm.	in.	mm.		
.253	6,4	.043	1,1	12283	12284	HSLG-1M	12261	12262	.31	8,0				
		.063	1,6	12285	12286	HSLG-2M	12263	12264	.33	8,5	.33	8,5	.07	1,8
		.098	2,5	12287	12288	HSLG-3M	12265	12266	.37	9,5				
		.161	4,1	12289	12290	HSLG-4M	12267	12268	.43	11,0				

Standard colors black and white.

Plunger

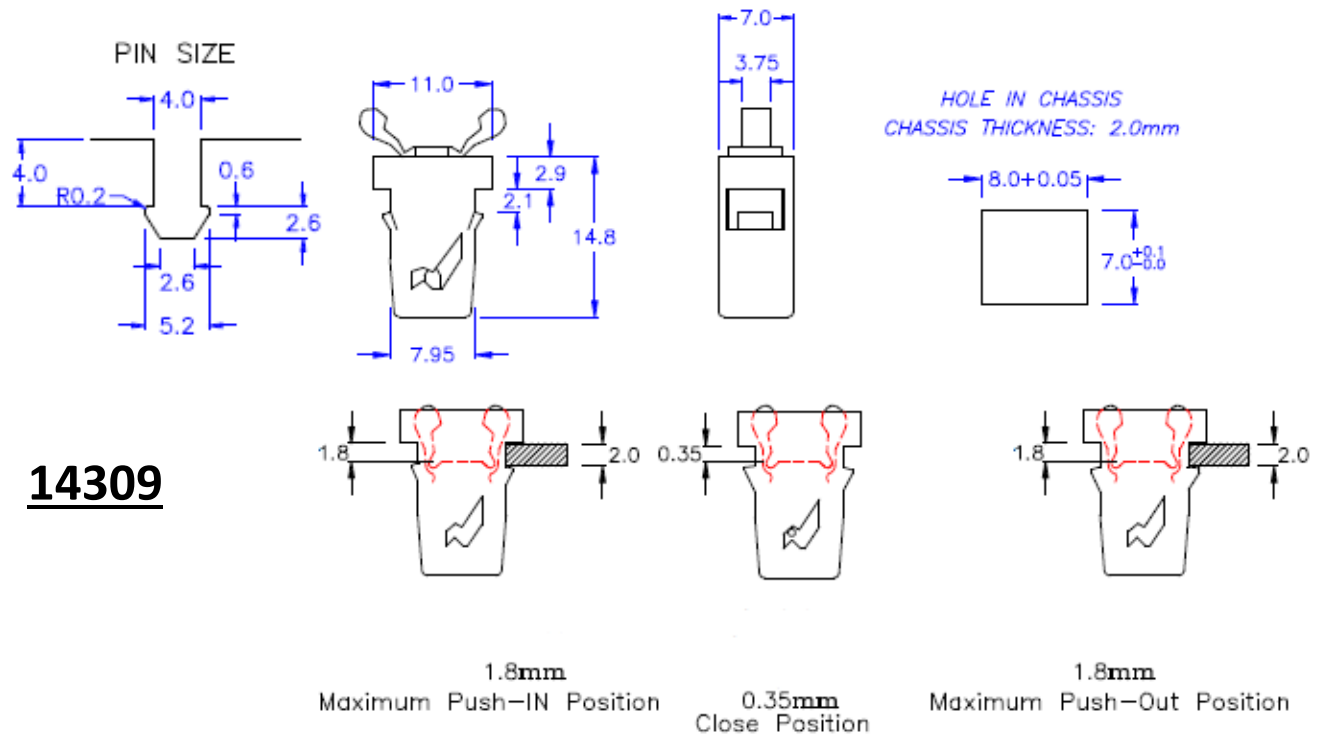


REMOVABLE PANEL HOLE DIAMETER	ASSEMBLED PANEL THICKNESS RANGE	PART NO.		DESCRIPTION	MATING GROMMET					
		Black	White		Black	White				
in.	mm.	Minimum	Maximum							
.237	6,0	.059	1,5	.146	3,7	12261	12262	HSLPB-1M	12283	12284
		.079	2,0	.165	4,2	12263	12264	HSLPB-2M	12285	12286
		.118	3,0	.205	5,2	12265	12266	HSLPB-3M	12287	12288
		.181	4,6	.272	6,9	12267	12268	HSLPB-4M	12289	12290

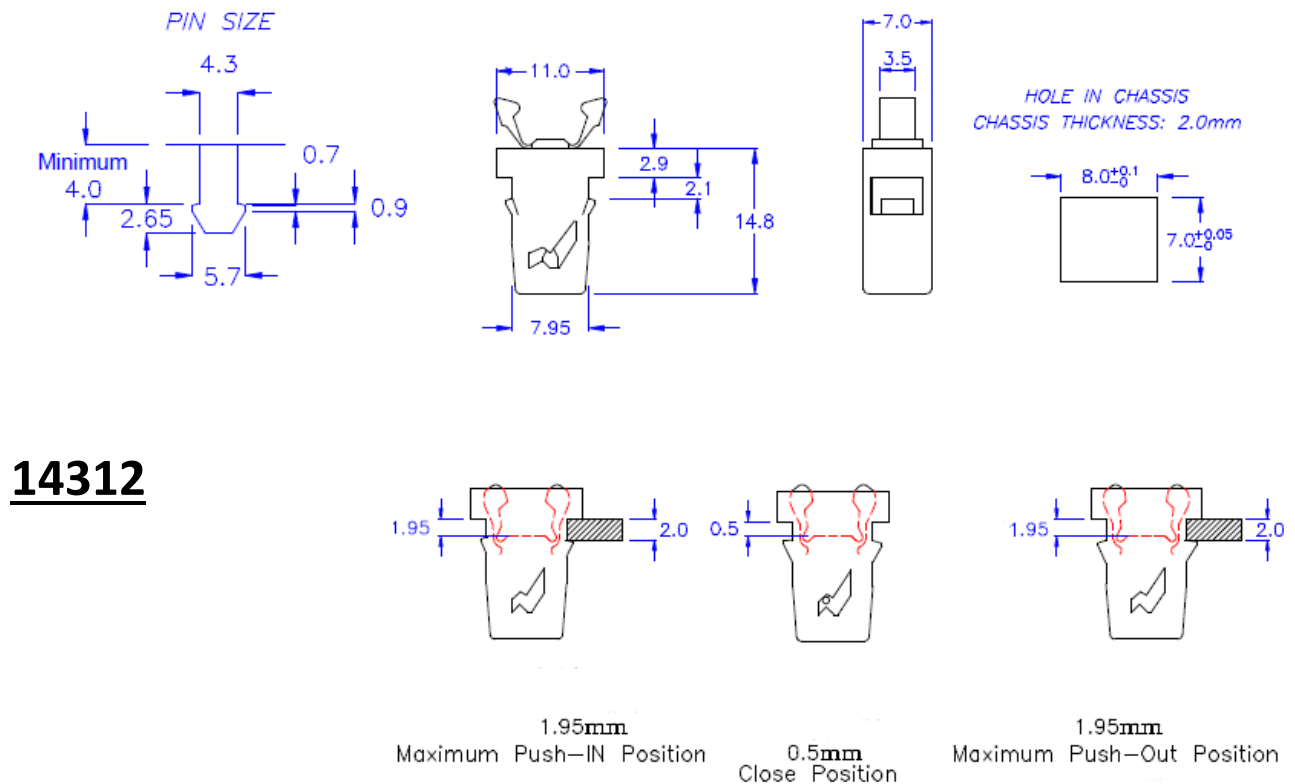
Standard colors black and white.

Material	Nylon 6/6
Flammability Rating	94V-2
Temperature Range	32°F (0°C) to 185°F (85°C)

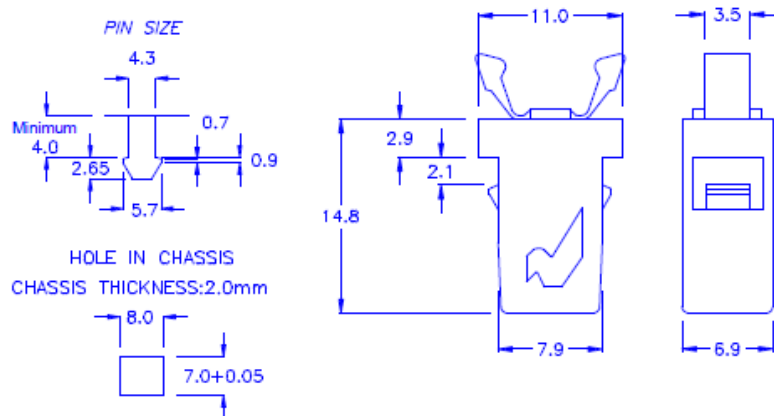
Quick Specs



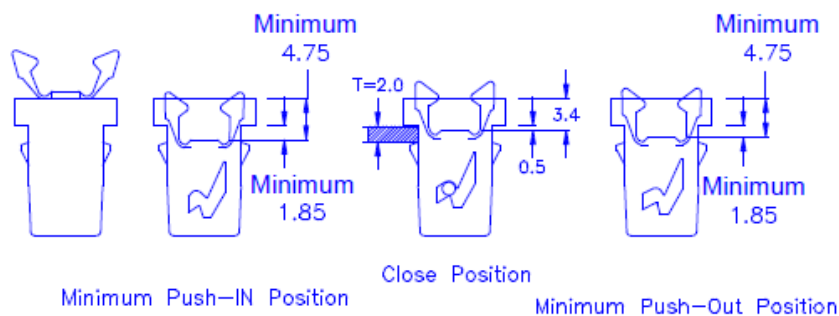
- A- Door latch is opened by pushing-in 1.45mm distance (which is the 1.8mm distance from the bottom of matching clip to the top surface of platform)
- B- The distance between bottom of matching clip to the top surface of platform should be in 0.35mm in closed position



- A- Door latch is opened by pushing-in 1.45mm distance (which is the 1.8mm distance from the bottom of matching clip to the top surface of platform)
- B- The distance between bottom of matching clip to the top surface of platform should be in 0.5mm in closed position

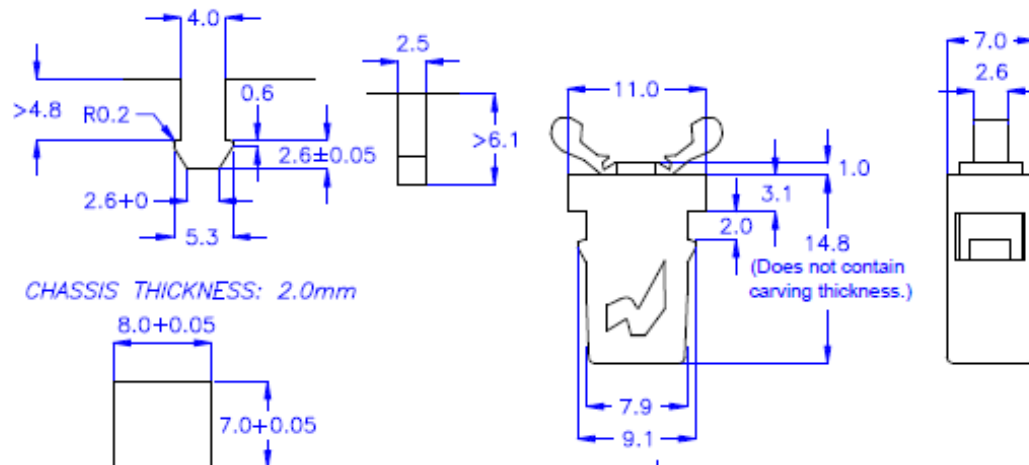


14313

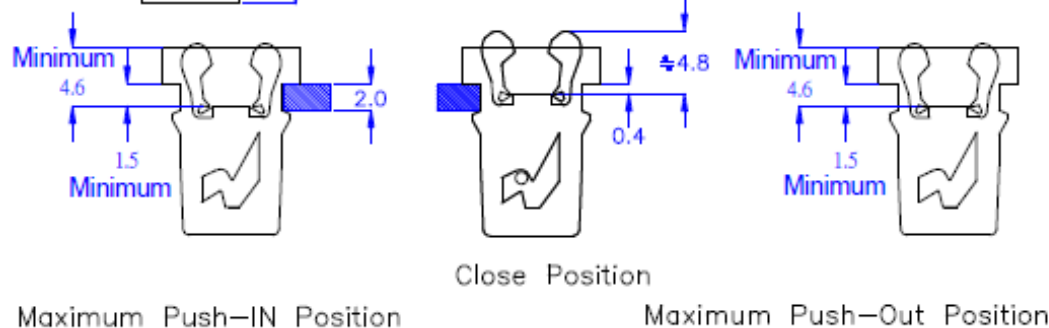


A- Door latch is opened by pushing-in 1.35mm distance (which is the 1.8mm distance from the bottom of matching clip to the top surface of platform)

B- The distance between bottom of matching clip to the top surface of platform should be in 0.5mm in closed position



14314



A- Door latch is opened by pushing-in 1.1mm distance (which is the 1.8mm distance from the bottom of matching clip to the top surface of platform)

B- The distance between bottom of matching clip to the top surface of platform should be in 0.4mm in closed position