

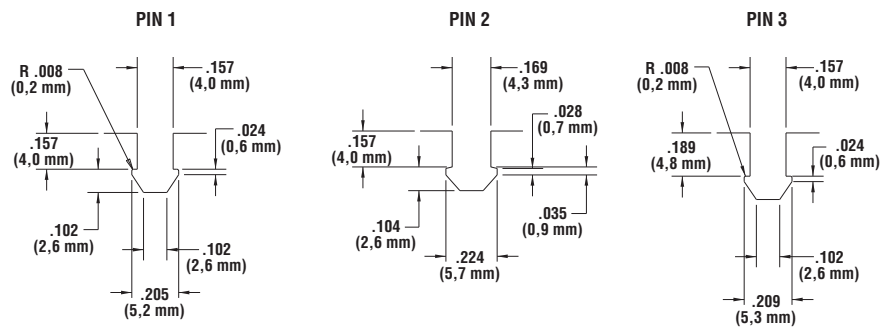
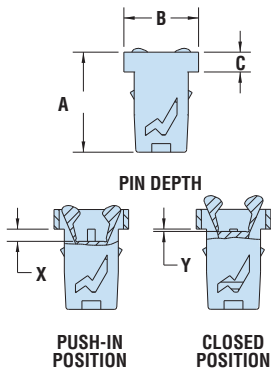


### Heyco® Push Latches

- Panels easily open when gently pushed in.
- Easy installation – snaps into hole in panel.
- Enables a single latch to accommodate multiple panel thicknesses.

| MOUNTING HOLE Dimensions |              | PANEL THICKNESS |     | PART NO. |  | DESCRIPTION | Mating Pin | PIN DEPTH |      |          |      | PART DIMENSIONS |      |              |      |               |     |
|--------------------------|--------------|-----------------|-----|----------|--|-------------|------------|-----------|------|----------|------|-----------------|------|--------------|------|---------------|-----|
| in.                      | mm.          | in.             | mm. | Black    |  |             |            | X Push-in |      | Y Closed |      | A Length        |      | B Arm Spread |      | C Head Height |     |
| .315 x<br>.276           | 8,0 X<br>7,0 | .08             | 2,0 | 14309    |  | DPL-100A    | 1          | .071      | 1,80 | .014     | 0,35 | .59             | 15,0 | .43          | 11,0 | .11           | 2,9 |
|                          |              |                 |     | 14312    |  | DPL-150F    | 2          | .077      | 1,95 | .020     | 0,50 | .58             | 14,8 | .43          | 11,0 | .11           | 2,9 |
|                          |              |                 |     | 14313    |  | DPL-700F    | 2          | .073      | 1,85 | .020     | 0,50 | .58             | 14,8 | .43          | 11,0 | .11           | 2,9 |
|                          |              |                 |     | 14314    |  | DPL-400P    | 3          | .059      | 1,50 | .016     | 0,40 | .58             | 14,8 | .43          | 11,0 | .12           | 3,1 |

Standard color black



### Heyco® Snap Latch Rivets



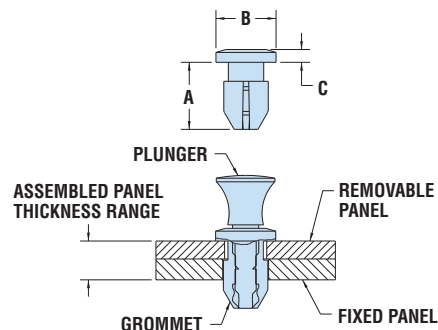
#### Grommet

- Designed for fast and easy installation and removal - simply push to fasten and pull to release.
- Ideal for frequent maintenance work.
- Typical applications include metal enclosures, telecom equipment, appliances and electrical equipment.

| FIXED PANEL HOLE DIAMETER | REMOVABLE PANEL THICKNESS | PART NO. |       | DESCRIPTION | MATING PLUNGER |         | PART DIMENSIONS |       |                 |      |               |     |     |     |  |  |
|---------------------------|---------------------------|----------|-------|-------------|----------------|---------|-----------------|-------|-----------------|------|---------------|-----|-----|-----|--|--|
|                           |                           | Black    | White |             | Black          | White   | A Body Length   |       | B Head Diameter |      | C Head Height |     |     |     |  |  |
| .253                      | 6,4                       | .043     | 1,1   | 12283       | 12284          | HSLG-1M | 12261           | 12262 | .31             | 8,0  |               |     |     |     |  |  |
|                           |                           | .063     | 1,6   | 12285       | 12286          | HSLG-2M | 12263           | 12264 | .33             | 8,5  | .33           | 8,5 | .07 | 1,8 |  |  |
|                           |                           | .098     | 2,5   | 12287       | 12288          | HSLG-3M | 12265           | 12266 | .37             | 9,5  |               |     |     |     |  |  |
|                           |                           | .161     | 4,1   | 12289       | 12290          | HSLG-4M | 12267           | 12268 | .43             | 11,0 |               |     |     |     |  |  |

Standard colors black and white.

#### Plunger

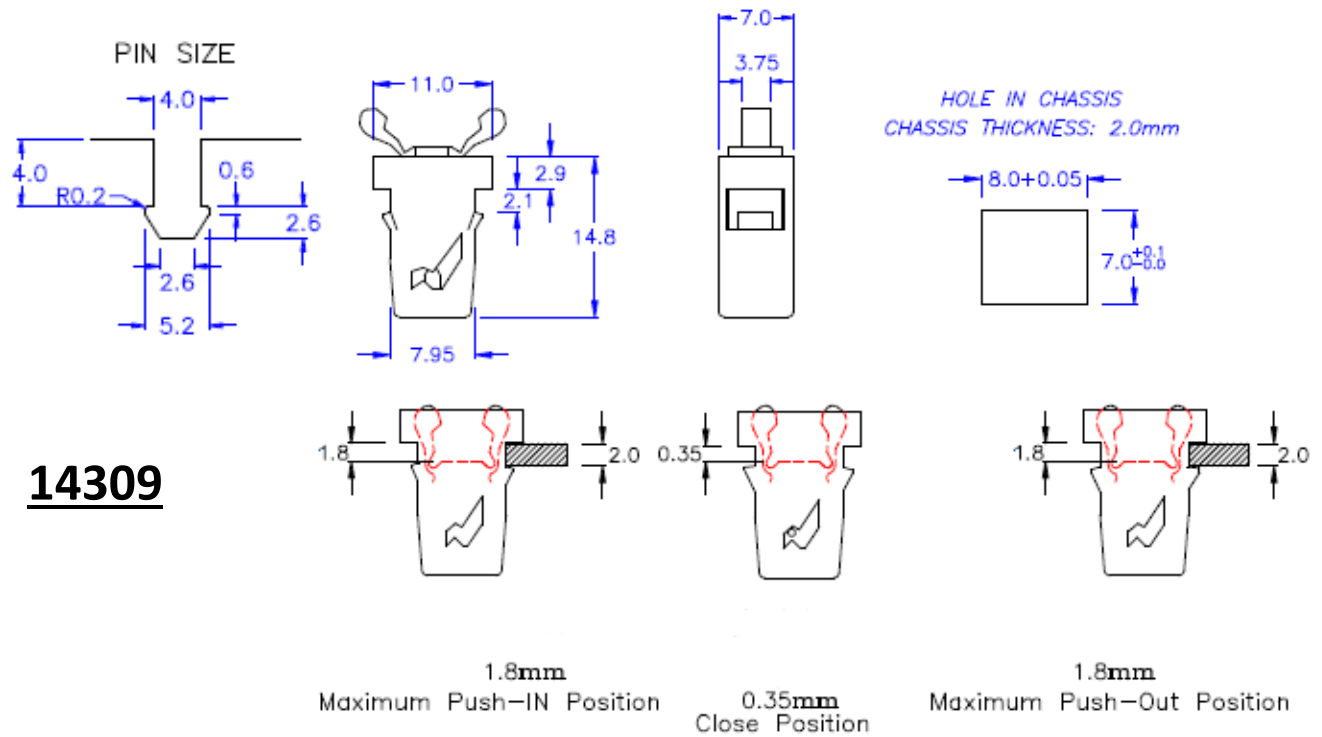


| REMOVABLE PANEL HOLE DIAMETER | ASSEMBLED PANEL THICKNESS RANGE | PART NO. |       | DESCRIPTION | MATING GROMMET |       |       |          |       |       |
|-------------------------------|---------------------------------|----------|-------|-------------|----------------|-------|-------|----------|-------|-------|
|                               |                                 | Black    | White |             | Black          | White |       |          |       |       |
| .237                          | 6,0                             | .059     | 1,5   | .146        | 3,7            | 12261 | 12262 | HSLPB-1M | 12283 | 12284 |
|                               |                                 | .079     | 2,0   | .165        | 4,2            | 12263 | 12264 | HSLPB-2M | 12285 | 12286 |
|                               |                                 | .118     | 3,0   | .205        | 5,2            | 12265 | 12266 | HSLPB-3M | 12287 | 12288 |
|                               |                                 | .181     | 4,6   | .272        | 6,9            | 12267 | 12268 | HSLPB-4M | 12289 | 12290 |

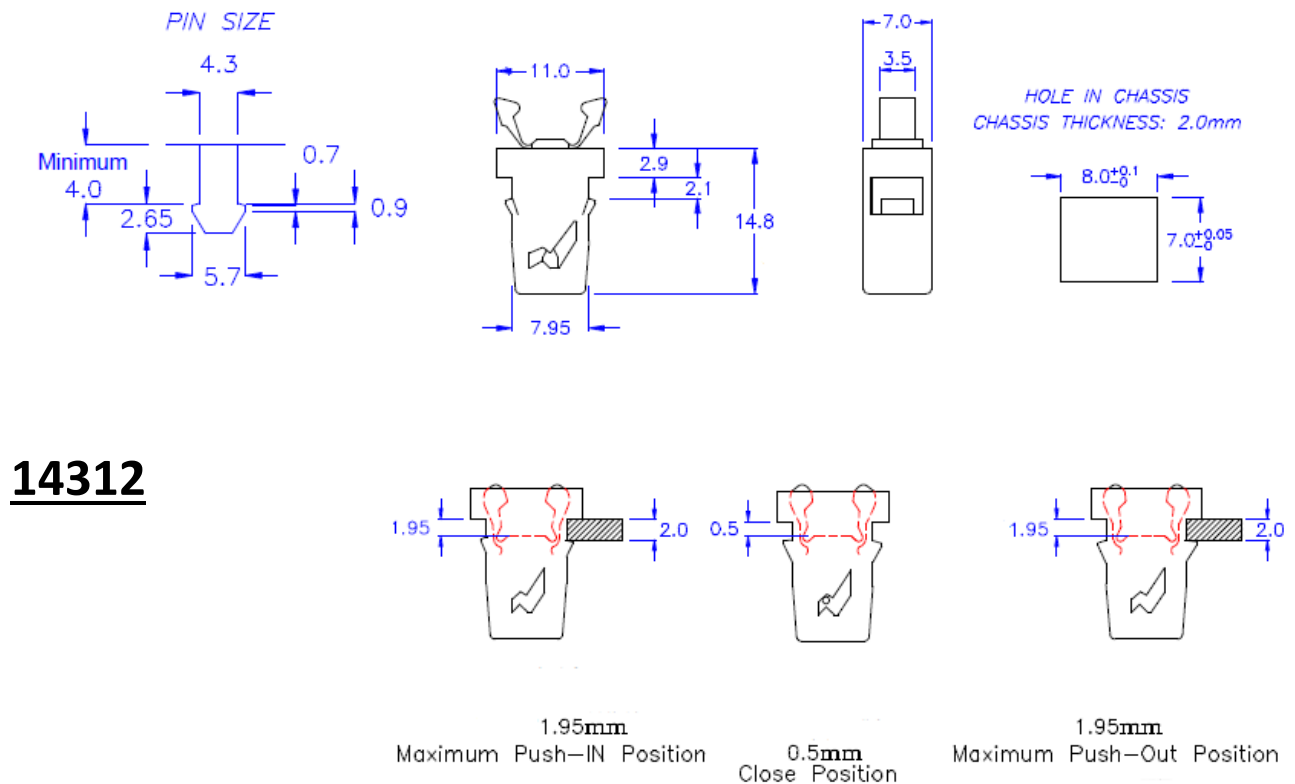
Standard colors black and white.

|                     |                            |
|---------------------|----------------------------|
| Material            | Nylon 6/6                  |
| Flammability Rating | 94V-2                      |
| Temperature Range   | 32°F (0°C) to 185°F (85°C) |

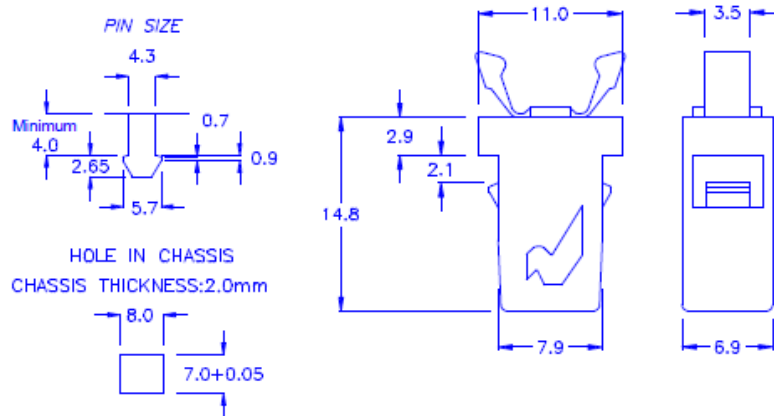
Quick Specs



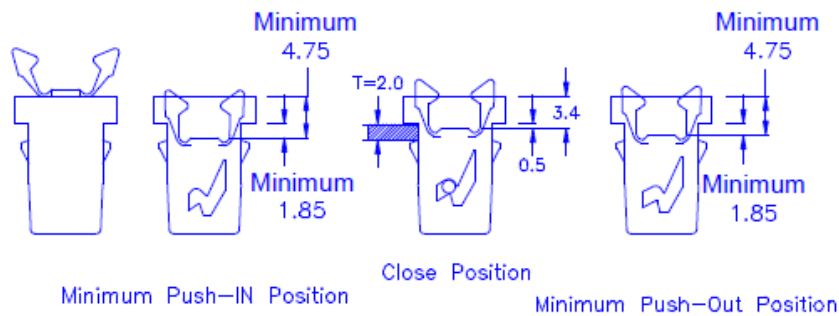
- A- Door latch is opened by pushing-in 1.45mm distance (which is the 1.8mm distance from the bottom of matching clip to the top surface of platform)
- B- The distance between bottom of matching clip to the top surface of platform should be in 0.35mm in closed position



- A- Door latch is opened by pushing-in 1.45mm distance (which is the 1.8mm distance from the bottom of matching clip to the top surface of platform)
- B- The distance between bottom of matching clip to the top surface of platform should be in 0.5mm in closed position

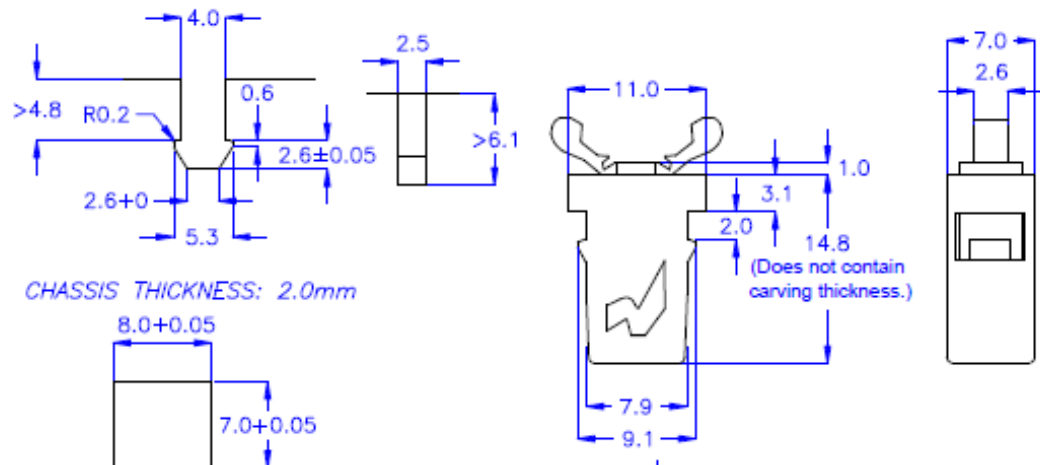


## 14313

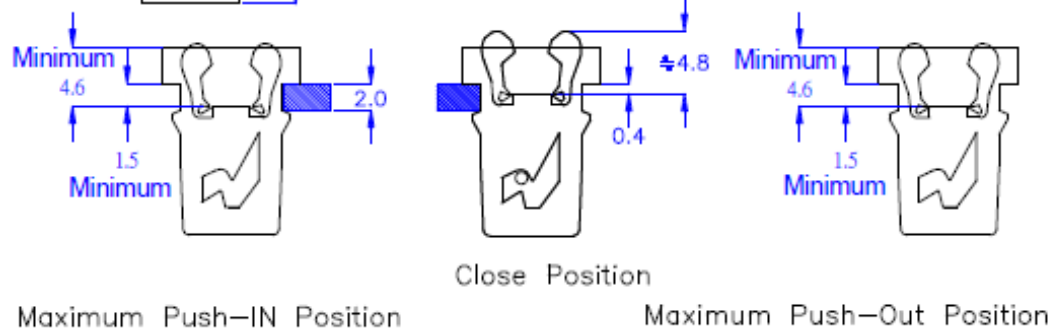


A- Door latch is opened by pushing-in 1.35mm distance (which is the 1.8mm distance from the bottom of matching clip to the top surface of platform)

B- The distance between bottom of matching clip to the top surface of platform should be in 0.5mm in closed position



## 14314



A- Door latch is opened by pushing-in 1.1mm distance (which is the 1.8mm distance from the bottom of matching clip to the top surface of platform)

B- The distance between bottom of matching clip to the top surface of platform should be in 0.4mm in closed position