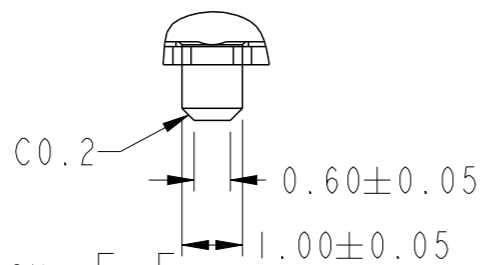
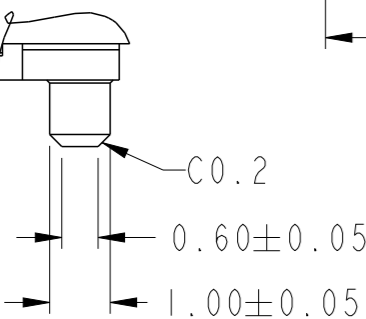
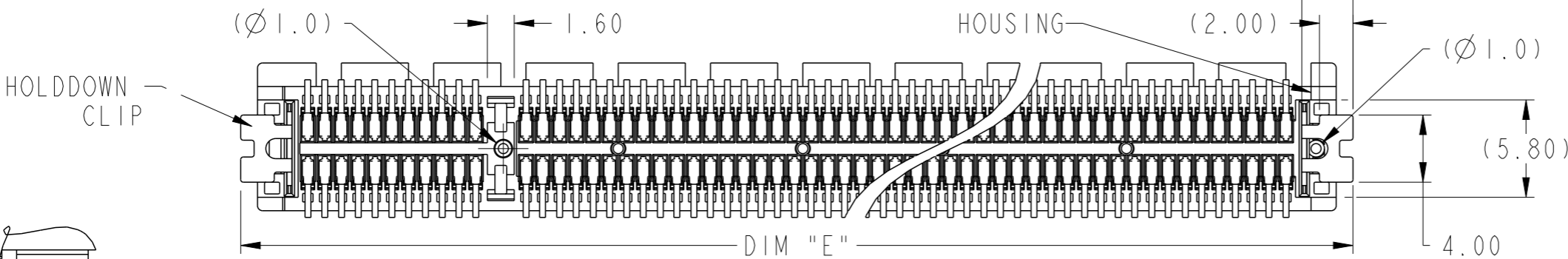
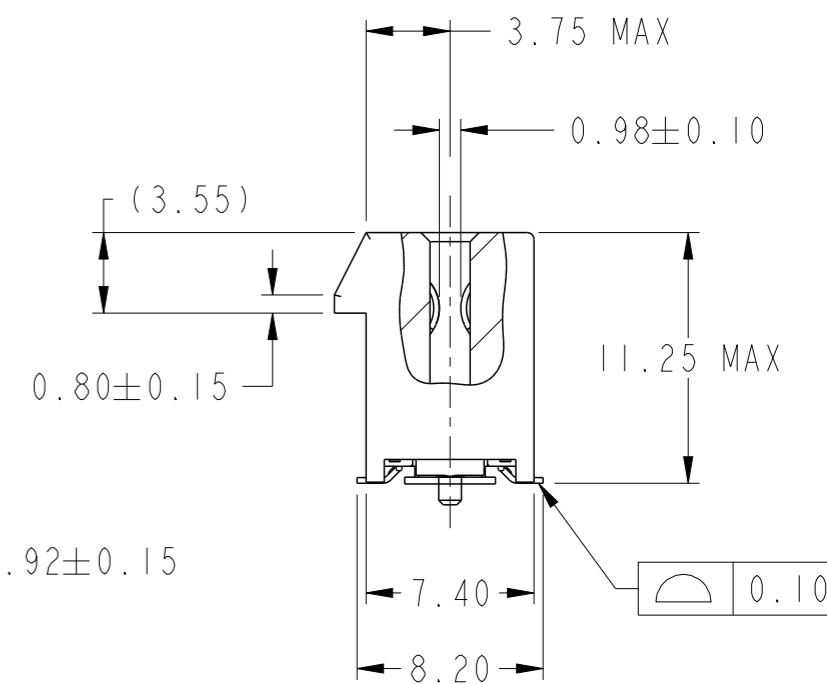
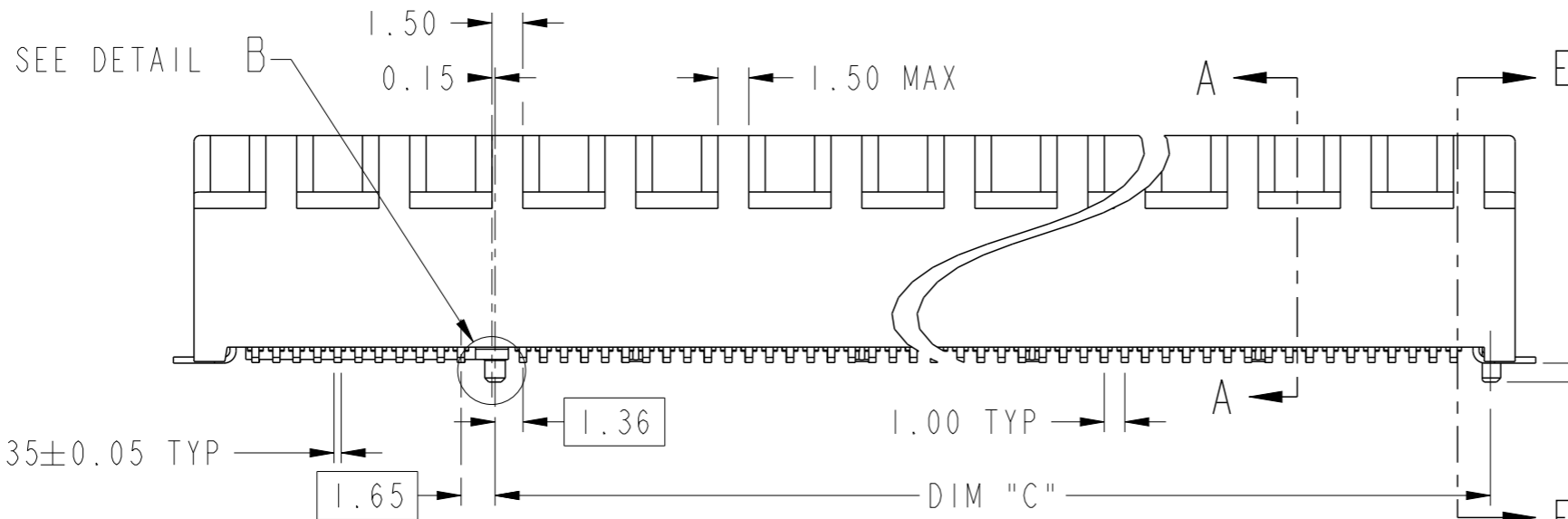
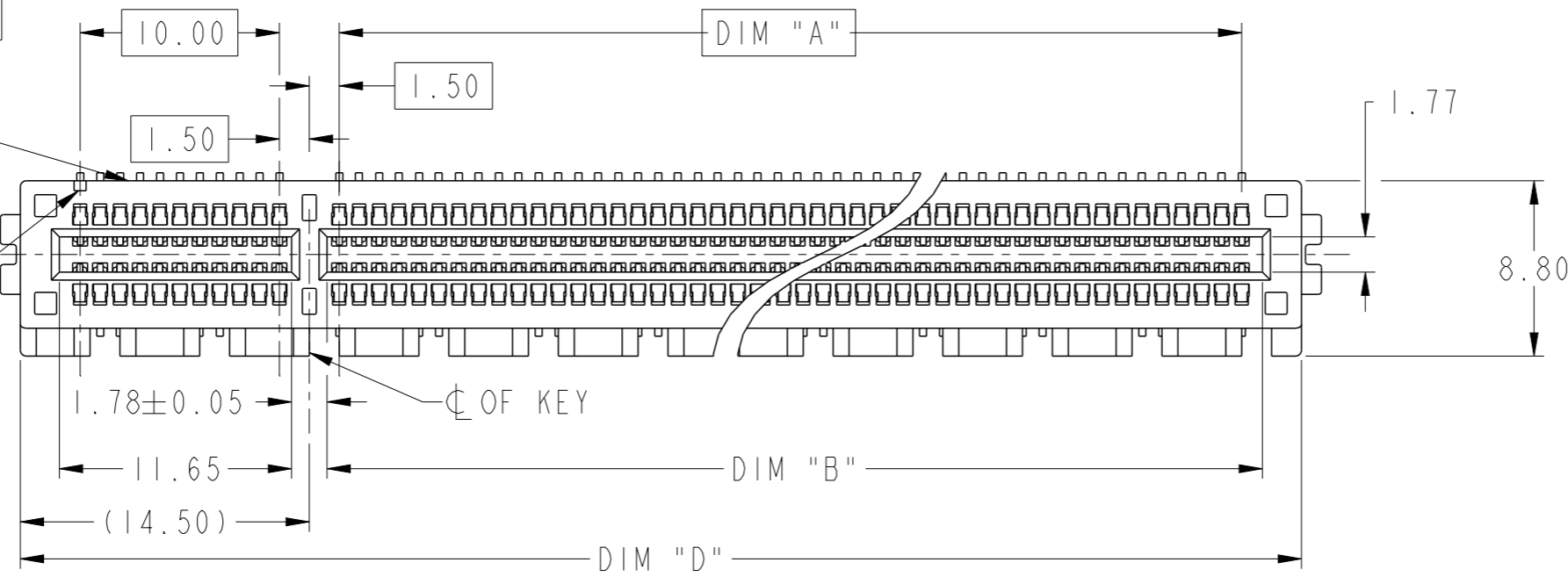


PRODUCT PARTNUMBER
10146065-XXXXLF

PARTNO &
DATECODE

#AI IDENTIFIER



DETAIL B
SCALE 8:1

SECTION E-E
SCALE 8:1

SECTION E-E
SCALE 3:1

| | | | | | |
|---------------|---------------------------------------|---|----------------|------------|-------|
| spec ref | - | dr | Cheong, Matthe | 2017/11/06 | |
| tolerance std | ISO 406 ISO 1101 | eng | Cheong, Matthe | 2018/07/19 | |
| | TOLERANCES UNLESS OTHERWISE SPECIFIED | chr | - | - | |
| surface | linear | appr | Koon-Poh Tay | 2018/07/26 | |
| | 0.X | Amphenol FCI PCI Express 4.0 SMT Type www.fci.com | | | |
| | 0.XX | | | | ±0.30 |
| | 0.XXX | | | | ±0.20 |
| | angular | 0° | ±2° | | |

| | | | | | |
|----------------|-------------|------------------------|---------------|-----------|----------|
| projection | MM | size | A3 | scale | 3:1 |
| product family | PCI express | ecn no | ELX-S-30728-1 | rel level | Released |
| cat. no. | - | Product - Customer Drw | 10146065 | rev | E |
| sheet 1 of 4 | | | | | |

| CONNECTOR LINK WIDTH | POSITION | N | DIM "G" | DIM "F" | PIN "L" |
|----------------------|----------|----|---------|---------|---------|
| X1 | 36 | 6 | 8.15 | 6.00 | B17 |
| X4 | 64 | 20 | 22.15 | 20.00 | B31 |
| X8 | 98 | 37 | 39.15 | 37.00 | B48 |
| X16 | 164 | 70 | 72.15 | 70.00 | B81 |



← I/O PANEL DIRECTION
PRIMARY (COMPONENT) SIDE



I/O PANEL DIRECTION →
SECONDARY (SOLDER) SIDE

Amphenol FCI
© 2016 AFCI

- NO TIE BAR PERMITTED FROM CARD EDGE TO LEADING EDGE OF PAD FOR PIN AI AND PIN "L".
- CHAMFER EDGES MUST BE FREE OF CUTTING BURRS.
- TOLERANCE : ± 0.13

| | | | | | | | | | | |
|---------------------------------------|---------------------|------|----------------|------------------------------------|------------------------|----|----------------------|---------------|-----------|----------|
| spec ref | - | dr | Cheong, Matthe | 2017/11/06 | projection | MM | size | A3 | scale | 2:1 |
| tolerance std | ISO 406 ISO 1101 | eng | Cheong, Matthe | 2018/07/19 | | | ecn no | ELX-S-30728-1 | | |
| TOLERANCES UNLESS OTHERWISE SPECIFIED | | chr | - | - | | | product family | PCI express | rel level | Released |
| surface | linear | 0.X | ±0.30 | Amphenol FCI www.fci.com | PCI Express 4.0 | | SMT Type cat. no. | dwg no | 10146065 | |
| | | 0.XX | ±0.20 | | Product - Customer Drw | | | rev | E | |
| | angular | 0° | ±2° | | sheet 2 of 4 | | | | | |



RECOMMENDED PCB LAYOUT, PAD TYPE

| POSITION | DIMENSIONS | | | | | | | |
|----------------|------------|----------------------|--------------|--------------|--------------|--------------|-------|--------------|
| | A | B $^{+0.15}_{-0.05}$ | C ± 0.10 | D ± 0.23 | E ± 0.20 | H ± 0.10 | J | K ± 0.10 |
| 36 | 6.00 | 7.65 | 9.15 | 25.00 | 27.00 | 28.00 | 6.00 | 9.15 |
| 64 | 20.00 | 21.65 | 23.15 | 39.00 | 41.00 | 42.00 | 20.00 | 23.15 |
| 98 | 37.00 | 38.65 | 40.15 | 56.00 | 58.00 | 59.00 | 37.00 | 40.15 |
| 164 | 70.00 | 71.65 | 73.15 | 89.00 | 91.00 | 92.00 | 70.00 | 73.15 |
| 98 (SEE NOTE) | 37.00 | 38.65 | 40.15 | 56.00 | 56.60 | 59.00 | 37.00 | 40.15 |
| 164 (SEE NOTE) | 70.00 | 71.65 | 73.15 | 89.00 | 89.60 | 92.00 | 70.00 | 73.15 |

| | | | | | | | | | | | |
|---------------|---------------------|---------------------------------------|----------------|-----------------|-----------------|----------------|------------------------|----------------|---------------|-----------|----------|
| spec ref | - | dr | Cheong, Matthe | 2017/11/06 | projection | MM | size | A3 | scale | 4:1 | |
| tolerance std | ISO 406 ISO 1101 | TOLERANCES UNLESS OTHERWISE SPECIFIED | | | eng | Cheong, Matthe | 2018/07/19 | ecn no | ELX-S-30728-1 | | |
| surface | - | chr | - | - | appr | Koon-Poh Tay | 2018/07/26 | product family | PCI express | rel level | Released |
| ISO 1302 | linear | 0.X | ± 0.30 | Amphenol FCi | PCI Express 4.0 | | | dwg no | 10146065 | | rev |
| | | 0.XX | ± 0.20 | | SMT Type | | | | | | |
| | angular | 0° | $\pm 2^\circ$ | | www.fci.com | | | | | | |
| cat. no. | | | | | - | | Product - Customer Drw | | sheet 3 of 4 | | |

PRODUCT NUMBER CODE

10146065- □□□□□ LF

HOUSING COLOR

I: BLACK

HOLDDOWN CLIP

0: NORMAL
I: SHORTER (BY 0.7MM PER SIDE)

CONTACT AREA PLATING

1: 30u" Au
2: 15u" Au

NO. OF POSITION

0: 36 POSITIONS
1: 64 POSITIONS
2: 98 POSITIONS
3: 164 POSITIONS

PACKAGING OPTIONS

A: HARD TRAY (DIM: 323 x 136 x 19) WITH KAPTON TAPE, 22MM (164 POS)
B: HARD TRAY (DIM: 323 x 136 x 19) WITH KAPTON TAPE, 86.5MM (164 POS) 
Q: HARD TRAY (DIM: 323 x 136 x 19) (98 & 164 POS)
C: SOFT TRAY (317.5 x 235 x 18) WITH PICK-UP CAP (36 & 64 POS)
T: SOFT TRAY (317.5 x 235 x 18) WITH KAPTON TAPE, 22MM (36 & 64 POS)
W: HARD TRAY (DIM: 330 x 235 x 19.3) WITH KAPTON TAPE, 30MM (98 & 164 POS)
X: HARD TRAY (DIM: 330 x 235 x 19.3) WITH PICK UP CAP (98 & 164 POS)
Y: HARD TRAY (DIM: 330 x 235 x 19.3) WITH KAPTON TAPE, 22MM (98 & 164 POS)
Z: HARD TRAY (DIM: 330 x 235 x 19.3) WITH KAPTON TAPE, 8.56MM (164 POS)



NOTES:

- MATERIAL:
HOUSING: LCP
CONTACT: COPPER ALLOY.
HOLDDOWN CLIP: COPPER ALLOY
- PLATING:
CONTACT: UNDERPLATE: 50u" NICKEL OVER ALL.
SOLDER AREA: 100u" TIN (LEAD FREE).
MATING AREA: SEE PRODUCT NUMBER CODE.
HOLDDOWN CLIP: 100u" TIN OVER 50 u" NICKEL.
- PRODUCT SPECIFICATION: GS-12-1406
- PRODUCT MEETS EUROPEAN UNION DIRECTIVES AND OTHER COUNTRY REGULATIONS AS DESCRIBED IN GS-47-004.
- DATE CODE "MMDDYYL", MMDDYY IS ASSEMBLY DATE. L IS AFCI PRODUCTION SITE.
- THE HOUSING WILL WITHSTAND EXPOSURE TO 260° PEAK TEMPERATURE FOR 10 SECONDS IN A CONVECTION, INFRA-RED OR VAPOR PHASE REFLOW OVEN.
- PARTNO: 10146065-**2*1LF & 10146065-**3*1LF, ARE OPTIONS WITH SHORTER HOLDDOWN CLIP FLAT AND PAD LENGTH

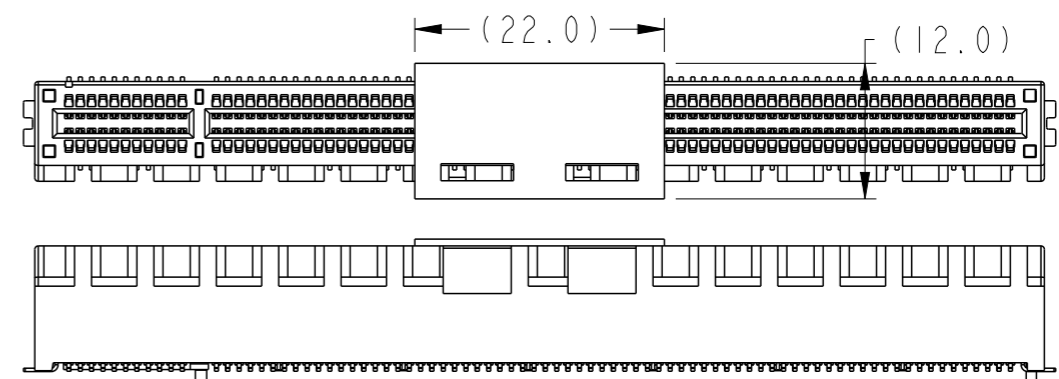


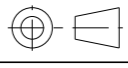
DATA CODE & PARTNO

POSITION OF KAPTON TAPE



POSITION OF PICK UP CAP



| | | | | | | | | | | |
|---------------------------------------|---------------------|------|----------------|------------|---|-------------|------------------------|---------------|-----------|----------|
| spec ref | - | dr | Cheong, Matthe | 2017/11/06 | projection | MM | size | A3 | scale | 2:1 |
| tolerance std | ISO 406 ISO 1101 | eng | Cheong, Matthe | 2018/07/19 |  | ← → | ecn no | ELX-S-30728-1 | rel level | Released |
| TOLERANCES UNLESS OTHERWISE SPECIFIED | | chr | - | - | | | | | | |
| surface | linear | appr | Koon-Poh Tay | 2018/07/26 | product family | PCI express | rel level | Released | dwg no | 10146065 |
| | angular | | | | www.fci.com | cat. no. | Product - Customer Drw | sheet 4 of 4 | rev | E |
| | | | | | | | | | | |

Amphenol FCI

© 2016 AFCI