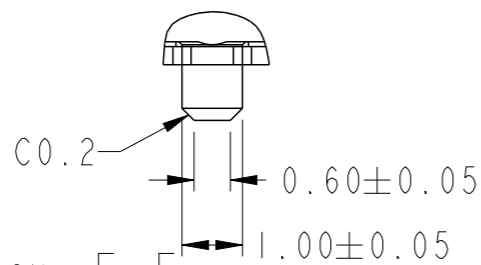
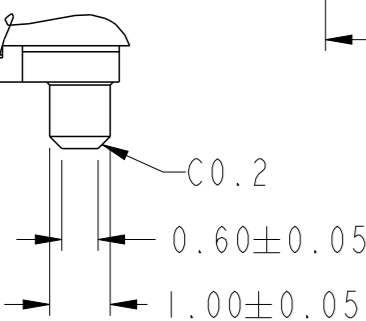
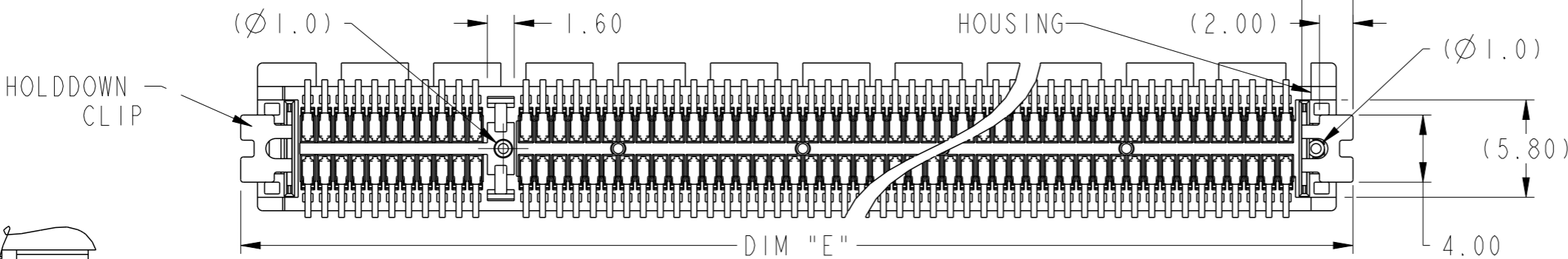
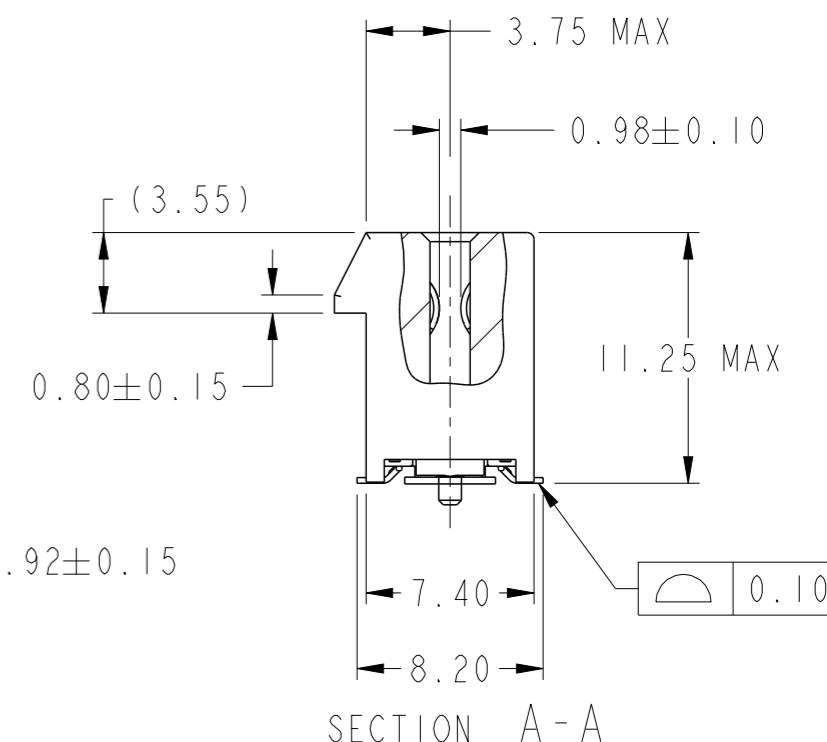
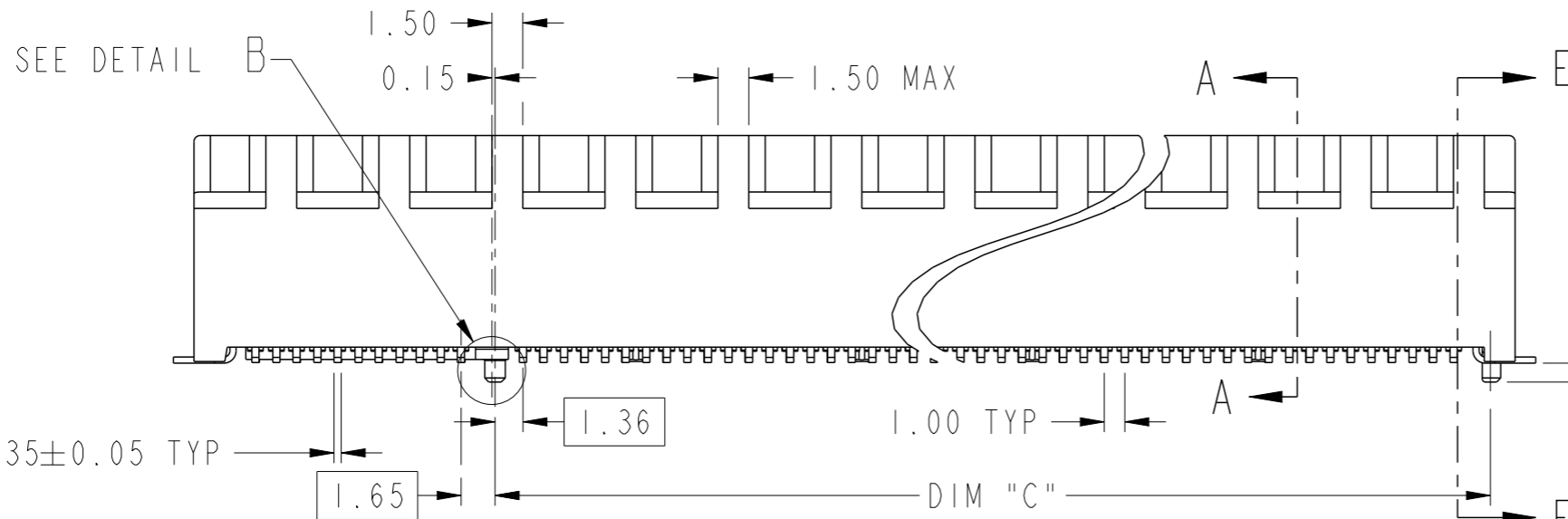
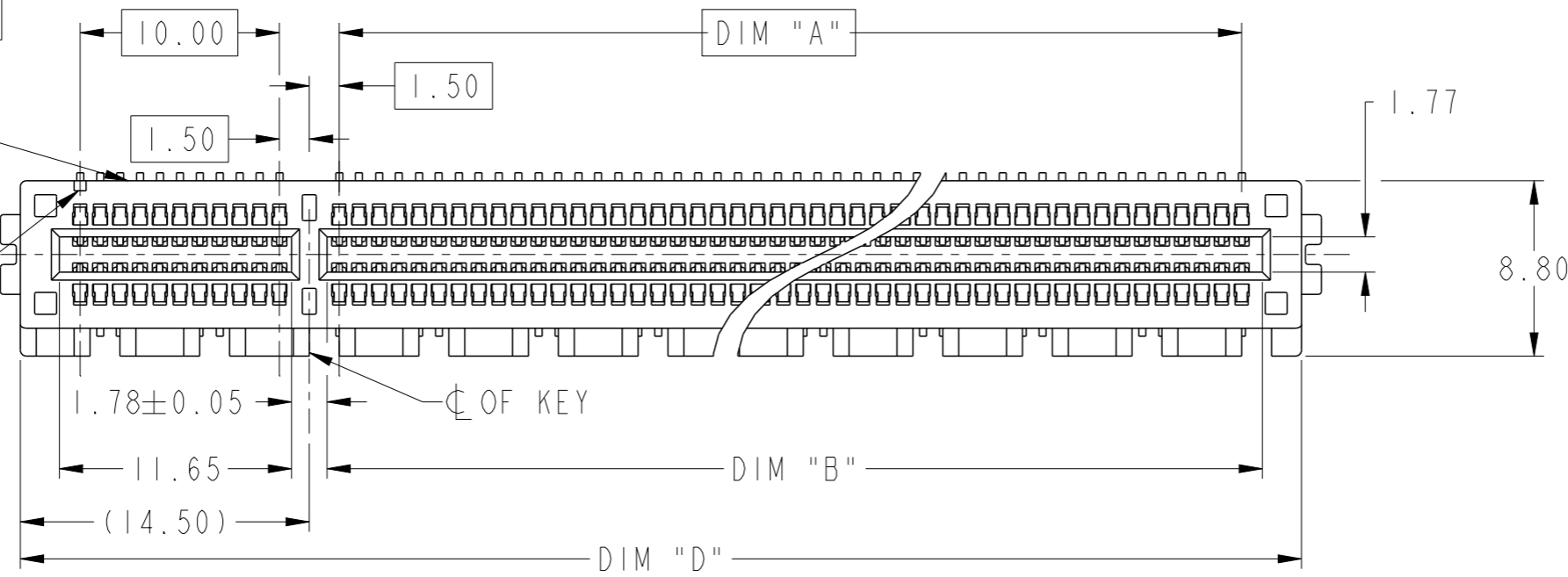


PRODUCT PARTNUMBER  
10146065-XXXXLF

PARTNO &  
DATECODE

#AI IDENTIFIER



SECTION E-E  
SCALE 3:1

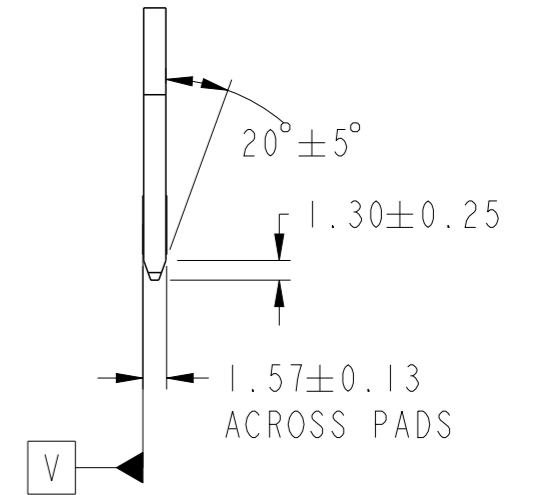
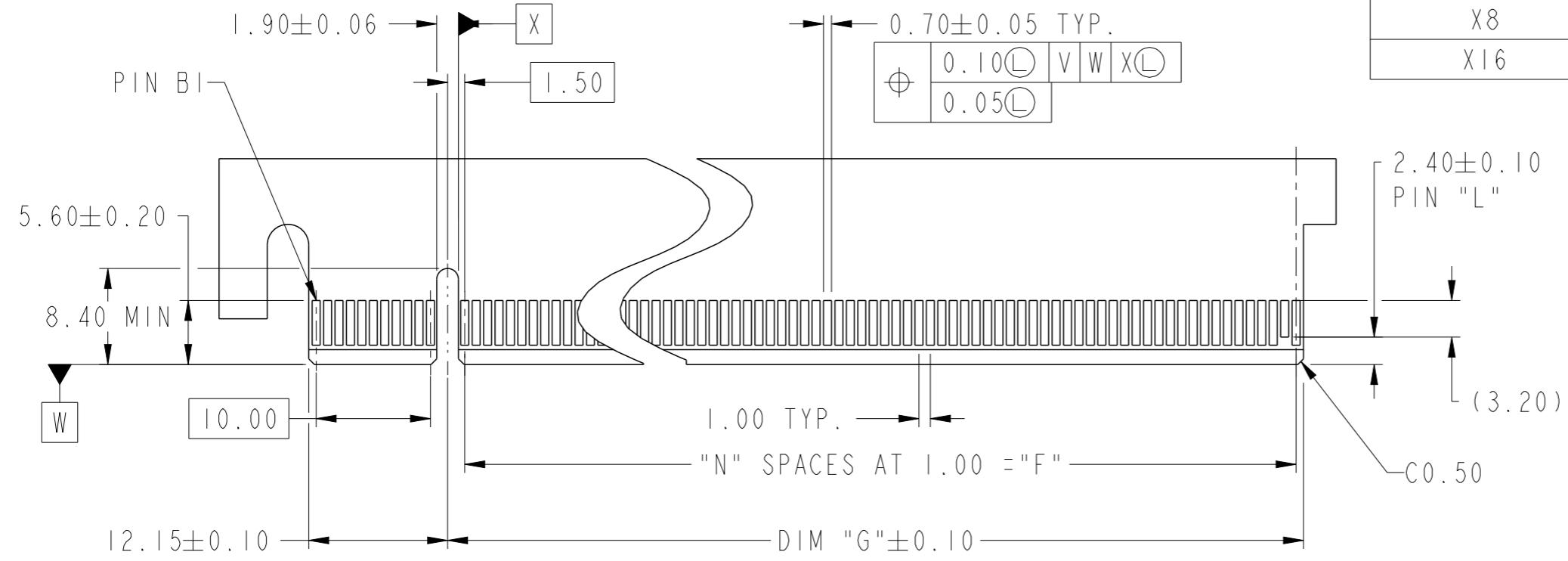
DETAIL B  
SCALE 8:1

SECTION E-E  
SCALE 8:1

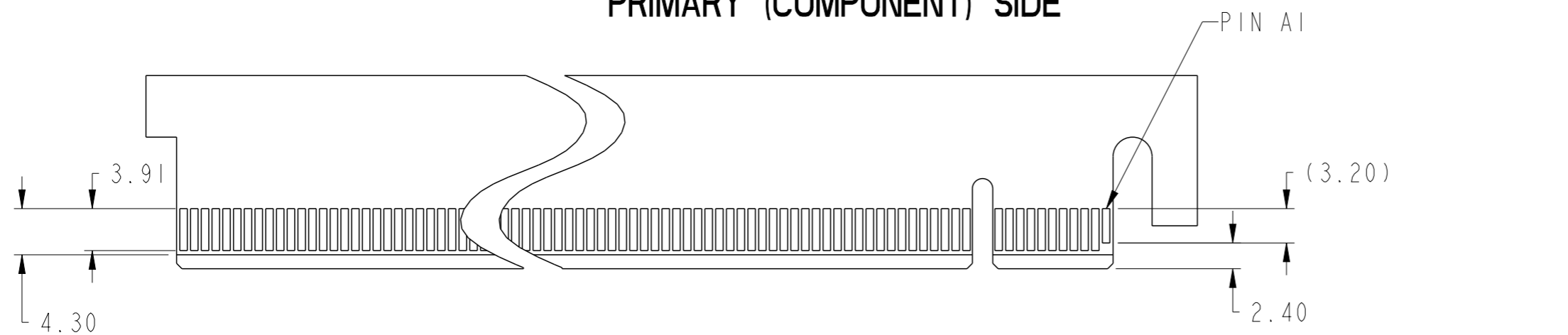
spec ref	-	dr	Cheong, Matthe	2017/11/06
tolerance std	ISO 406 ISO 1101	eng	Cheong, Matthe	2018/07/19
	TOLERANCES UNLESS OTHERWISE SPECIFIED	chr	-	-
surface	linear	appr	Koon-Poh Tay	2018/07/26
	0.X	<b>Amphenol FCI</b> PCI Express 4.0 SMT Type <a href="http://www.fci.com">www.fci.com</a>		
	0.XX			
	0.XXX			
	angular	0°	±2°	

projection	MM	size	A3	scale	3:1
product family	PCI express	ecn no	ELX-S-30728-1	rel level	Released
cat. no.	-	Product - Customer Drw	sheet 1 of 4	rev	E

CONNECTOR LINK WIDTH	POSITION	N	DIM "G"	DIM "F"	PIN "L"
X1	36	6	8.15	6.00	B17
X4	64	20	22.15	20.00	B31
X8	98	37	39.15	37.00	B48
X16	164	70	72.15	70.00	B81



← I/O PANEL DIRECTION  
PRIMARY (COMPONENT) SIDE



I/O PANEL DIRECTION →  
SECONDARY (SOLDER) SIDE

Amphenol FCI  
© 2016 AFCI

- NO TIE BAR PERMITTED FROM CARD EDGE TO LEADING EDGE OF PAD FOR PIN AI AND PIN "L".
- CHAMFER EDGES MUST BE FREE OF CUTTING BURRS.
- TOLERANCE : ± 0.13

spec ref	-	dr	Cheong, Matthe	2017/11/06	projection	MM	size	A3	scale	2:1	
tolerance std	ISO 406 ISO 1101	eng	Cheong, Matthe	2018/07/19			ecn no	ELX-S-30728-1			
TOLERANCES UNLESS OTHERWISE SPECIFIED		chr	-	-			product family	PCI express	rel level	Released	
surface	linear	appr	Koon-Poh Tay	2018/07/26	PCI Express 4.0		dwg no	10146065		rev	E
ISO 1302	angular	www.fci.com		cat. no.	Product - Customer Drw		sheet 2 of 4				



### RECOMMENDED PCB LAYOUT, PAD TYPE

POSITION	DIMENSIONS							
	A	B $^{+0.15}_{-0.05}$	C $\pm 0.10$	D $\pm 0.23$	E $\pm 0.20$	H $\pm 0.10$	J	K $\pm 0.10$
36	6.00	7.65	9.15	25.00	27.00	28.00	6.00	9.15
64	20.00	21.65	23.15	39.00	41.00	42.00	20.00	23.15
98	37.00	38.65	40.15	56.00	58.00	59.00	37.00	40.15
164	70.00	71.65	73.15	89.00	91.00	92.00	70.00	73.15
98 (SEE NOTE)	37.00	38.65	40.15	56.00	56.60	59.00	37.00	40.15
164 (SEE NOTE)	70.00	71.65	73.15	89.00	89.60	92.00	70.00	73.15

spec ref	-	dr	Cheong, Matthe	2017/11/06	projection	MM	size	A3	scale	4:1	
tolerance std	ISO 406 ISO 1101	TOLERANCES UNLESS OTHERWISE SPECIFIED			eng	Cheong, Matthe	2018/07/19	ecn no	ELX-S-30728-1		
surface	-	chr	-	-	appr	Koon-Poh Tay	2018/07/26	product family	PCI express	rel level	Released
ISO 1302	linear	0.X	$\pm 0.30$	Amphenol FCi	PCI Express 4.0			dwg no	10146065	rev	E
		0.XX	$\pm 0.20$		SMT Type						
	angular	0°	$\pm 2^\circ$		www.fci.com						
cat. no.					-		Product - Customer Drw		sheet 3 of 4		

# PRODUCT NUMBER CODE

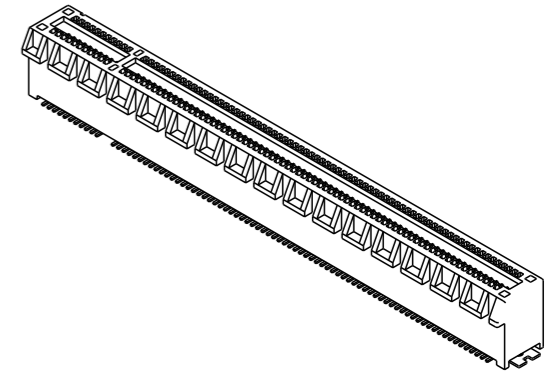
10146065-□□□□□LF

HOUSING COLOR

1: BLACK

HOLDDOWN CLIP

0: NORMAL  
1: SHORTER (BY 0.7MM PER SIDE)



CONTACT AREA PLATING

1: 30u" Au  
2: 15u" Au

NO. OF POSITION

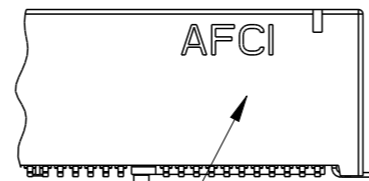
0: 36 POSITIONS  
1: 64 POSITIONS  
2: 98 POSITIONS  
3: 164 POSITIONS

PACKAGING OPTIONS

A: HARD TRAY (DIM: 323 x 136 x 19) WITH KAPTON TAPE, 22MM (164 POS)  
 B: HARD TRAY (DIM: 323 x 136 x 19) WITH KAPTON TAPE, 86.5MM (164 POS)   
 Q: HARD TRAY (DIM: 323 x 136 x 19) (98 & 164 POS)  
 C: SOFT TRAY (317.5 x 235 x 18) WITH PICK-UP CAP (36 & 64 POS)  
 T: SOFT TRAY (317.5 x 235 x 18) WITH KAPTON TAPE, 22MM (36 & 64 POS)  
 W: HARD TRAY (DIM: 330 x 235 x 19.3) WITH KAPTON TAPE, 30MM (98 & 164 POS)  
 X: HARD TRAY (DIM: 330 x 235 x 19.3) WITH PICK UP CAP (98 & 164 POS)  
 Y: HARD TRAY (DIM: 330 x 235 x 19.3) WITH KAPTON TAPE, 22MM (98 & 164 POS)  
 Z: HARD TRAY (DIM: 330 x 235 x 19.3) WITH KAPTON TAPE, 8.56MM (164 POS)

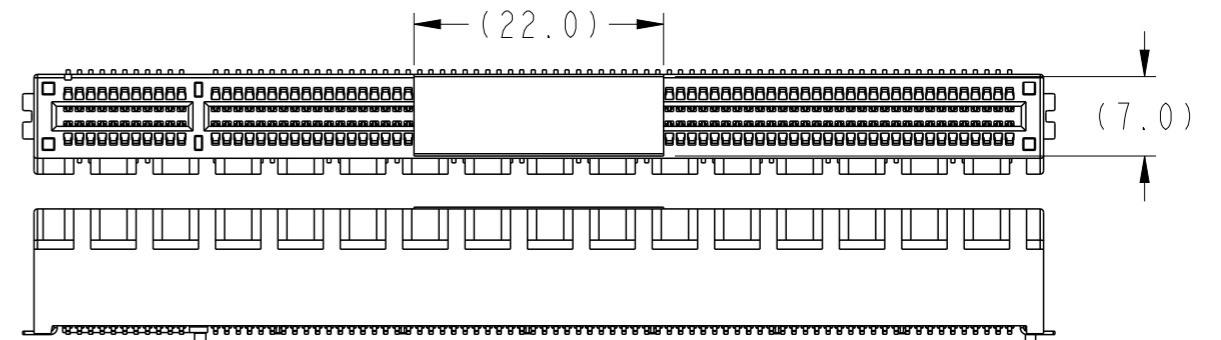
NOTES:

- MATERIAL:  
HOUSING: LCP  
CONTACT: COPPER ALLOY.  
HOLDDOWN CLIP: COPPER ALLOY
- PLATING:  
CONTACT: UNDERPLATE: 50u" NICKEL OVER ALL.  
SOLDER AREA: 100u" TIN (LEAD FREE).  
MATING AREA: SEE PRODUCT NUMBER CODE.  
HOLDDOWN CLIP: 100u" TIN OVER 50 u" NICKEL.
- PRODUCT SPECIFICATION: GS-12-1406
- PRODUCT MEETS EUROPEAN UNION DIRECTIVES AND OTHER COUNTRY REGULATIONS AS DESCRIBED IN GS-47-004.
- DATE CODE "MMDDYYL", MMDDYY IS ASSEMBLY DATE. L IS AFCI PRODUCTION SITE.
- THE HOUSING WILL WITHSTAND EXPOSURE TO 260° PEAK TEMPERATURE FOR 10 SECONDS IN A CONVECTION, INFRA-RED OR VAPOR PHASE REFLOW OVEN.
- PARTNO: 10146065-\*\*2\*1LF & 10146065-\*\*3\*1LF, ARE OPTIONS WITH SHORTER HOLDDOWN CLIP FLAT AND PAD LENGTH

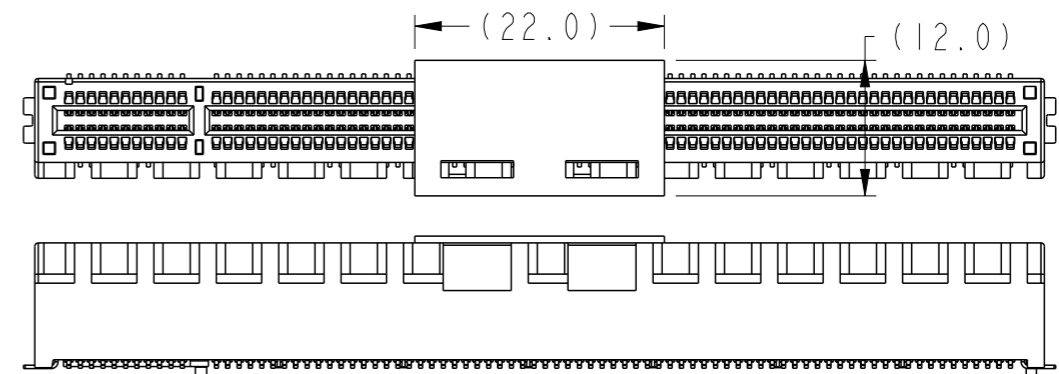


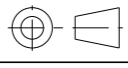


DATA CODE & PARTNO

POSITION OF KAPTON TAPE



POSITION OF PICK UP CAP



spec ref	-	dr	Cheong, Matthe	2017/11/06	projection	MM	size	A3	scale	2:1	
tolerance std	ISO 406 ISO 1101	eng	Cheong, Matthe	2018/07/19			ecn no	ELX-S-30728-1			
surface	linear	chr	-	apppr				Koon-Poh Tay	2018/07/26	product family	PCI express
							product family	PCI Express 4.0		rel level	Released
					www.fci.com	cat. no.	Product - Customer Drw	sheet 4 of 4			
							Product - Customer Drw	sheet 4 of 4			