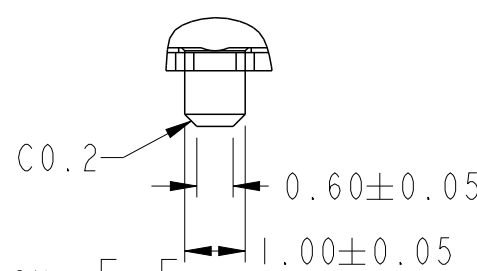
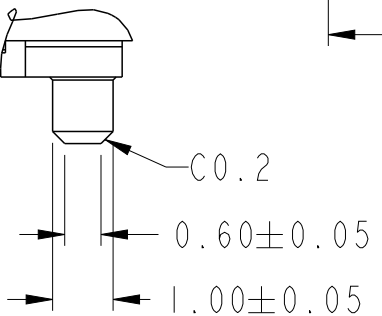
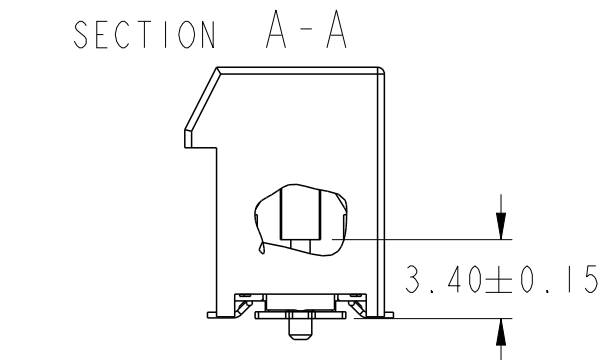
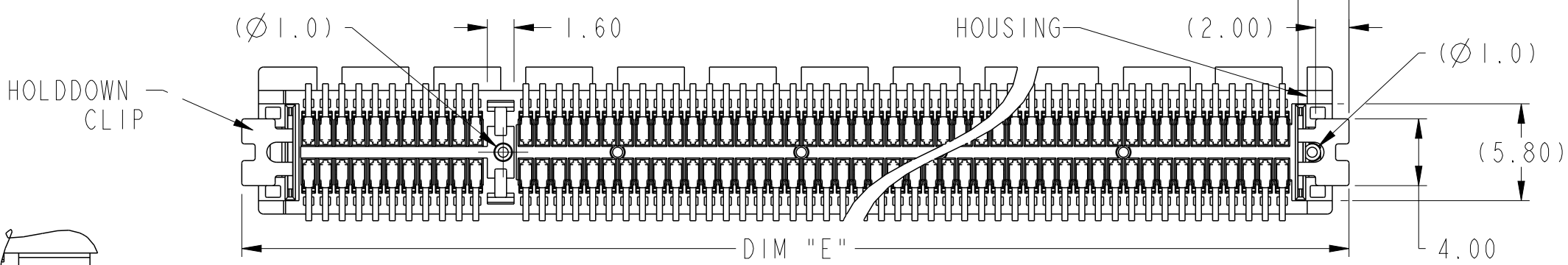
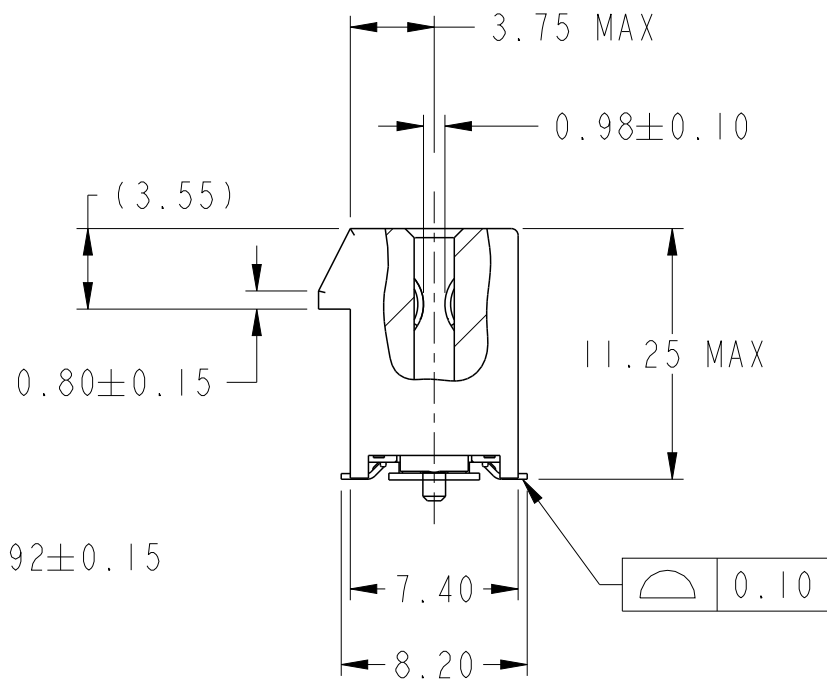
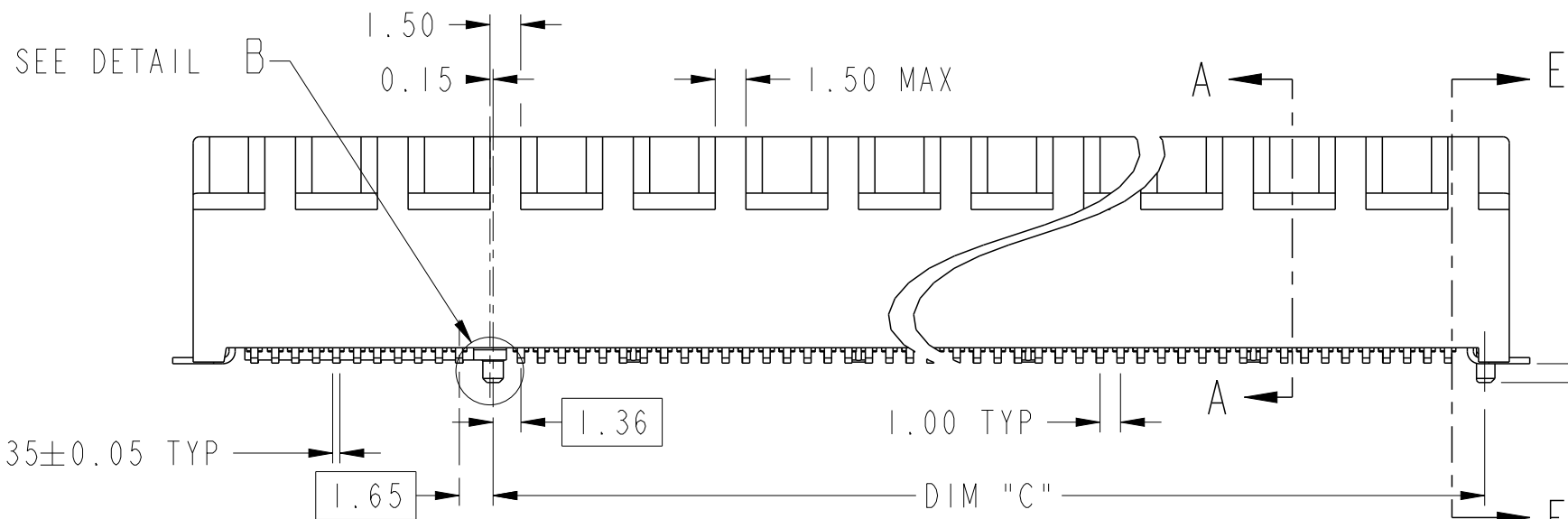
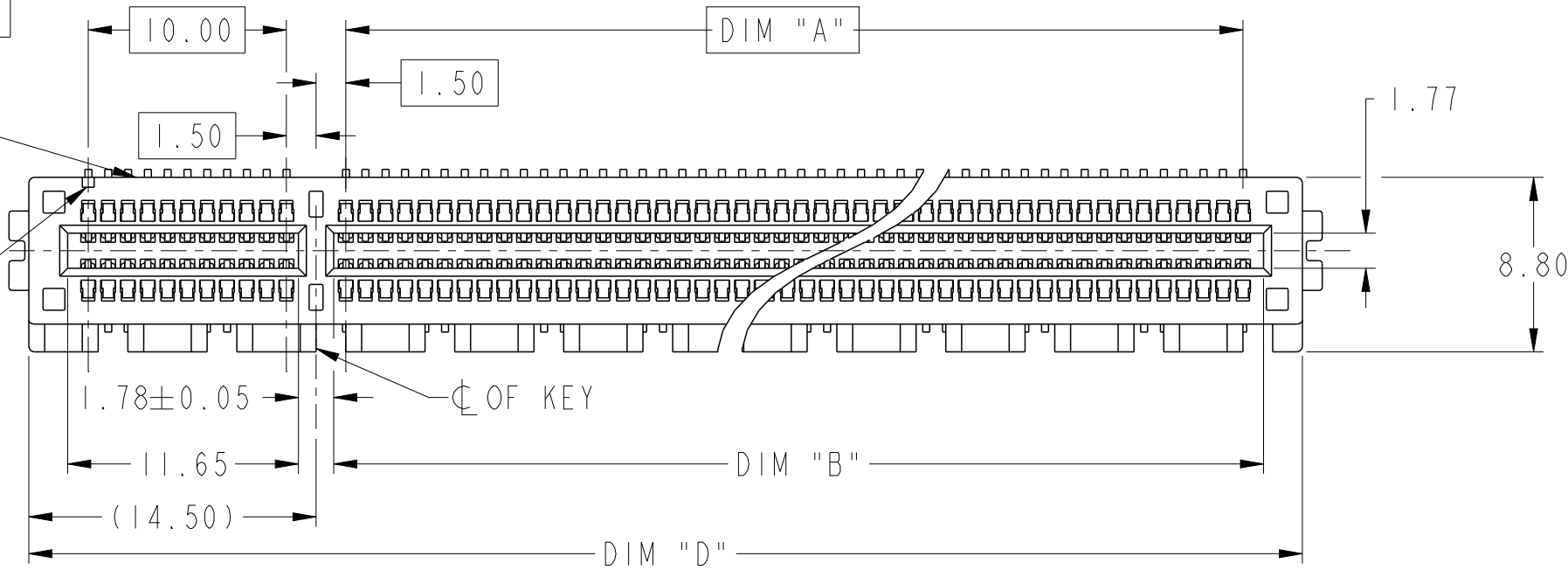


PRODUCT PARTNUMBER  
10146065-XXXXLF

PARTNO &  
DATECODE

#AI IDENTIFIER



DETAIL B  
SCALE 8:1

SECTION E-E  
SCALE 8:1

SECTION E-E  
SCALE 3:1

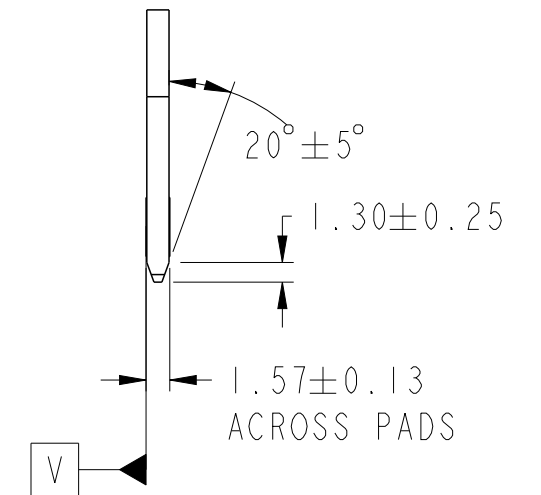
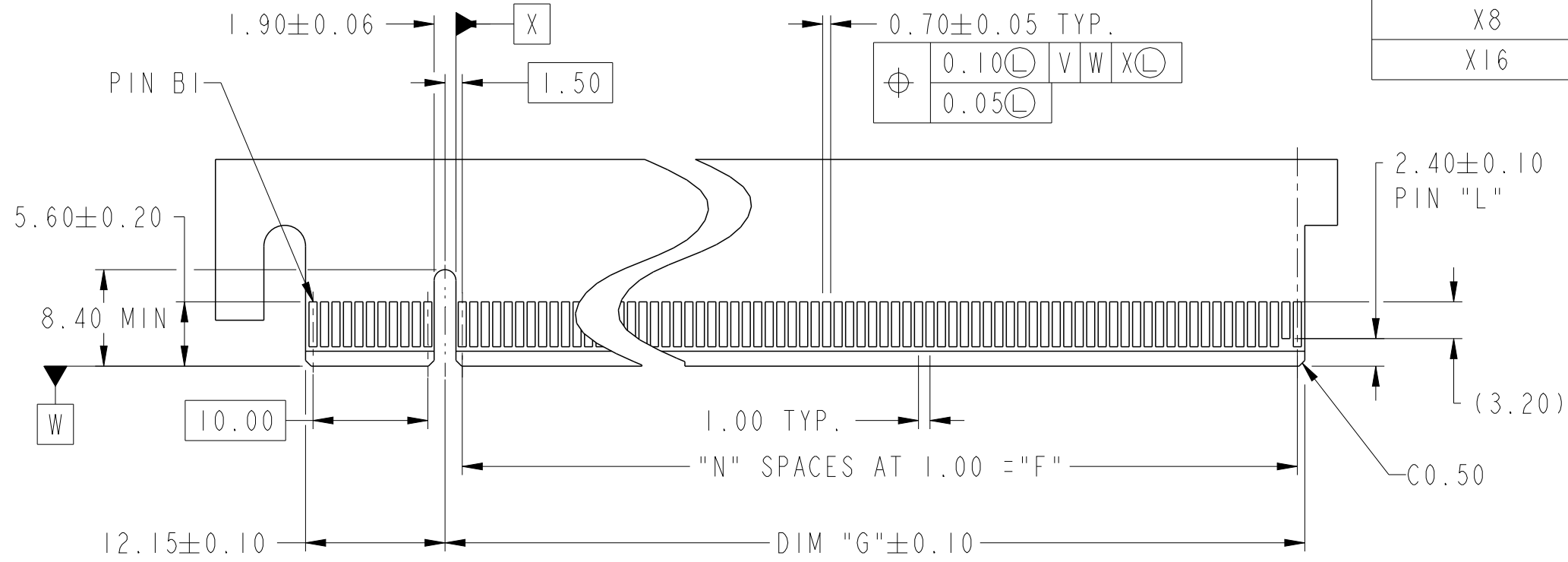
spec ref	-	dr	Cheong, Matthe	2017/11/06
tolerance std	ISO 406 ISO 1101	eng	Cheong, Matthe	2018/07/19
	TOLERANCES UNLESS OTHERWISE SPECIFIED	chr	-	-
surface	linear	appr	Koon-Poh Tay	2018/07/26
	0.X	<b>Amphenol FCI</b> PCI Express 4.0 SMT Type <a href="http://www.fci.com">www.fci.com</a>		
	0.XX			
	0.XXX			
	angular	0°	±2°	

projection	MM	size	A3	scale	3:1
product family	PCI express	ecn no	ELX-S-30728-1	rel level	Released
cat. no.	-	Product - Customer Drw	sheet 1 of 4	rev	E

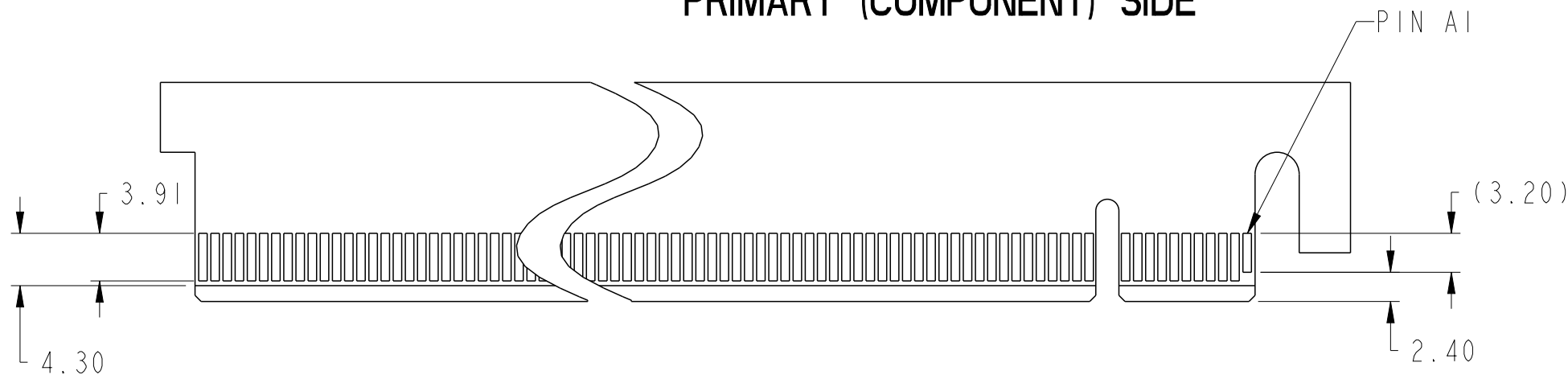
Amphenol FCI

© 2016 AFCI

CONNECTOR LINK WIDTH	POSITION	N	DIM "G"	DIM "F"	PIN "L"
X1	36	6	8.15	6.00	B17
X4	64	20	22.15	20.00	B31
X8	98	37	39.15	37.00	B48
X16	164	70	72.15	70.00	B81



← I/O PANEL DIRECTION  
PRIMARY (COMPONENT) SIDE



I/O PANEL DIRECTION →  
SECONDARY (SOLDER) SIDE

SEE NOTE 1 IN SHEET 2

- NO TIE BAR PERMITTED FROM CARD EDGE TO LEADING EDGE OF PAD FOR PIN AI AND PIN "L".
- CHAMFER EDGES MUST BE FREE OF CUTTING BURRS.
- TOLERANCE : ± 0.13

spec ref	-	dr	Cheong, Matthe	2017/11/06	projection	MM	size	A3	scale	2:1
tolerance std	ISO 406 ISO 1101	eng	Cheong, Matthe	2018/07/19			ecn no	ELX-S-30728-1	rel level	Released
TOLERANCES UNLESS OTHERWISE SPECIFIED		chr	-	-			product family	PCI express	rel level	Released
surface	linear	appr	Koon-Poh Tay	2018/07/26			dwg no	10146065	rev	E
ISO 1302	angular	www.fci.com		cat. no.	Product - Customer Drw		sheet 2 of 4			
	0.X	±0.30								
	0.XX	±0.20								
	0.XXX	±0.1								
	0°	±2°								



