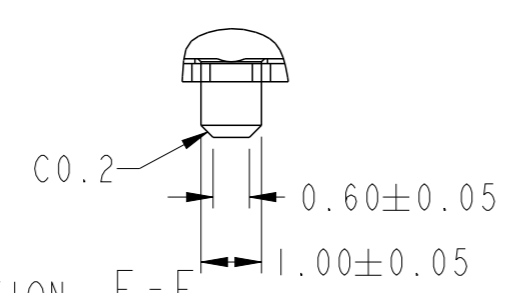
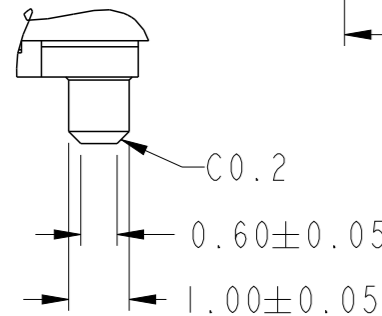
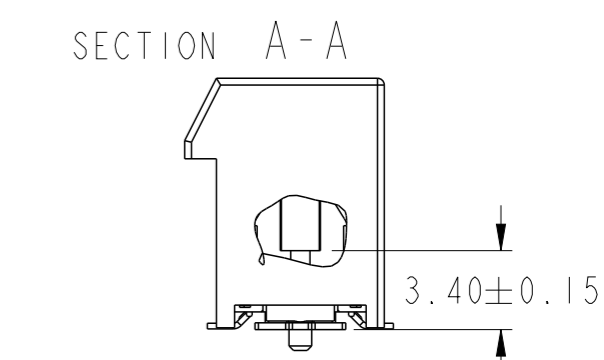
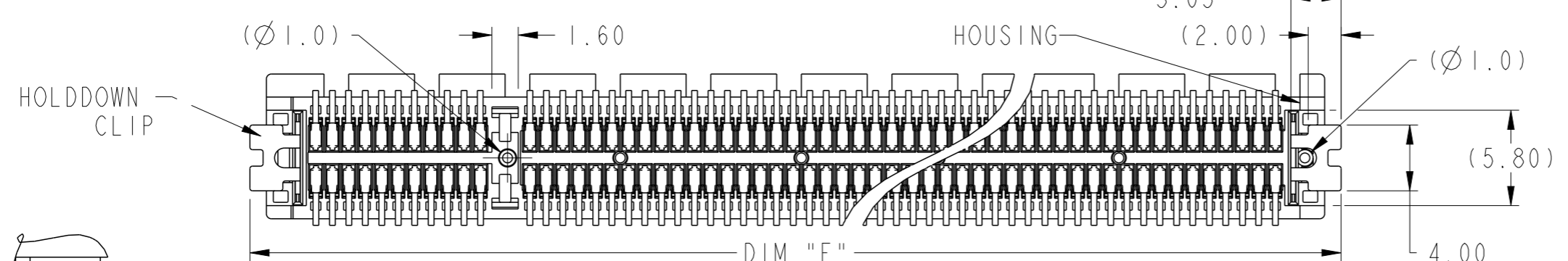
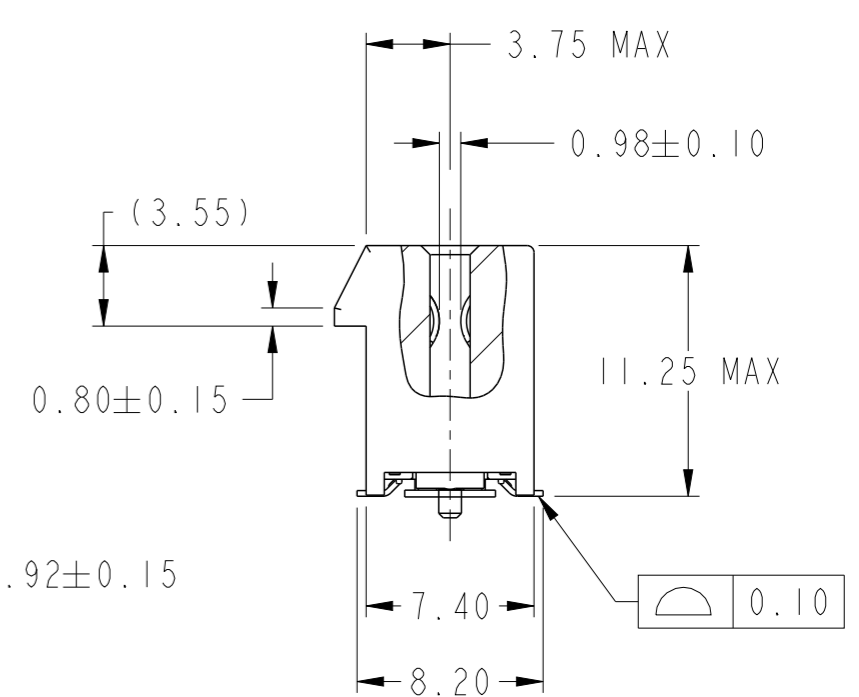
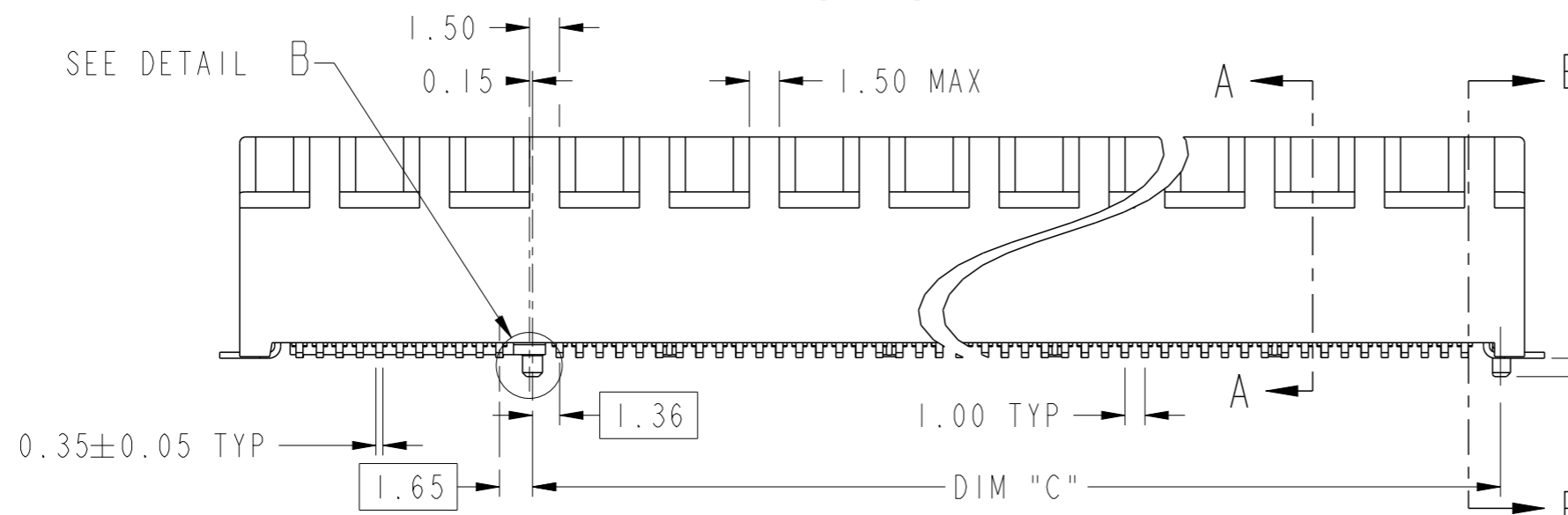
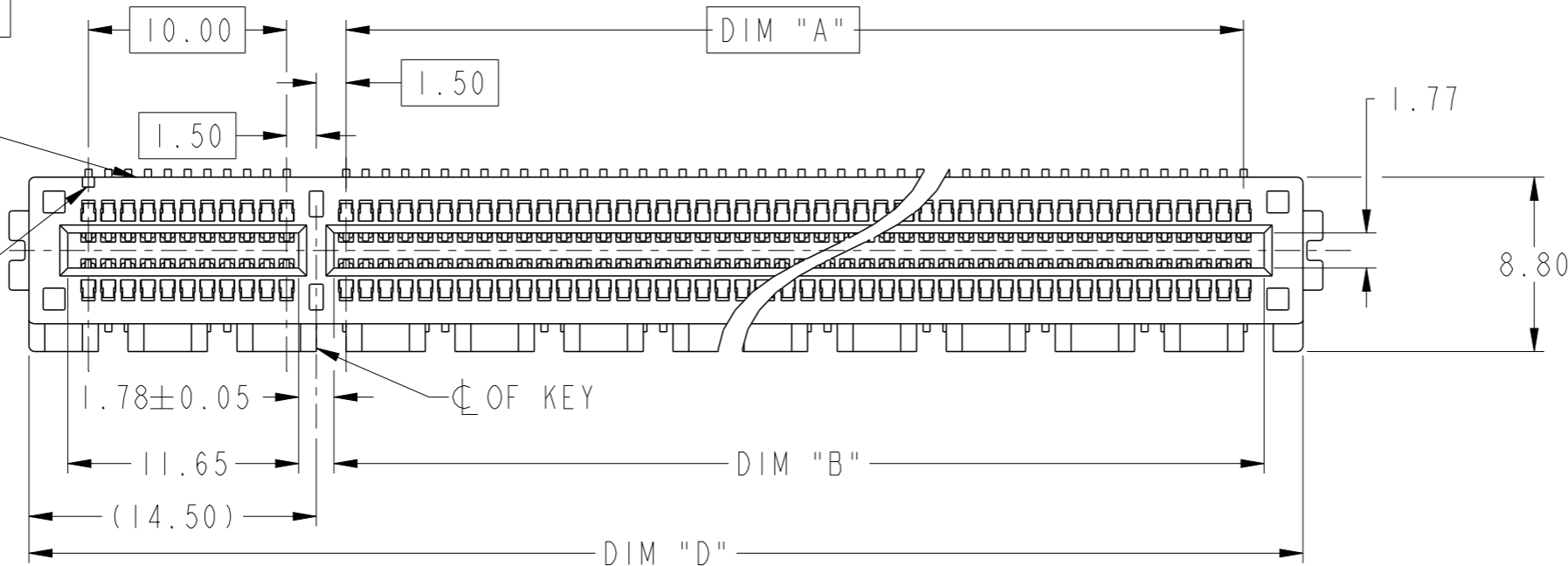


PRODUCT PARTNUMBER  
10146065-XXXXLF

PARTNO &  
DATECODE

#AI IDENTIFIER



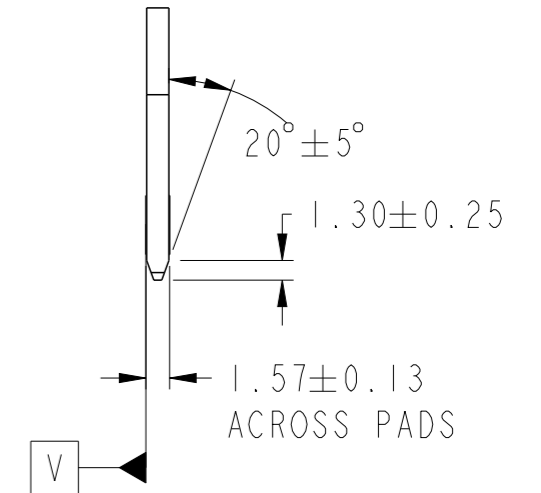
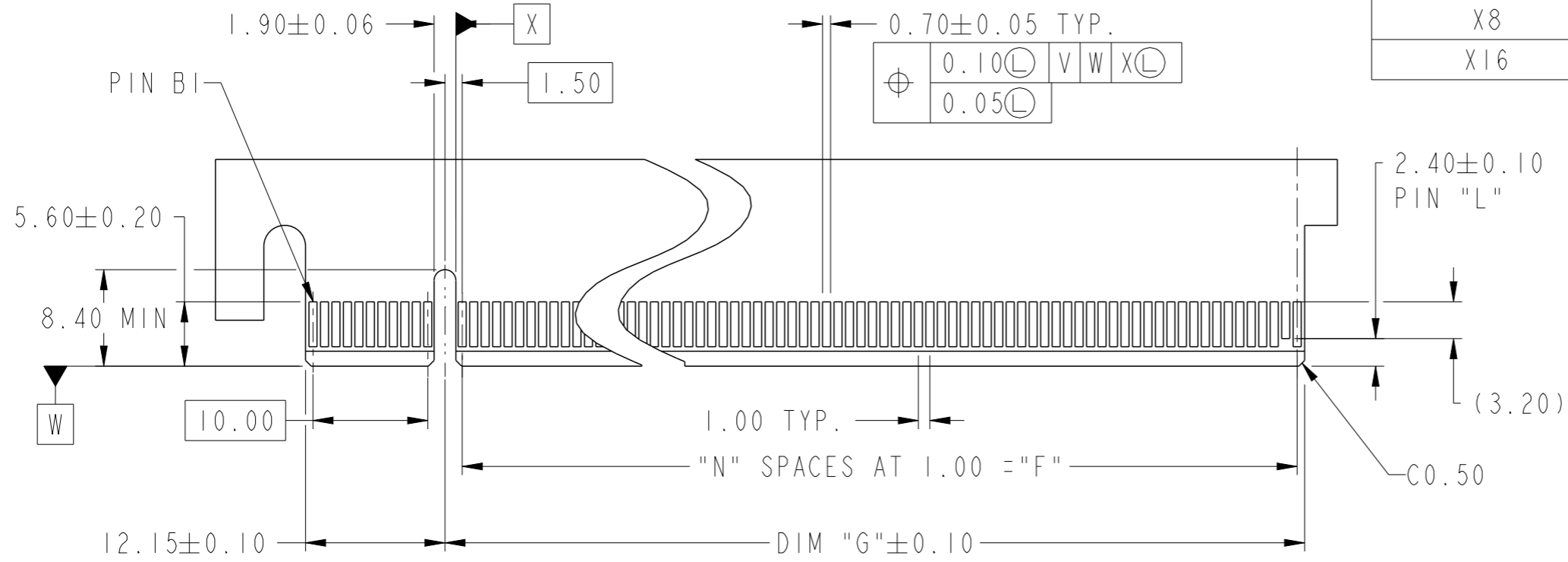
DETAIL B  
SCALE 8:1

SECTION E-E  
SCALE 8:1

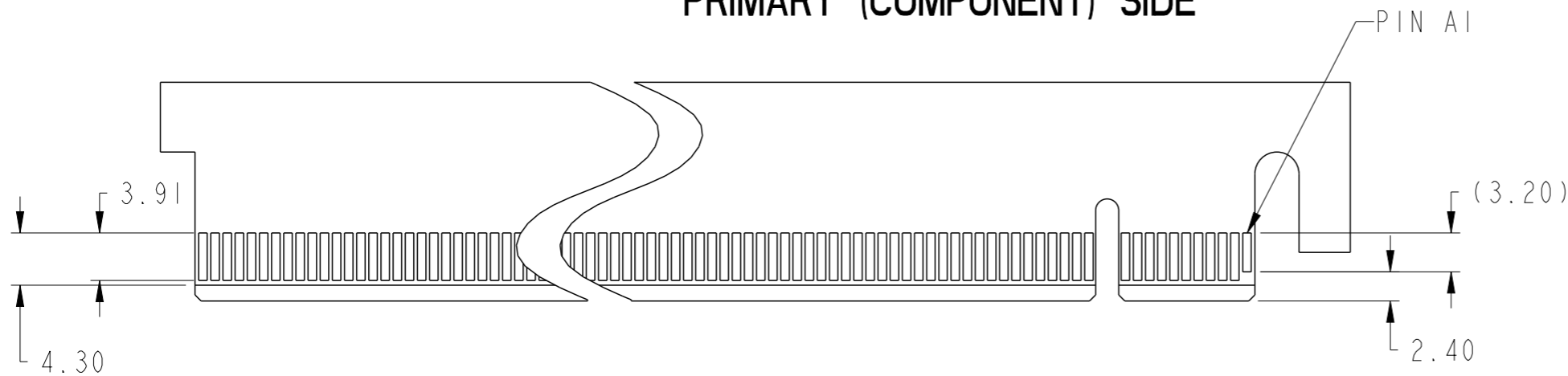
SECTION E-E  
SCALE 3:1

|                                       |                     |      |                |              |            |                        |              |               |           |                |
|---------------------------------------|---------------------|------|----------------|--------------|------------|------------------------|--------------|---------------|-----------|----------------|
| spec ref                              | -                   | dr   | Cheong, Matthe | 2017/11/06   | projection | MM                     | size         | A3            | scale     | 3:1            |
| tolerance std                         | ISO 406<br>ISO 1101 | eng  | Cheong, Matthe | 2018/07/19   |            |                        | ecn no       | ELX-S-30728-1 | rel level | Released       |
| TOLERANCES UNLESS OTHERWISE SPECIFIED |                     | chr  | -              | app          |            |                        | Koon-Poh Tay | 2018/07/26    |           | product family |
| surface                               | linear              | 0.X  | ±0.30          | Amphenol FCI |            | PCI Express 4.0        | dwg no       | 10146065      | rev       | E              |
|                                       |                     | 0.XX | ±0.20          | www.fci.com  |            | SMT Type               |              |               |           |                |
|                                       | angular             | 0°   | ±2°            | cat. no.     | -          | Product - Customer Drw | sheet 1 of 4 |               |           |                |

| CONNECTOR LINK WIDTH | POSITION | N  | DIM "G" | DIM "F" | PIN "L" |
|----------------------|----------|----|---------|---------|---------|
| X1                   | 36       | 6  | 8.15    | 6.00    | B17     |
| X4                   | 64       | 20 | 22.15   | 20.00   | B31     |
| X8                   | 98       | 37 | 39.15   | 37.00   | B48     |
| X16                  | 164      | 70 | 72.15   | 70.00   | B81     |



← I/O PANEL DIRECTION  
PRIMARY (COMPONENT) SIDE



I/O PANEL DIRECTION →  
SECONDARY (SOLDER) SIDE

SEE NOTE 1 IN SHEET 2

- NO TIE BAR PERMITTED FROM CARD EDGE TO LEADING EDGE OF PAD FOR PIN AI AND PIN "L".
- CHAMFER EDGES MUST BE FREE OF CUTTING BURRS.
- TOLERANCE : ± 0.13

|                                       |                     |             |                |            |                        |    |                |               |           |          |   |
|---------------------------------------|---------------------|-------------|----------------|------------|------------------------|----|----------------|---------------|-----------|----------|---|
| spec ref                              | -                   | dr          | Cheong, Matthe | 2017/11/06 | projection             | MM | size           | A3            | scale     | 2:1      |   |
| tolerance std                         | ISO 406<br>ISO 1101 | eng         | Cheong, Matthe | 2018/07/19 |                        |    | ecn no         | ELX-S-30728-1 |           |          |   |
| TOLERANCES UNLESS OTHERWISE SPECIFIED |                     | chr         | -              | -          |                        |    | product family | PCI express   | rel level | Released |   |
| surface                               | linear              | appr        | Koon-Poh Tay   | 2018/07/26 |                        |    | dwg no         | 10146065      |           | rev      | E |
| ISO 1302                              | angular             | www.fci.com |                | cat. no.   | Product - Customer Drw |    | sheet 2 of 4   |               |           |          |   |
|                                       | 0.X                 | ±0.30       |                |            |                        |    |                |               |           |          |   |
|                                       | 0.XX                | ±0.20       |                |            |                        |    |                |               |           |          |   |
|                                       | 0.XXX               | ±0.1        |                |            |                        |    |                |               |           |          |   |
|                                       | 0°                  | ±2°         |                |            |                        |    |                |               |           |          |   |



### RECOMMENDED PCB LAYOUT, PAD TYPE

| POSITION       | DIMENSIONS |                                       |         |         |         |         |       |         |
|----------------|------------|---------------------------------------|---------|---------|---------|---------|-------|---------|
|                | A          | B <sup>+0.15</sup> / <sub>-0.05</sub> | C ±0.10 | D ±0.23 | E ±0.20 | H ±0.10 | J     | K ±0.10 |
| 36             | 6.00       | 7.65                                  | 9.15    | 25.00   | 27.00   | 28.00   | 6.00  | 9.15    |
| 64             | 20.00      | 21.65                                 | 23.15   | 39.00   | 41.00   | 42.00   | 20.00 | 23.15   |
| 98             | 37.00      | 38.65                                 | 40.15   | 56.00   | 58.00   | 59.00   | 37.00 | 40.15   |
| 164            | 70.00      | 71.65                                 | 73.15   | 89.00   | 91.00   | 92.00   | 70.00 | 73.15   |
| 98 (SEE NOTE)  | 37.00      | 38.65                                 | 40.15   | 56.00   | 56.60   | 59.00   | 37.00 | 40.15   |
| 164 (SEE NOTE) | 70.00      | 71.65                                 | 73.15   | 89.00   | 89.60   | 92.00   | 70.00 | 73.15   |

|               |                     |                                       |                |              |            |                 |            |                        |               |                       |          |
|---------------|---------------------|---------------------------------------|----------------|--------------|------------|-----------------|------------|------------------------|---------------|-----------------------|----------|
| spec ref      | -                   | dr                                    | Cheong, Matthe | 2017/11/06   | projection | MM              | size       | A3                     | scale         | 4:1                   |          |
| tolerance std | ISO 406<br>ISO 1101 | TOLERANCES UNLESS OTHERWISE SPECIFIED |                |              | eng        | Cheong, Matthe  | 2018/07/19 | ecn no                 | ELX-S-30728-1 |                       |          |
| surface       | -                   | chr                                   | -              | -            | appr       | Koon-Poh Tay    | 2018/07/26 | product family         | PCI express   | rel level             | Released |
| ISO 1302      | linear              | 0.X                                   | ±0.30          | Amphenol FCI |            | PCI Express 4.0 |            | dwg no                 | 10146065      | rev                   | E        |
|               |                     | 0.XX                                  | ±0.20          | www.fci.com  |            | SMT Type        |            | Product - Customer Drw |               | sheet 3 of 4          |          |
|               | angular             | 0°                                    | ±2°            | cat. no.     |            | -               |            | STATUS:Released        |               | Printed: Jul 26, 2018 |          |

**PRODUCT NUMBER CODE**

10146065- □ □ □ □ LF

HOUSING COLOR

I: BLACK

HOLDDOWN CLIP

0: NORMAL  
I: SHORTER (BY 0.7MM PER SIDE)

CONTACT AREA PLATING

1: 30u" Au  
2: 15u" Au

NO. OF POSITION

0: 36 POSITIONS  
1: 64 POSITIONS  
2: 98 POSITIONS  
3: 164 POSITIONS

PACKAGING OPTIONS

A: HARD TRAY (DIM: 323 x 136 x 19) WITH KAPTON TAPE, 22MM (164 POS)  
B: HARD TRAY (DIM: 323 x 136 x 19) WITH KAPTON TAPE, 86.5MM (164 POS)   
Q: HARD TRAY (DIM: 323 x 136 x 19) (98 & 164 POS)  
C: SOFT TRAY (317.5 x 235 x 18) WITH PICK-UP CAP (36 & 64 POS)  
T: SOFT TRAY (317.5 x 235 x 18) WITH KAPTON TAPE, 22MM (36 & 64 POS)  
W: HARD TRAY (DIM: 330 x 235 x 19.3) WITH KAPTON TAPE, 30MM (98 & 164 POS)  
X: HARD TRAY (DIM: 330 x 235 x 19.3) WITH PICK UP CAP (98 & 164 POS)  
Y: HARD TRAY (DIM: 330 x 235 x 19.3) WITH KAPTON TAPE, 22MM (98 & 164 POS)  
Z: HARD TRAY (DIM: 330 x 235 x 19.3) WITH KAPTON TAPE, 8.56MM (164 POS)



NOTES:

- MATERIAL:  
HOUSING: LCP  
CONTACT: COPPER ALLOY.  
HOLDDOWN CLIP: COPPER ALLOY
- PLATING:  
CONTACT: UNDERPLATE: 50u" NICKEL OVER ALL.  
SOLDER AREA: 100u" TIN (LEAD FREE).  
MATING AREA: SEE PRODUCT NUMBER CODE.  
HOLDDOWN CLIP: 100u" TIN OVER 50 u" NICKEL.
- PRODUCT SPECIFICATION: GS-12-1406
- PRODUCT MEETS EUROPEAN UNION DIRECTIVES AND OTHER COUNTRY REGULATIONS AS DESCRIBED IN GS-47-004.
- DATE CODE "MMDDYYL", MMDDYY IS ASSEMBLY DATE. L IS AFCI PRODUCTION SITE.
- THE HOUSING WILL WITHSTAND EXPOSURE TO 260° PEAK TEMPERATURE FOR 10 SECONDS IN A CONVECTION, INFRA-RED OR VAPOR PHASE REFLOW OVEN.
- PARTNO: 10146065-\*\*2\*1LF & 10146065-\*\*3\*1LF, ARE OPTIONS WITH SHORTER HOLDDOWN CLIP FLAT AND PAD LENGTH

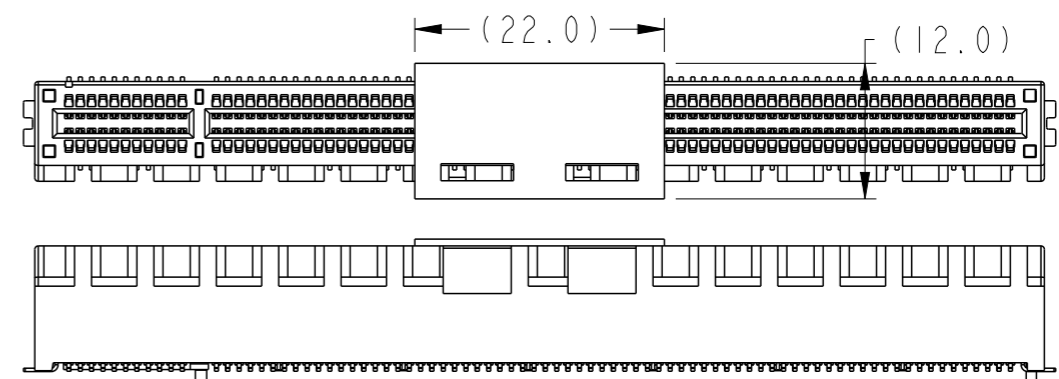


DATA CODE & PARTNO

POSITION OF KAPTON TAPE



POSITION OF PICK UP CAP



|               |                     |             |                |            |                        |     |                |               |           |          |   |
|---------------|---------------------|-------------|----------------|------------|------------------------|-----|----------------|---------------|-----------|----------|---|
| spec ref      | -                   | dr          | Cheong, Matthe | 2017/11/06 | projection             | MM  | size           | A3            | scale     | 2:1      |   |
| tolerance std | ISO 406<br>ISO 1101 | eng         | Cheong, Matthe | 2018/07/19 |                        | ← → | ecn no         | ELX-S-30728-1 |           |          |   |
| surface       | linear              | chr         | -              | -          |                        |     | product family | PCI express   | rel level | Released |   |
|               |                     | appr        | Koon-Poh Tay   | 2018/07/26 | PCI Express 4.0        |     | dwg no         | 10146065      |           | rev      | E |
|               | angular             | www.fci.com |                | cat. no.   | Product - Customer Drw |     |                | sheet 4 of 4  |           |          |   |
|               |                     |             |                |            |                        |     |                |               |           |          |   |