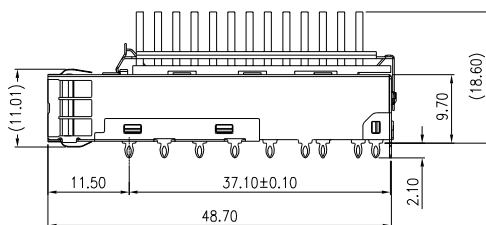
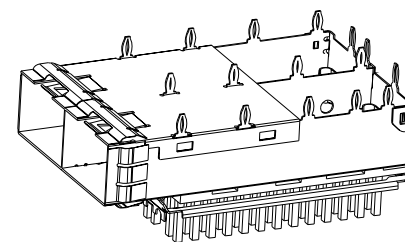
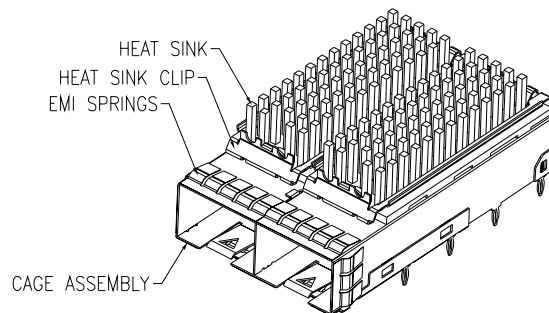
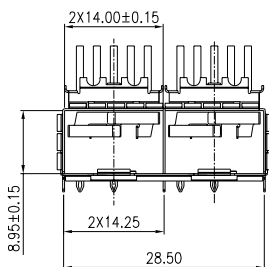
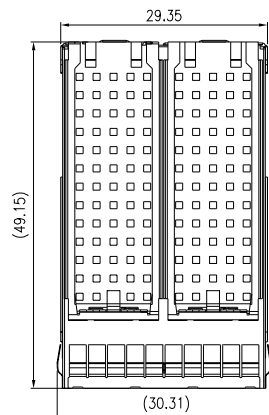


Product Number	Packaging
10127105-101LF	Tray

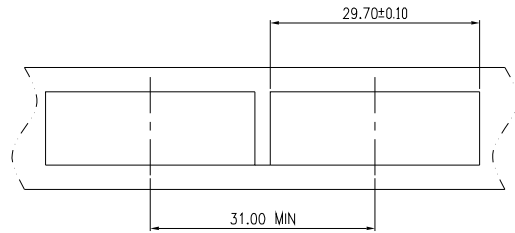


NOTES:

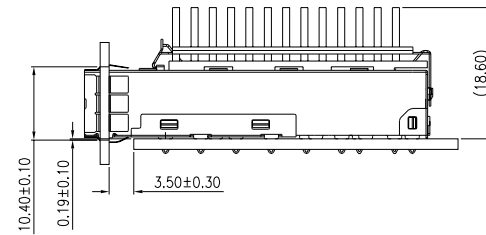
1. DESCRIPTION	Q'ty	MATERIAL	PLATING
CAGE ASSEMBLY	1PCS	NICKEL SILVER ALLOY T=0.25	NO PLATING
EMI SPRINGS	4PCS	COPPER ALLOY T=0.08	Ni PLATED
HEAT SINK	2PCS	ALUMINIUM ALLOY	Ni PLATED
HEAT SINK CLIP	4PCS	STAINLESS STEEL T=0.25	NO PLATING

2, PRODUCT SPECIFICATION: GS-12-1165  
 3, APPLICATION SPECIFICATION: GS-20-0384  
 4, PACKAGE PER GS-14-2344 AND GS-14-920

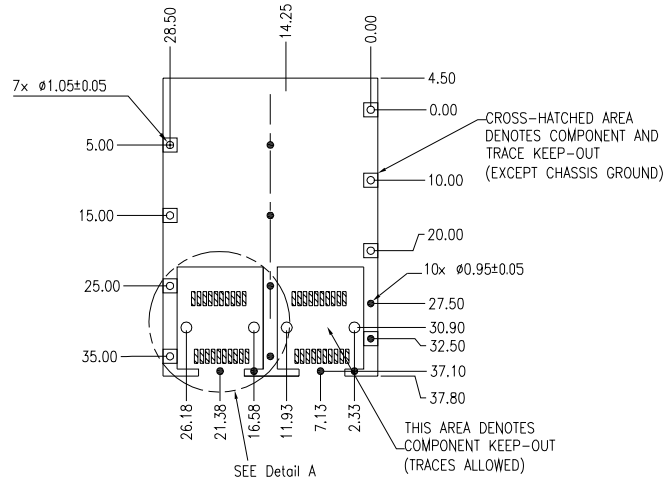
spec ref	RELEASE	dr	Art Lin	2016-04-18	projection	MM	size	scale	
tolerance std	TOLERANCES UNLESS OTHERWISE SPECIFIED	eng	Art Lin	2016-04-18			A4	1:1	
ISO406		ISO1101	chr			ecn no			
ISO1101	appr		Pei-Ming,Zheng	2016-04-18	product family	SFP+	rel level	Released	
surface	linear	0.X	±0.25	Amphenol FCi	title	SFP+ 1X2 CAGE ASSEMBLY EMI SPRING TYPE PRESS FIT WITH HEATSINK	dwg no	10127105	rev
		0.XX	±0.20						
0.XXX	±0.15								
ISO1302	angular	0°	±0.5°	www.fci.com	cat. no.	-	Product-Customer Drw	sheet 1 of 2	



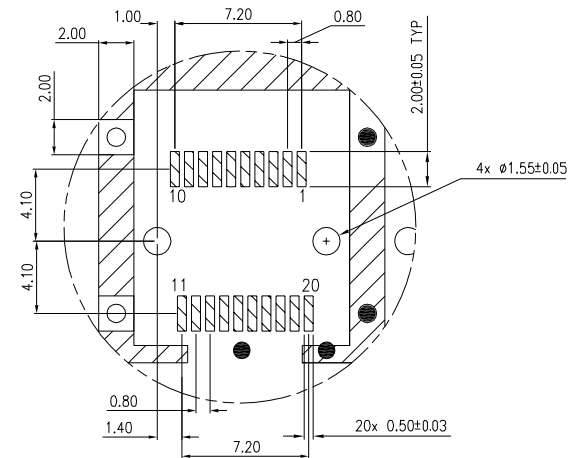
RECOMMENDED BEZEL CUT-CUT SINGLE SIDE APPLICATIONS



MOUNTED ON PC BOARD  
SHOWN THRU RECOMMENDED BEZEL



PCB LAYOUT THICKNESS=3.0MM (TOP VIEW)



Detail A  
SCALE 2.5:1

spec ref	RELEASE			dr	Art Lin	2016-04-18	projection	MM	size	scale
tolerance std	TOLERANCES UNLESS OTHERWISE SPECIFIED			eng	Art Lin	2016-04-18			A4	1:1
ISO406				chr			← →		ecn no	
ISO1101				appr	Pei-Ming,Zheng	2016-04-18	product family	SFP+	rel level	Released
surface	linear	0.X	±0.25	Amphenol FCi	title	SFP+ 1X2 CAGE ASSEMBLY EMI SPRING TYPE PRESS FIT WITH HEATSINK	dwg no	10127105	rev	D
		0.XX	±0.20							
0.XXX	±0.15									
ISO1302	angular	0°	±0.5°	www.fci.com	cat. no.	-	Product-Customer Drw		sheet 2 of 2	