
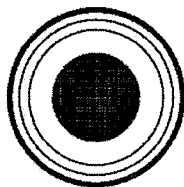


THIS INFORMATION IS CONFIDENTIAL AND PROPRIETARY TO CW INDUSTRIES INCORPORATED AND ITS AFFILIATES. IT MAY NOT BE DISCLOSED TO ANYONE, OTHER THAN CW INDUSTRIES PERSONNEL, WITHOUT WRITTEN AUTHORIZATION FROM CW INDUSTRIES INCORPORATED, SOUTHAMPTON, PENNSYLVANIA USA.

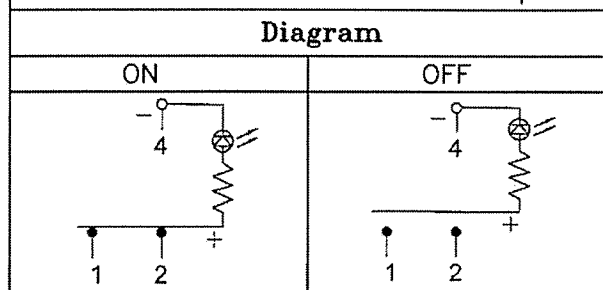
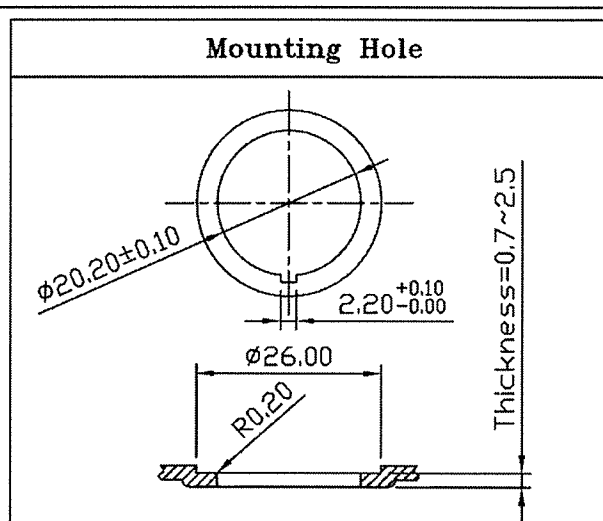
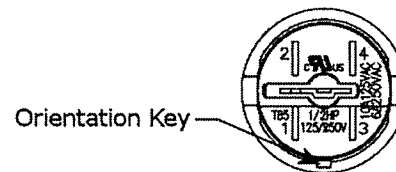
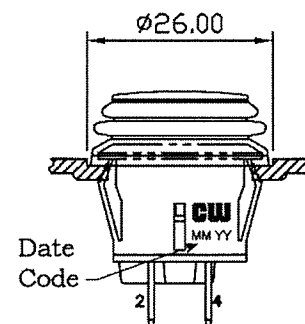
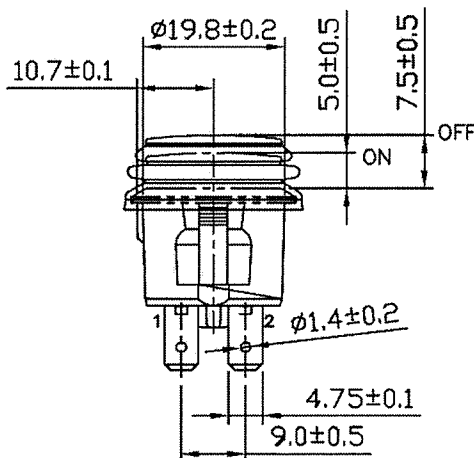
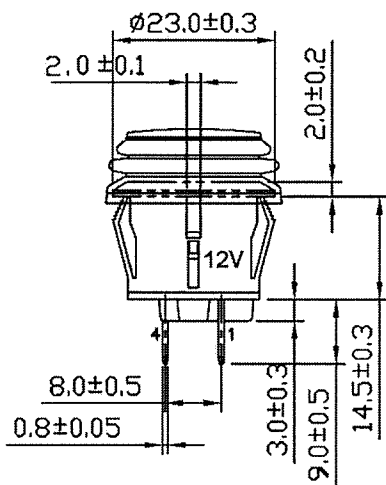
| | | |
|-----------------------|---|---|
| Rating | 10A 125VAC, 6A 250VAC 1/2HP 125/250VAC |  |
| Configured For | 20A 14VDC | |
| Contact Resistance | 50m ohm Max. | |
| Insulation Resistance | DC 500V 100M OHM Min. | |
| DIELECTRIC STRENGTH | AC 1500V 1 MINUTE | |
| Operation Temp. | - 25 °C ~ 85 °C | |
| Function | 3P SPST ON - OFF Lamp Dependent | |
| Lamp Type | LED 12VDC 14V w/resistor | |

MATERIAL:

- Frame: Black, Nylon 66 (94-V2)
- Actuator: PC Clear (94-V2), For Color Ref. "X" in Actuator/LED Color Chart and CW P/N.
- LED: For Color Ref. "X" in Actuator/LED Color Chart and CW P/N.
- Terminals: Silver plated, Copper alloy
- Waterproof Rubber: Black, Silicone
- Printed: None
- Waterproof: IP65



| ACTUATOR/LED COLOR | X |
|--------------------|---|
| Amber | A |
| Green | G |
| Red | R |
| Blue | U |
| White | W |



Full Travel: 4.5mm

RoHS Compliant

CW INDUSTRIES
Southampton, Pa. 18966
Tel 215.355.7080/www.cwind.com

Date Drawn: 6/28/12

Rev. 0

Unit: mm

Checked By: *G. Gold*

Title: **PUSH BUTTON SWITCH**

CW P/N: **GPB527D2B02BX1**