

From Off-The-Shelf to Market-Ready© New Age Enclosures is your Single Source Solution.
Let us quote modifying our Stock Enclosures to meet your end-use.
visit newageenclosures.com/services or call 855-4NA-ENCL today.

CNC CUTOUTS
PART DECORATING
CUSTOM COLOR AND MATERIAL
RF/EMI SHEILDING
CUSTOM TOOL INSERTS
CUSTOM ENCLOSURES AND DESIGN



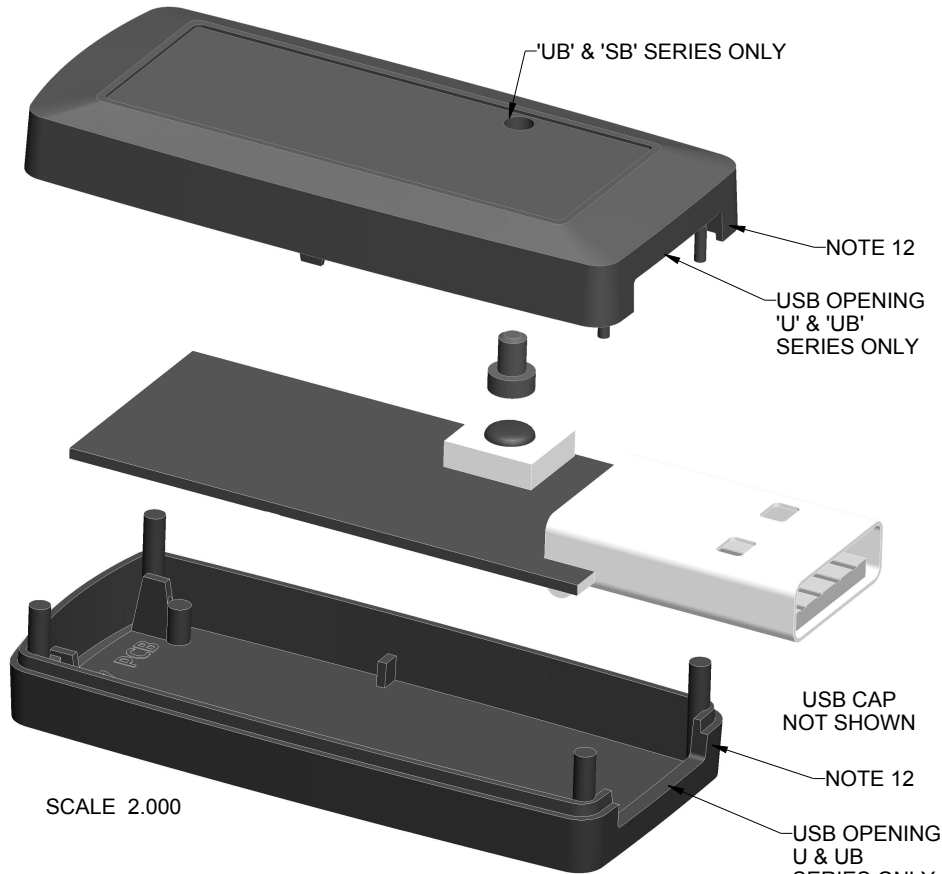
NEW AGE
ENCLOSURES

DEVELOP THE FUTURE



| 180804(x) CONFIGURATIONS | | | | | | | |
|----------------------------------|----|----|------|-----|-----|-------|----|
| | -S | -U | -62U | -SB | -UB | -62UB | -B |
| 180804 COVER | 1 | | | | | | |
| 180804 COVER w/USB OPENING | | 1 | 1 | | | | |
| 180804 COVER w/BUTTON HOLE | | | | 1 | | 1 | |
| 180804 COVER w/USB & BUTTON HOLE | | | | | 1 | | |
| 180804 BASE | 1 | | | 1 | | | |
| 180804 BASE w/USB | | 1 | | | 1 | | |
| 180804 BASE w/USB w/.062 PCB | | | 1 | | | 1 | |
| 180804 BUTTON | | | | | | | 1 |

| R E V I S I O N | | | | | |
|-----------------|----------|--------|--|-------------|----------|
| REV. | DRAWN BY | ECO No | DESCRIPTION | DATE | APPROVED |
| 1 | M BOYER | | PRELIMINARY RELEASE | 2005-May-04 | D.C. |
| | | | REVISIONS 2-11 ARCHIVED ON REV 12.1 | | |
| | | | REVISIONS 12.0-13.1 ARCHIVED ON REV 13.1 | | |
| 14.0 | M BOYER | 02316 | UPDATE CONFIGURATION TREE | 2016-Apr-20 | D.C. |
| 15.0 | M BOYER | 04516 | ADD .062" PCB OPTION TO CONFIGURATION TREE | 2016-Sep-02 | D.C. |
| 16.0 | M BOYER | 03117 | MAKE REFERENCE TO WALL RIB IN BASE NOT AVAILABLE IN ALL VERSIONS | 2017-Dec-14 | |



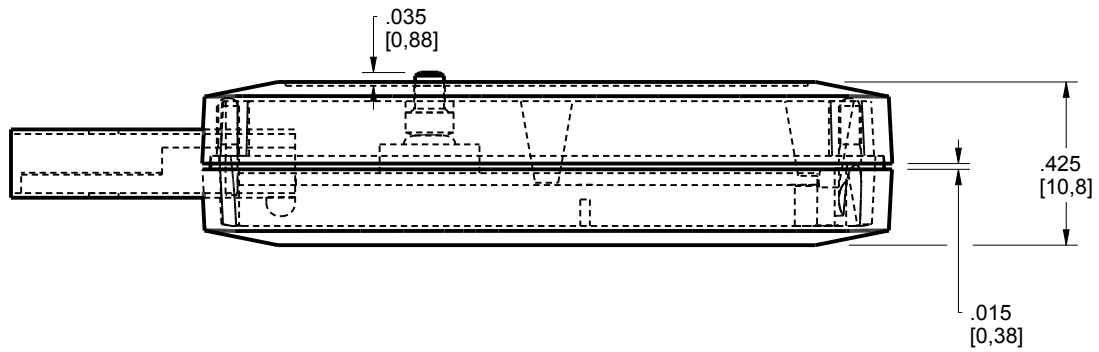
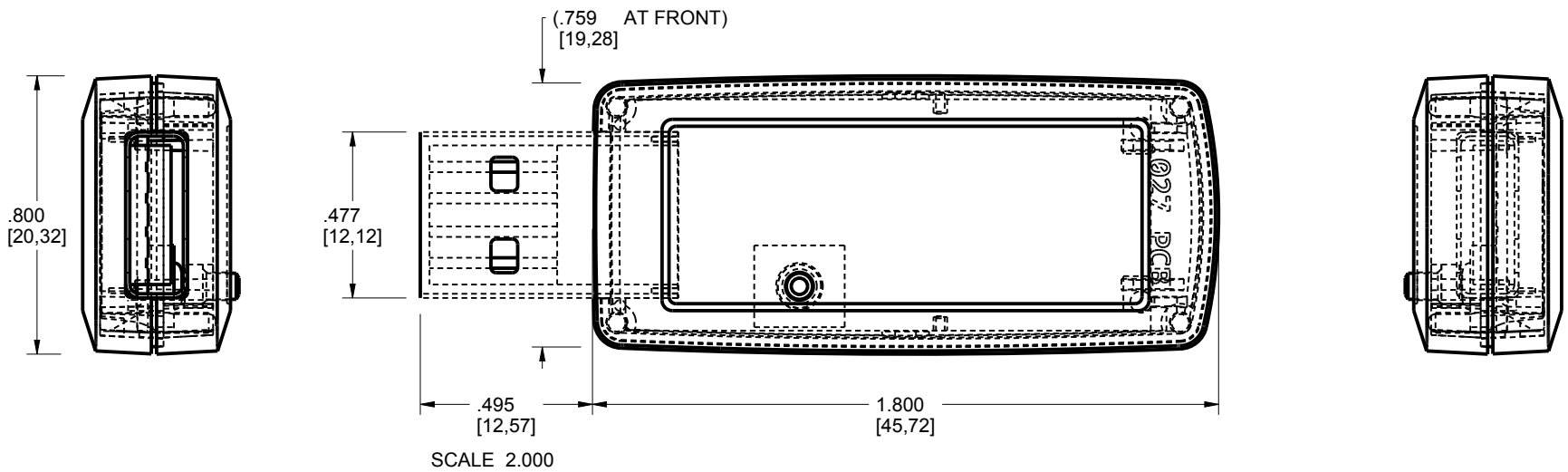
NOTES: UNLESS OTHERWISE SPECIFIED

- CORNERS DRAWN SHARP TO BE R.005 MAXIMUM.
- EXTERIOR SURFACE TEXTURE TO BE LIGHT EDM FINISH (EQUIVALENT TO MT-11010.)
- INTERIOR SURFACE TEXTURE TO BE: NONE
- ALL INSIDE RADII .010R, UNLESS OTHERWISE SPECIFIED.
- ALL EXTERNAL DIMENSIONS AFFECTED BY THE DRAFT APPLY AT THE LARGE END OF THE FEATURE, AND ALL INTERNAL FEATURES AFFECTED BY THE DRAFT APPLY AT THE SMALL END OF THE FEATURE UNLESS OTHERWISE SPECIFIED.
- 1 DEGREE DRAFT IN THE DIRECTION OF PULL IS PERMISSIBLE UNLESS OTHERWISE SPECIFIED.
- THIS ENCLOSURE IS A PRESS FIT ASSEMBLY. FOR PERMANENT CLOSURE: A DROP ADHESIVE OR ULTRASONIC WELDING IS REQUIRED.
- MATERIAL / COLOR: ABS PLASTIC IS STANDARD IN BLACK OR WHITE. CUSTOM MATERIALS AND COLORS ARE AVAILABLE UPON REQUEST FOR QUOTE.
- PCB SIZES ARE RECOMMENDATIONS ONLY. FINAL SIZES AND VERIFICATION OF ITS FIT ARE THE SOLE RESPONSIBILITY OF EACH CUSTOMER.
- STANDARD OR CUSTOM LABEL RECESSES ARE AVAILABLE FOR QUOTE.
- "STANDARD" VERSION ENCLOSURE COVER NOT AVAILABLE WITH RIBS. SEE SHEET 4 FOR DETAILS.
- THE GATE REMNANT FOR THIS ENCLOSURE IS LOCATED IN THIS POSITION TO MINIMIZE ANY COSMETIC IMPACT. IT IS HOWEVER VISIBLE AND VARIES IN SIZE / SHAPE. IT IS EASILY REMOVED WITH CLIPPERS. IF YOU WOULD LIKE NEW AGE TO CLIP THIS FOR YOU, PLEASE ASK YOUR SALES REPRESENTATIVE FOR A FREE QUOTE.
- ASSEMBLY POST DIMENSIONS WILL VARY DEPENDING ON THE "PRESS FIT" OF THE ENCLOSURE.

| ITEM | DESCRIPTION | MATERIAL | COLOR | QTY. |
|------|---------------------------|-------------------|-------------------|------|
| 4 | 180804 PCB - REFERENCE | .027"-.062" THICK | CUSTOMER SUPPLIED | 1 |
| 3 | 180804UB COVER - STANDARD | ABS | BLACK or WHITE | 1 |
| 2 | 180804UB BASE - STANDARD | ABS | BLACK or WHITE | 1 |
| 1 | 180804 BUTTON | SOLD SEPARATE | -- | 1 |

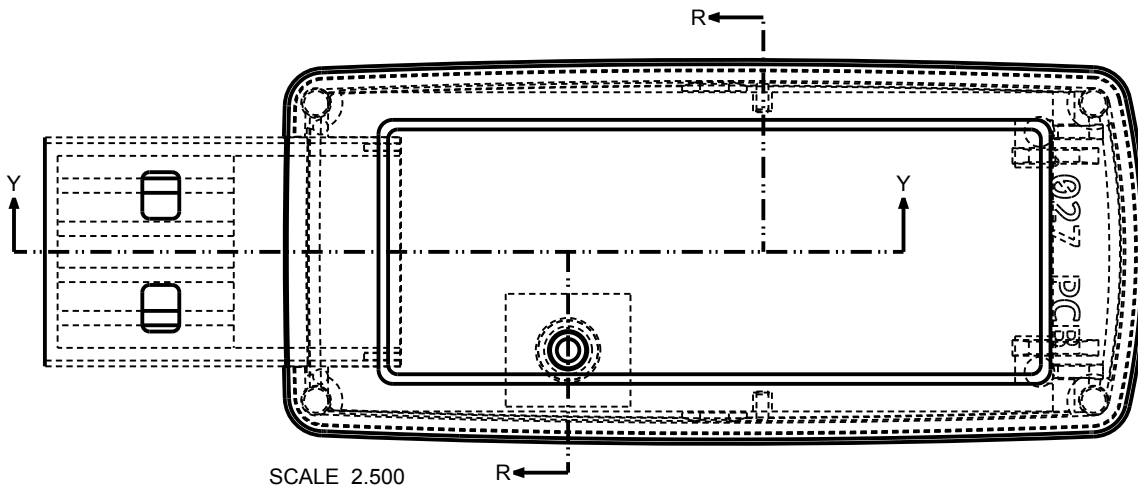
BILL OF MATERIALS

| | | | |
|---|--|--|------------------------------|
| THIRD ANGLE PROJECTION DO NOT SCALE DRAWING | TOLERANCES: UNLESS OTHERWISE SPECIFIED DIMENSIONS ARE IN U.S. INCHES. X.XX = .015 X.XXXX = .001 X.XXX = .010 X.X" = 1° | NEW AGE ENCLOSURES 2240 South Thornburg Street Santa Maria, CA. 93455 ph. (805) 595-1310 fax (805) 595-1024 www.newageenclosures.com | |
| | NEW AGE ENCLOSURES Customer's Part No: 180804 | | |
| APPROVAL BY DATE CHECK _____ ENG. _____ SCALE AS NOTED | DRAWN BY M BOYER DATE 2005-May-04 | SIZE A DRAWING NAME 180804_R16_0 | SHEET 1 OF 8 REV.DOC 16.0 |

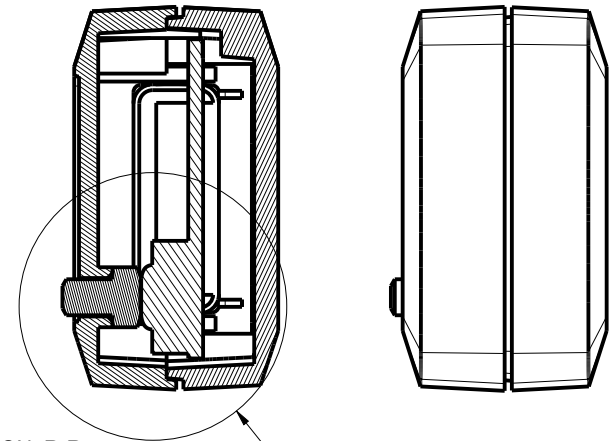


SCALE 2.000

| | | | |
|---|-------------|---|---------|
| TOLERANCES: UNLESS OTHERWISE SPECIFIED DIMENSIONS ARE IN U.S. INCHES. X.XX = .015 X.XXXX = .001 X.XXX = .010 X.X° = 1° | | NEW AGE ENCLOSURES | |
| NEW AGE ENCLOSURES | | 2240 South Thornburg Street Santa Maria, CA. 93455 ph. (805) 595-1310 fax (805) 595-1024 www.newageenclosures.com | |
| Customer's Part No: 180804 | | | |
| APPROVAL | BY | DATE | |
| CHECK | | | |
| ENG. | | | |
| SCALE | AS NOTED | | |
| DRAWN BY | SIZE | DRAWING NAME | SHEET |
| M BOYER | 2005-May-04 | A 180804_R16_0 | 2 OF 8 |
| | | | REV.DOC |
| | | | 16.0 |

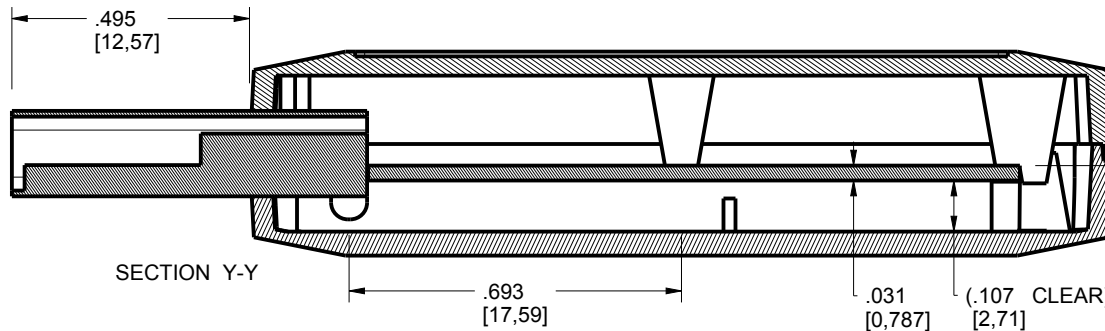


SCALE 2.500



SECTION R-R

SEE DETAIL A



SECTION Y-Y

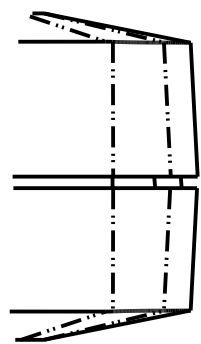
495
[12,57]

.693
[17,59]

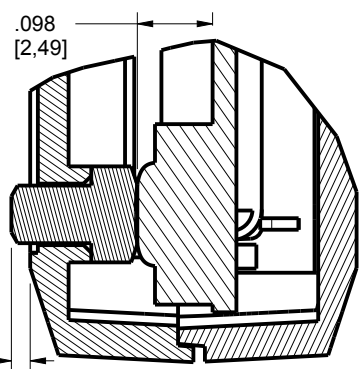
.031
[0,787]

(.107 CLEAR)
[2,71]

(.188 CLEAR)
[4,76]



SECTION P-P
SCALE 4.000



.025
[0,62]

.098
[2,49]

DETAIL A
SCALE 4.000

TOLERANCES: UNLESS OTHERWISE SPECIFIED
DIMENSIONS ARE IN U.S. INCHES.
X.XX = .015 X.XXXX = .001
X.XXX = .010 X.X° = 1°

NEW AGE ENCLOSURES
Customer's Part No: 180804

| | | |
|----------|----------|------|
| APPROVAL | BY | DATE |
| CHECK | | |
| ENG. | | |
| SCALE | AS NOTED | |

DRAWN BY
M BOYER 2005-May-04

NEW AGE ENCLOSURES
2240 South Thornburg Street Santa Maria, CA. 93455
ph. (805) 595-1310 fax (805) 595-1024
www.newageenclosures.com

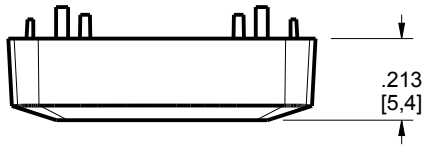
STANDARD - USB DRIVE
PXX-180804XX-XXX

SIZE **A** DRAWING NAME
180804_R16_0

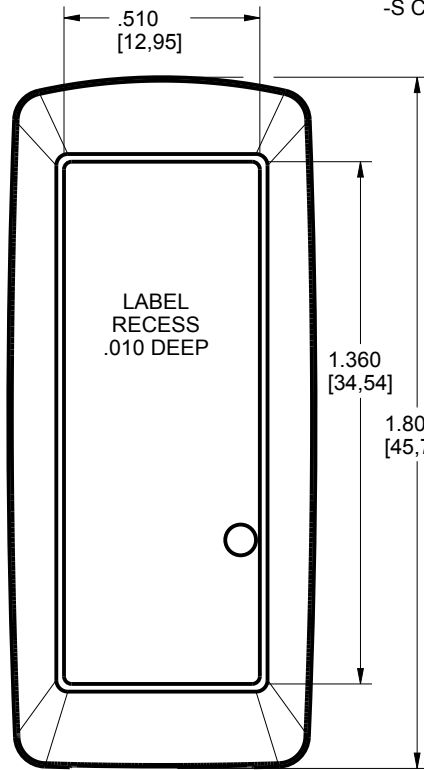
SHEET 3 OF 8 REV.DOC 16.0

180804 COVER

NOTE: CONFIGURATION 180804-S ONLY
 1. END RIBS NOT INCLUDED
 2. 1 DEGREE DRAFT ON SIDE RIB
 3. ALIGNMENT POSTS .080" TALL

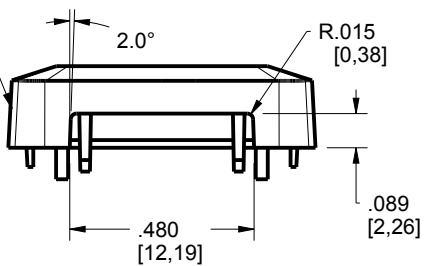


INTERIOR SUPPORT RIBS
 NOT AVAILABLE ON
 -S CONFIGURATION

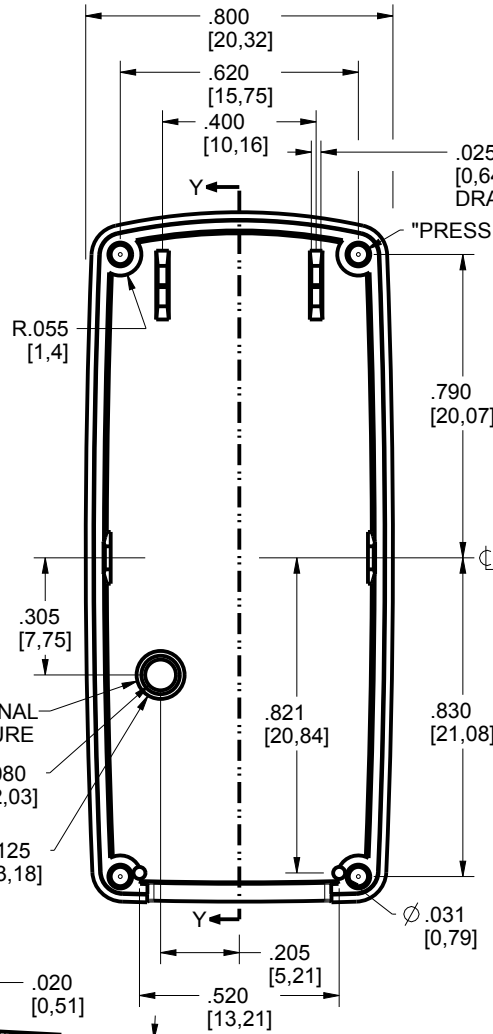
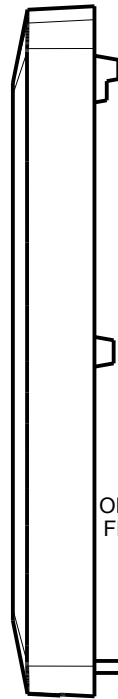


SCALE 2.000

3° DRAFT TYP.

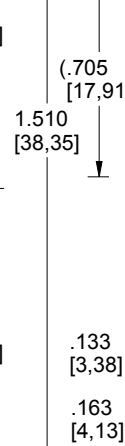


.032 FOR -S CONFIGURATION
 .010 FOR -U/-UB CONFIGURATION

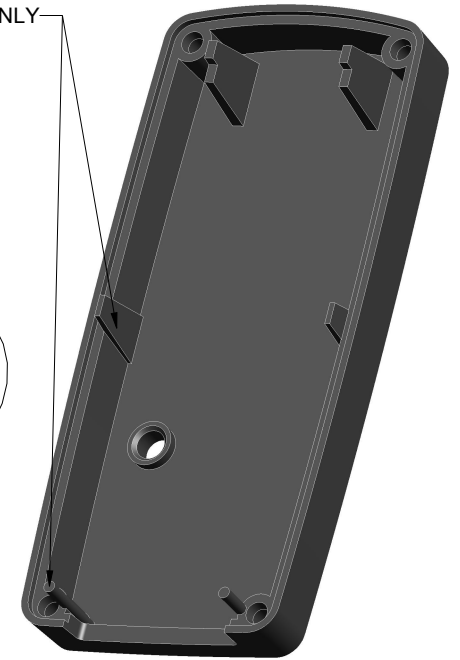


SEE DETAIL R

.025 +1°
[0,64]
DRAFT/SIDE



SECTION Y-Y



SCALE 2.000



TOLERANCES: UNLESS OTHERWISE SPECIFIED
 DIMENSIONS ARE IN U.S. INCHES.

X.XX = .015 X.XXXX = .001
 X.XXX = .010 X.X° = 1°

NEW AGE ENCLOSURES

NEW AGE ENCLOSURES
 2240 South Thornburg Street Santa Maria, CA. 93455
 ph. (805) 595-1310 fax (805) 595-1024

www.newageenclosures.com

Customer's Part No: 180804

APPROVAL BY DATE

CHECK

ENG.

SCALE AS NOTED

DRAWN BY M BOYER

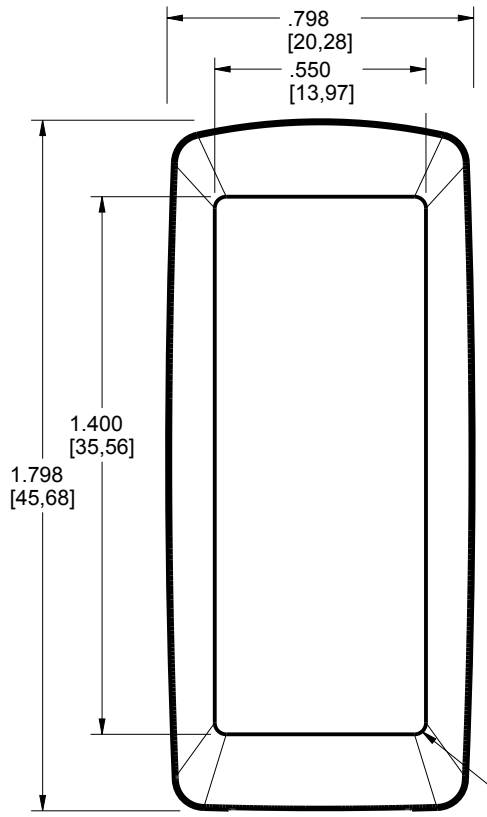
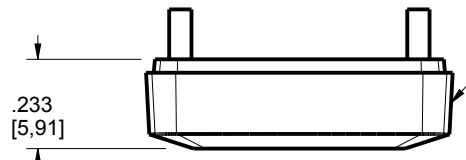
2005-May-04

SIZE A DRAWING NAME 180804_R16_0

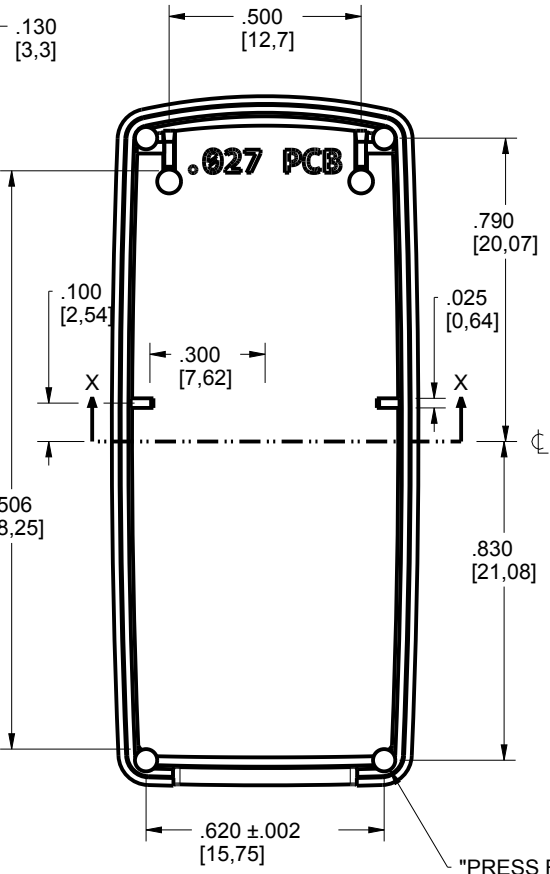
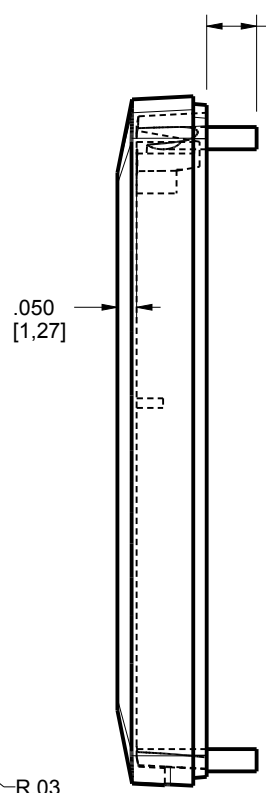
SHEET 4 OF 8 REV.DOC 16.0

STANDARD - USB DRIVE
 PXX-180804XX-XXX

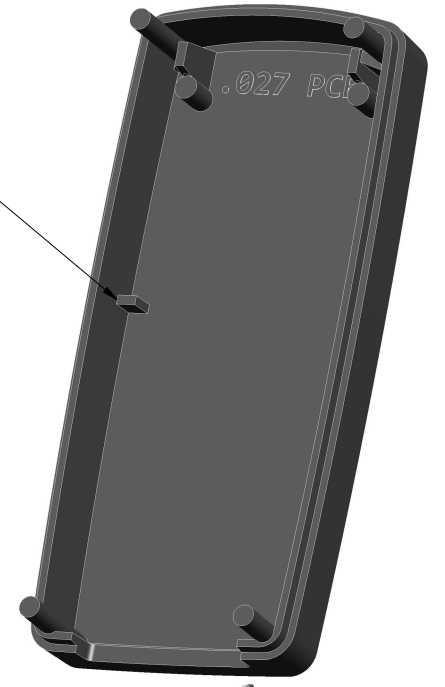
180804 BASE



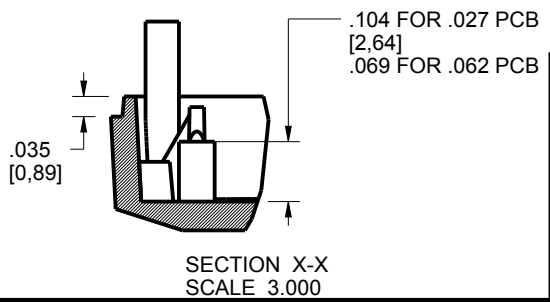
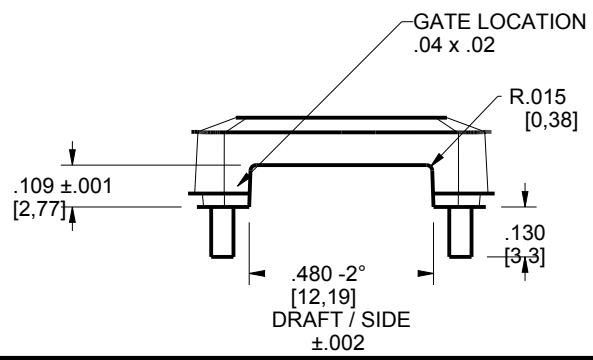
SCALE 2.000



REFERENCE ONLY FEATURE.
NOT AVAILABLE IN ALL VERSIONS.



SCALE 2.000



SECTION X-X
SCALE 3.000

TOLERANCES: UNLESS OTHERWISE SPECIFIED
DIMENSIONS ARE IN U.S. INCHES.
X.XX = .015 X.XXXX = .001
X.XXX = .010 X.XX° = 1°

NEW AGE ENCLOSURES
Customer's Part No: 180804

| | | |
|----------|-------------|------|
| APPROVAL | BY | DATE |
| CHECK | | |
| ENG. | | |
| SCALE | AS NOTED | |
| DRAWN BY | 2005-May-04 | |
| M BOYER | | |

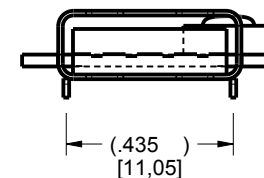
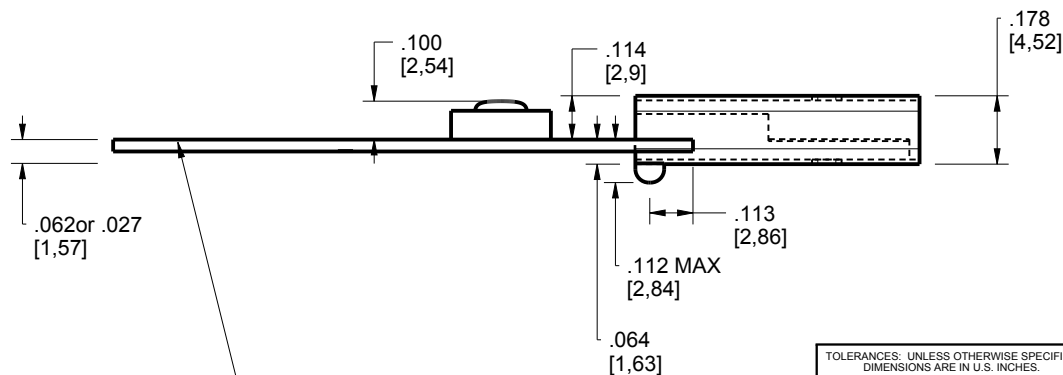
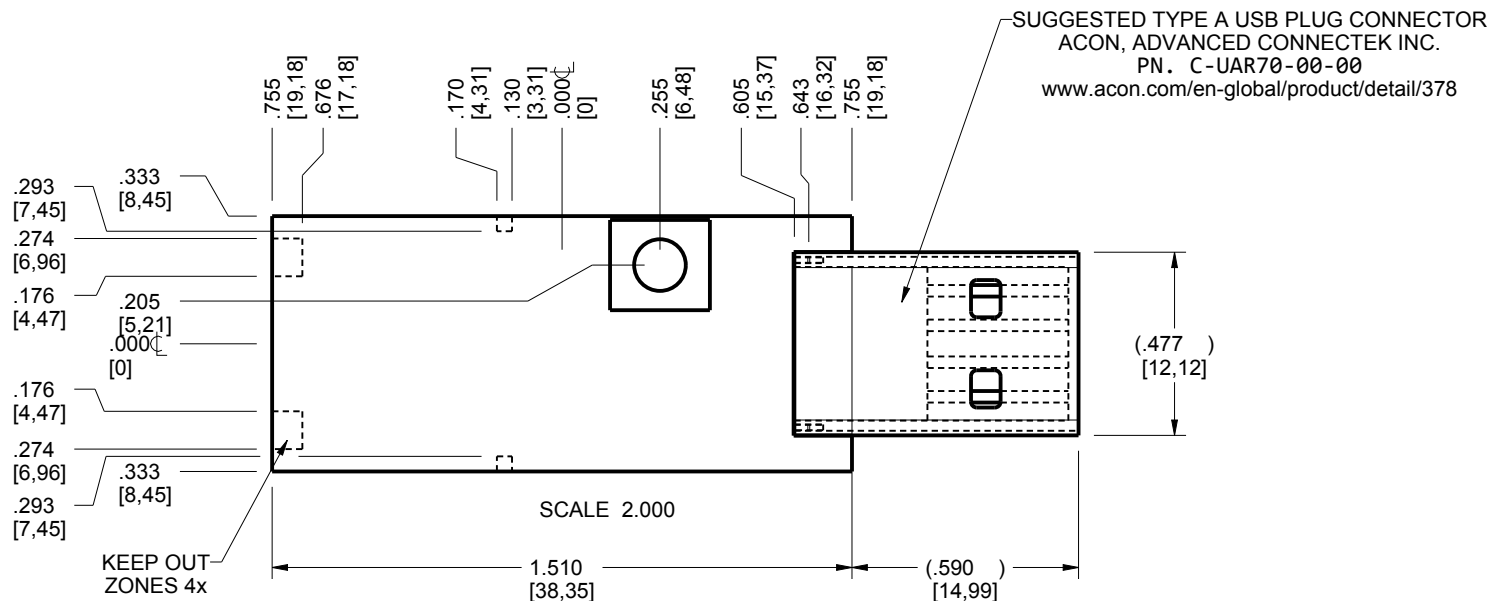
NEW AGE ENCLOSURES
2240 South Thornburg Street Santa Maria, CA. 93455
ph. (805) 595-1310 fax (805) 595-1024
www.newageenclosures.com

**STANDARD - USB DRIVE
PXX-180804XX-XXX**

| | | | |
|------|--------------|--------|---------|
| SIZE | DRAWING NAME | SHEET | REV.DOC |
| A | 180804_R16_0 | 5 OF 8 | 16.0 |

P180804 PCB - CUSTOMER SUPPLIED

PCB SIZES ARE RECOMMENDATIONS ONLY. FINAL SIZES AND VERIFICATION OF ITS FIT ARE THE SOLE RESPONSIBILITY OF THE CUSTOMER.



"STANDARD" 180804-S CONFIGURATION
CAN ACCOMMODATE 0.027" to 0.031" PCB.
OR
180804-62 CONFIGURATION
CAN ACCOMMODATE 0.062" PCB.

TOLERANCES: UNLESS OTHERWISE SPECIFIED
DIMENSIONS ARE IN U.S. INCHES.
X.XX = .015 X.XXXX = .001
X.XXX = .010 X.X' = 1°

NEW AGE ENCLOSURES

Customer's Part No: 180804

APPROVAL BY DATE

CHECK

ENG.

SCALE AS NOTED

DRAWN BY M BOYER 2005-May-04

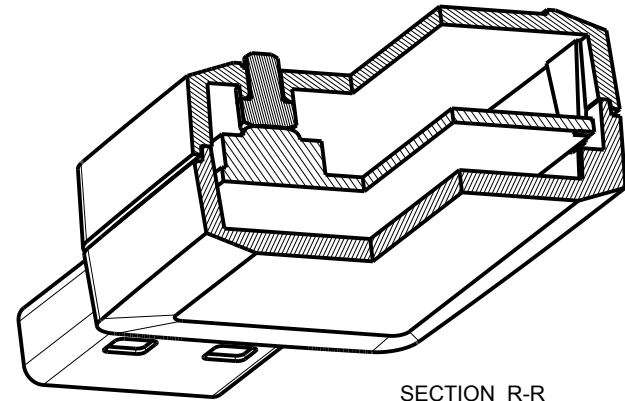
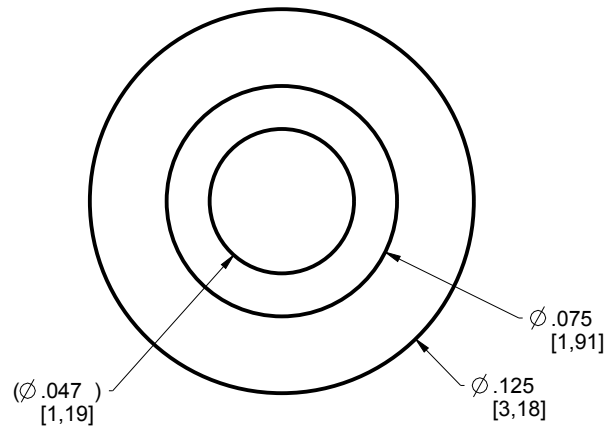
NEW AGE ENCLOSURES

2240 South Thornburg Street Santa Maria, CA. 93455
ph. (805) 595-1310 fax (805) 595-1024
www.newageenclosures.com

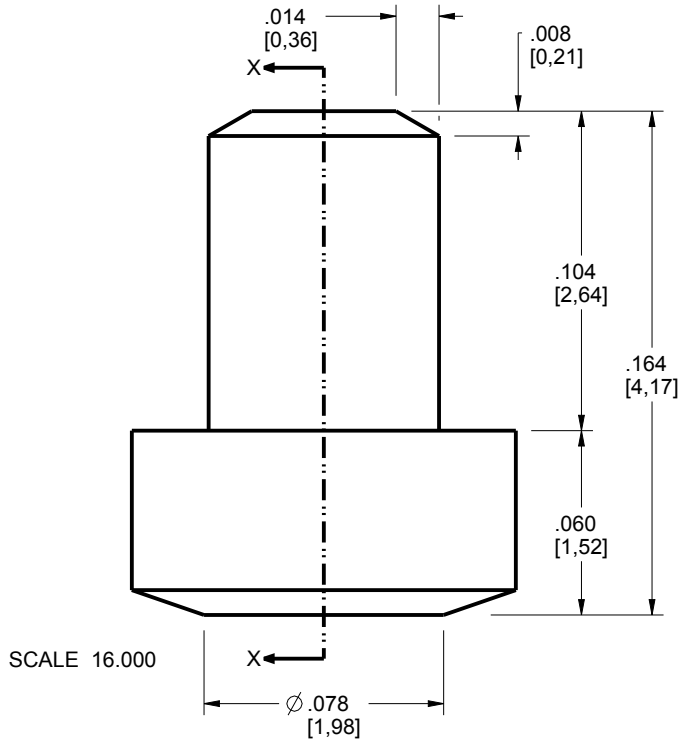
**STANDARD - USB DRIVE
PXX-180804XX-XXX**

SIZE A DRAWING NAME 180804_R16_0 SHEET 6 OF 8 REV.DOC 16.0

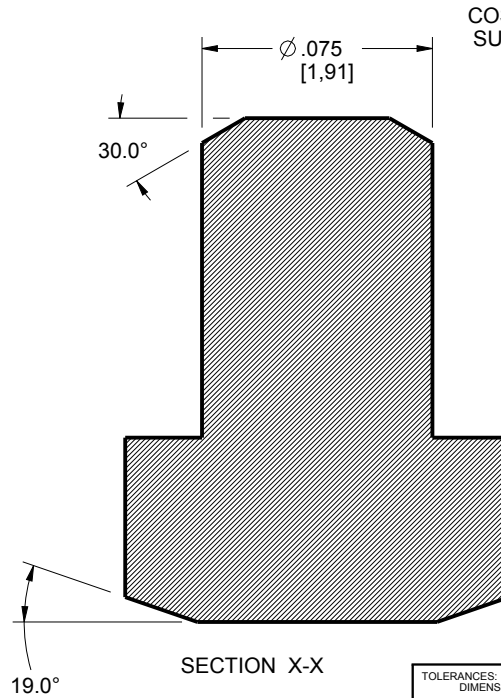
OPTIONAL BUTTON



SECTION R-R
SCALE 2.500

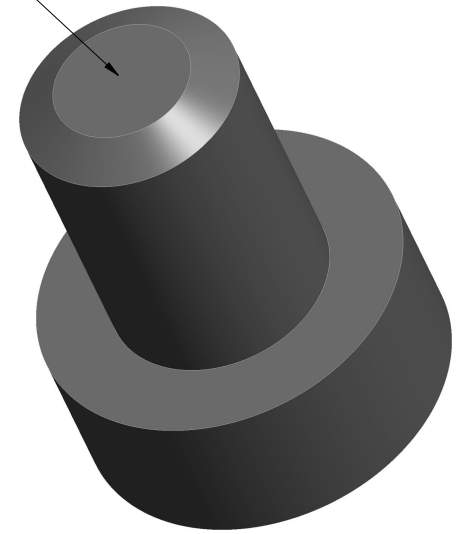


SCALE 16.000



SECTION X-X

COSMETIC SURFACE



SCALE 16.000

TOLERANCES: UNLESS OTHERWISE SPECIFIED
DIMENSIONS ARE IN U.S. INCHES.

X.XX = .015 X.XXXX = .001
X.XXX = .010 X.X° = 1°

NEW AGE ENCLOSURES

NEW AGE ENCLOSURES
2240 South Thornburg Street Santa Maria, CA. 93455
ph. (805) 595-1310 fax (805) 595-1024

www.newageenclosures.com

Customer's Part No: 180804

APPROVAL BY DATE

CHECK

ENG.

SCALE AS NOTED

DRAWN BY M BOYER 2005-May-04

**STANDARD - USB DRIVE
PXX-180804XX-XXX**

SIZE A DRAWING NAME 180804_R16_0

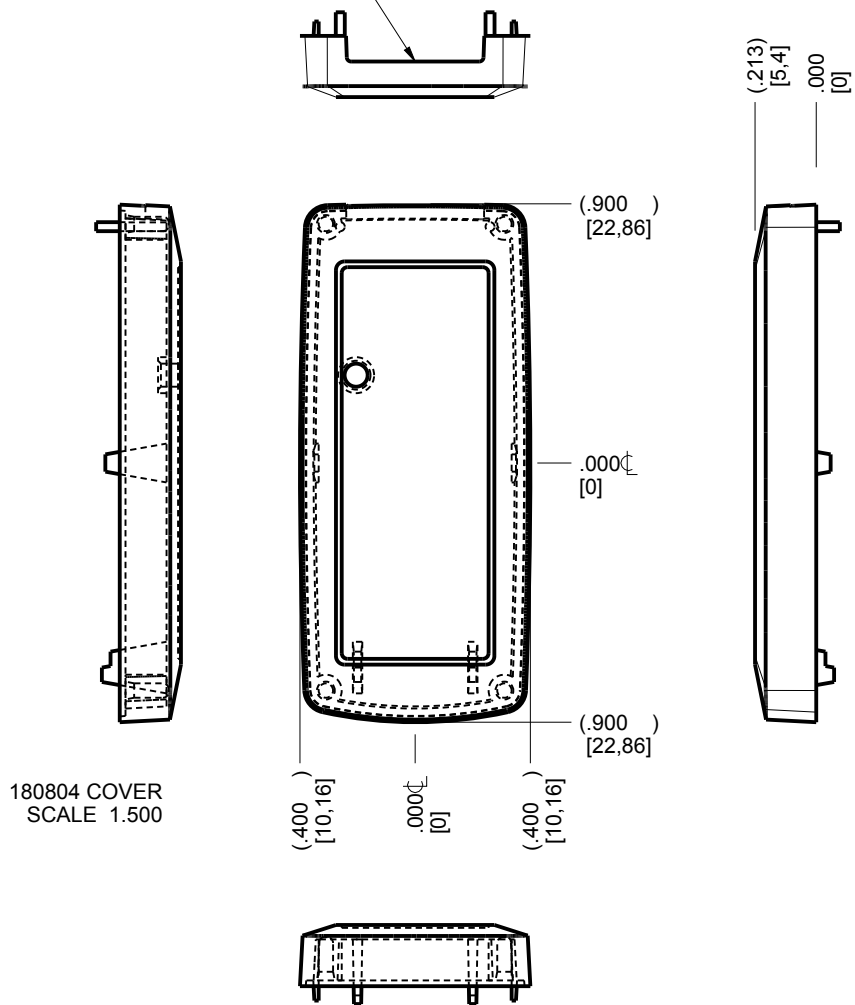
SHEET 7 OF 8 REV.DOC 16.0

2nd OPERATION DETAILS

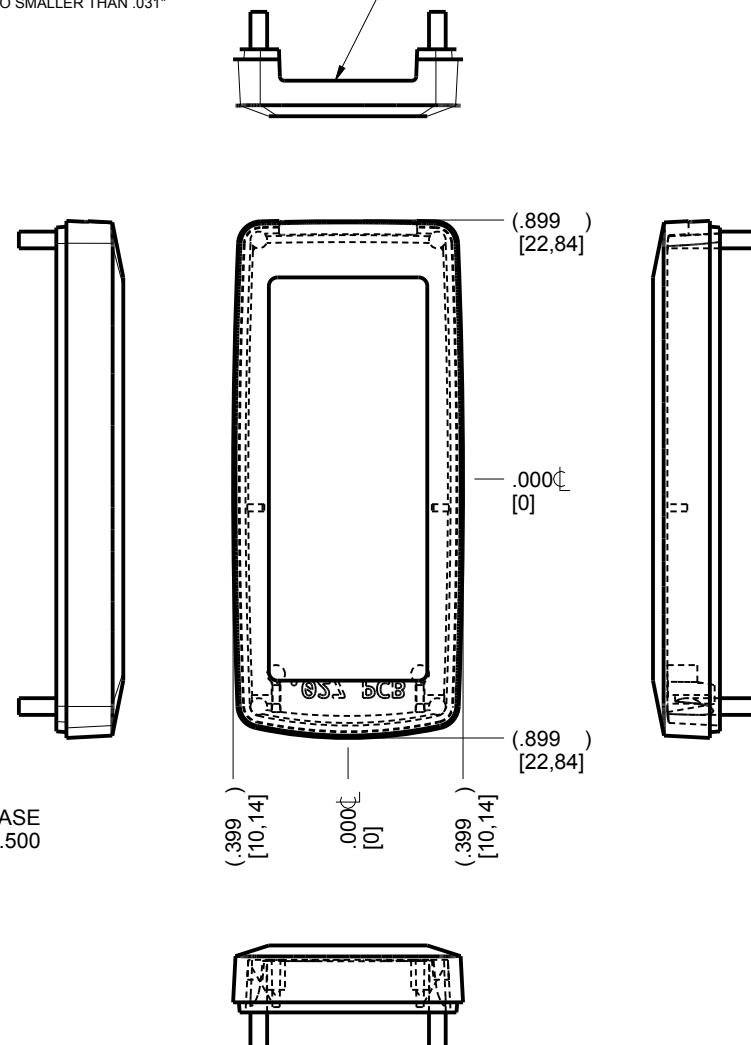
NEW AGE ENCLOSURES DELIVERS YOUR ENCLOSURE MARKET-READY WITH IN-HOUSE
CNC MACHINING, PAD PRINTING, ASSEMBLY, AND FULFILLMENT.
ALL SURFACES AND AREAS ARE AVAILABLE FOR CNC ALTERATION BY NEW AGE ENCLOSURES
CALL (805) 595-1310 FOR PRICING AND SCHEDULE.
THE INSIDE RADIUS OF ANY MACHINED FEATURES SHOULD BE NO SMALLER THAN .031"

MOLDED TYPE A
USB OPENING

MOLDED TYPE A
USB OPENING



180804 COVER
SCALE 1.500



180804 BASE
SCALE 1.500

PXX-180804U-XXX COVER - ABS, BLACK

| STEP NO | DESCRIPTION | CUTTER | FIXTURE | ORIENTATION | PROGRAM |
|---------|-------------|---------------|---------|--------------------|---------|
| 1-C-C1 | END CUT | T2 = .062" EM | 100 | 2 UP LR- CENTER XY | o1001 |
| 2-C-C2 | END CUT | T2 = .062" EM | 100 | 2 UP LR- CENTER XY | o1002 |

PXX-180804U-XXX BASE - ABS, BLACK

| STEP NO | DESCRIPTION | CUTTER | FIXTURE | ORIENTATION | PROGRAM |
|---------|-------------|---------------|---------|--------------------|---------|
| 3-B-C1 | END CUT | T2 = .062" EM | 100 | 2 UP LR- CENTER XY | o1003 |
| 4-B-C2 | END CUT | T2 = .062" EM | 100 | 2 UP LR- CENTER XY | o1004 |

TOLERANCES: UNLESS OTHERWISE SPECIFIED
DIMENSIONS ARE IN U.S. INCHES.
X.XX = .015 X.XXXX = .001
X.XXX = .010 X.X° = 1°

NEW AGE ENCLOSURES
Customer's Part No: 180804

NEW AGE ENCLOSURES
2240 South Thornburg Street Santa Maria, CA. 93455
ph. (805) 595-1310 fax (805) 595-1024
www.newageenclosures.com

| | | |
|----------|-------------|------|
| APPROVAL | BY | DATE |
| CHECK | | |
| ENG. | | |
| SCALE | AS NOTED | |
| DRAWN BY | M BOYER | |
| | 2005-May-04 | |

STANDARD - USB DRIVE
PXX-180804XX-XXX

| | | | |
|------|--------------|--------|---------|
| SIZE | DRAWING NAME | SHEET | REV.DOC |
| A | 180804_R16_0 | 8 OF 8 | 16.0 |

Mouser Electronics

Authorized Distributor

Click to View Pricing, Inventory, Delivery & Lifecycle Information:

New Age Enclosures:

[P3A-180804UB](#) [P3A-180804U](#) [P1A-180804U](#) [P1A-180804S](#) [P1A-180804UB](#) [P3A-180804S](#) [P1A-18080462UB](#)
[P3A-18080462UB](#) [P1A-18080462U](#) [P3A-18080462U](#)