

FEATURES

Low noise

0.9 nV/√Hz typical (1.2 nV/√Hz maximum) input voltage noise at 1 kHz

50 nV p-p input voltage noise, 0.1 Hz to 10 Hz

Low distortion

−120 dB total harmonic distortion at 20 kHz

Excellent ac characteristics

800 ns settling time to 16 bits (10 V step)

110 MHz gain bandwidth (G = 1000)

8 MHz bandwidth (G = 10)

280 kHz full power bandwidth at 20 V p-p

20 V/μs slew rate

Excellent dc precision

80 μV maximum input offset voltage

1.0 μV/°C V_{os} drift

Specified for ±5 V and ±15 V power supplies

High output drive current of 50 mA

APPLICATIONS

Professional audio preamplifiers

IR, CCD, and sonar imaging systems

Spectrum analyzers

Ultrasound preamplifiers

Seismic detectors

Σ-Δ ADC/DAC buffers

GENERAL DESCRIPTION

The **AD797** is a very low noise, low distortion operational amplifier ideal for use as a preamplifier. The low noise of 0.9 nV/√Hz and low total harmonic distortion of −120 dB in audio bandwidths give the **AD797** the wide dynamic range necessary for preamps in microphones and mixing consoles.

Furthermore, the **AD797** has an excellent slew rate of 20 V/μs and a 110 MHz gain bandwidth, which makes it highly suitable for low frequency ultrasound applications.

The **AD797** is also useful in infrared (IR) and sonar imaging applications, where the widest dynamic range is necessary. The low distortion and 16-bit settling time of the **AD797** make it ideal for buffering the inputs to Σ-Δ ADCs or the outputs of high resolution DACs, especially when the device is used in critical applications such as seismic detection or in spectrum analyzers. Key features such as a 50 mA output current drive and the specified power supply voltage range of ±5 V to ±15 V make the **AD797** an excellent general-purpose amplifier.

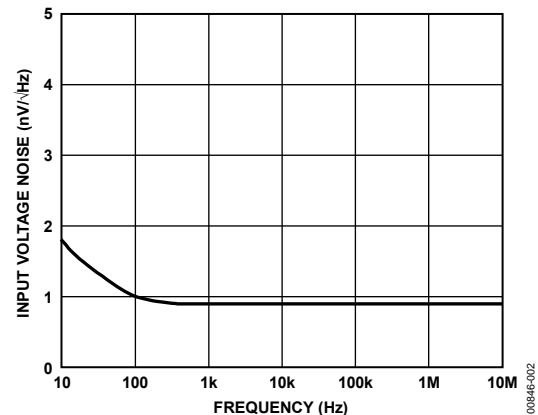


Figure 1. **AD797** Voltage Noise Spectral Density

Table 1. Low Noise Op Amps

Voltage Noise	0.9 nV	1.1 nV	1.8 nV	2.8 nV	3.2 nV	3.8 nV
Single	AD797	AD8597	ADA4004-1	AD8675/ADA4075-2	OP27	AD8671
Dual		AD8599	ADA4004-2	AD8676	OP270	AD8672
Quad			ADA4004-4		OP470	AD8674

Rev. K

Document Feedback

Information furnished by Analog Devices is believed to be accurate and reliable. However, no responsibility is assumed by Analog Devices for its use, nor for any infringements of patents or other rights of third parties that may result from its use. Specifications subject to change without notice. No license is granted by implication or otherwise under any patent or patent rights of Analog Devices. Trademarks and registered trademarks are the property of their respective owners.

TABLE OF CONTENTS

Features	1	Noise and Source Impedance Considerations	12
Applications.....	1	Low Frequency Noise	12
General Description	1	Wideband Noise	12
Revision History	2	Bypassing Considerations	13
Specifications.....	3	The Noninverting Configuration.....	13
Absolute Maximum Ratings.....	5	The Inverting Configuration	14
Pin Configuration.....	5	Driving Capacitive Loads.....	14
Thermal Resistance	5	Settling Time.....	14
ESD Caution.....	5	Distortion Reduction.....	15
Typical Performance Characteristics	6	Outline Dimensions	18
Theory of Operation	11	Ordering Guide	19

REVISION HISTORY

3/15—Rev. J to Rev. K		7/05—Rev. D to Rev. E	
Changes to Figure 35.....	12	Updated Figure 1 Caption.....	1
Changes to Ordering Guide	19	Deleted Metallization Photo	6
2/14—Rev. I to Rev. J		Changes to Equation 1	12
Changes to Power Supply Rejection Parameter, Table 2	3	Updated Outline Dimensions.....	19
3/13—Rev. H to Rev. I		Changes to Ordering Guide	20
Added Figure 18.....	8	10/02—Rev. C to Rev. D	
6/10—Rev. G to Rev. H		Deleted 8-Lead CERDIP Package (Q-8)	Universal
Added Table 1; Renumbered Sequentially	1	Edits to Specifications.....	2
Moved Figure 1 to Absolute Maximum Ratings Section; Renumbered Sequentially.....	5	Edits to Absolute Maximum Ratings	3
Changes to Table 3.....	5	Edits to Ordering Guide	3
Added Thermal Resistance Section and Table 4	5	Edits to Table I	9
Moved Figure 3 to Typical Performance Characteristics Section.....	10	Deleted Operational Amplifiers Graphic	15
Change to Noise and Source Impedance Considerations Section.....	12	Updated Outline Dimensions.....	15
Changes to Ordering Guide	19		
9/08—Rev. F to Rev. G			
Changes to Input Common-Mode Voltage Range Parameter, Table 1	3		
1/08—Rev. E to Rev. F			
Changes to Absolute Maximum Ratings	5		
Change to Equation 1.....	12		
Changes to the Noninverting Configuration Section.....	13		
Updated Outline Dimensions	19		
Changes to Ordering Guide	20		

SPECIFICATIONS

$T_A = 25^\circ\text{C}$ and $V_S = \pm 15\text{ V}$ dc, unless otherwise noted.

Table 2.

Parameter	Conditions	Supply Voltage (V)	AD797A			AD797B			Unit	
			Min	Typ	Max	Min	Typ	Max		
INPUT OFFSET VOLTAGE	T_{MIN} to T_{MAX}	$\pm 5\text{ V}, \pm 15\text{ V}$	25	80		10	40		μV	
			50	125/180		30	60		μV	
Offset Voltage Drift		$\pm 5\text{ V}, \pm 15\text{ V}$	0.2	1.0		0.2	0.6		$\mu\text{V}/^\circ\text{C}$	
INPUT BIAS CURRENT	T_{MIN} to T_{MAX}	$\pm 5\text{ V}, \pm 15\text{ V}$	0.25	1.5		0.25	0.9		μA	
			0.5	3.0		0.25	2.0		μA	
INPUT OFFSET CURRENT	T_{MIN} to T_{MAX}	$\pm 5\text{ V}, \pm 15\text{ V}$	100	400		80	200		nA	
			120	600/700		120	300		nA	
OPEN-LOOP GAIN	$V_{\text{OUT}} = \pm 10\text{ V}$	$\pm 15\text{ V}$	1	20		2	20		$\text{V}/\mu\text{V}$	
	$R_{\text{LOAD}} = 2\text{ k}\Omega$		1	6		2	10		$\text{V}/\mu\text{V}$	
	T_{MIN} to T_{MAX}		1	15		2	15		$\text{V}/\mu\text{V}$	
	$R_{\text{LOAD}} = 600\ \Omega$		1	5		2	7		$\text{V}/\mu\text{V}$	
	T_{MIN} to T_{MAX} At 20 kHz ¹		14,000	20,000		14,000	20,000		V/V	
DYNAMIC PERFORMANCE	Gain Bandwidth Product	$G = 1000$		110		110			MHz	
		$G = 1000^2$		450		450			MHz	
	-3 dB Bandwidth	$G = 10$		8		8			MHz	
	Full Power Bandwidth ¹	$V_{\text{OUT}} = 20\text{ V p-p}$, $R_{\text{LOAD}} = 1\text{ k}\Omega$		280		280			kHz	
	Slew Rate	$R_{\text{LOAD}} = 1\text{ k}\Omega$	12.5	20		12.5	20		$\text{V}/\mu\text{s}$	
Settling Time to 0.0015%	10 V step	$\pm 15\text{ V}$		800	1200		800	1200	ns	
COMMON-MODE REJECTION	$V_{\text{CM}} = \text{CMVR}$	$\pm 5\text{ V}, \pm 15\text{ V}$	114	130		120	130		dB	
	T_{MIN} to T_{MAX}		110	120		114	120		dB	
POWER SUPPLY REJECTION	$V_S = \pm 5\text{ V}$ to $\pm 18\text{ V}$		114	130		120	130		dB	
	T_{MIN} to T_{MAX}		110	120		114	120		dB	
INPUT VOLTAGE NOISE	$f = 0.1\text{ Hz}$ to 10 Hz	$\pm 15\text{ V}$		50			50		nV p-p	
	$f = 10\text{ Hz}$			1.7			1.7	2.5	$\text{nV}/\sqrt{\text{Hz}}$	
	$f = 1\text{ kHz}$			0.9	1.2		0.9	1.2	$\text{nV}/\sqrt{\text{Hz}}$	
	$f = 10\text{ Hz}$ to 1 MHz			1.0	1.3		1.0	1.2	$\mu\text{V rms}$	
					2.0			2.0		$\text{pA}/\sqrt{\text{Hz}}$
INPUT CURRENT NOISE	$f = 1\text{ kHz}$	$\pm 15\text{ V}$		2.0			2.0		$\text{pA}/\sqrt{\text{Hz}}$	
INPUT COMMON-MODE VOLTAGE RANGE		$\pm 15\text{ V}$	± 11	± 12		± 11	± 12		V	
		$\pm 5\text{ V}$	± 2.5	± 3		± 2.5	± 3		V	
OUTPUT VOLTAGE SWING	$R_{\text{LOAD}} = 2\text{ k}\Omega$	$\pm 15\text{ V}$	± 12	± 13		± 12	± 13		V	
	$R_{\text{LOAD}} = 600\ \Omega$		± 11	± 13		± 11	± 13		V	
	$R_{\text{LOAD}} = 600\ \Omega$		$\pm 5\text{ V}$	± 2.5	± 3		± 2.5	± 3		V
	Short-Circuit Current		$\pm 5\text{ V}, \pm 15\text{ V}$		80			80		mA
	Output Current ³		$\pm 5\text{ V}, \pm 15\text{ V}$	30	50		30	50		mA
TOTAL HARMONIC DISTORTION	$R_{\text{LOAD}} = 1\text{ k}\Omega$, $C_N = 50\text{ pF}$, $f = 250\text{ kHz}$, 3 V rms	$\pm 15\text{ V}$		-98	-90		-98	-90		dB
	$R_{\text{LOAD}} = 1\text{ k}\Omega$, $f = 20\text{ kHz}$, 3 V rms			-120	-110		-120	-110		dB

Parameter	Conditions	Supply Voltage (V)	AD797A			AD797B			Unit
			Min	Typ	Max	Min	Typ	Max	
INPUT CHARACTERISTICS									
Input Resistance									
Differential				7.5			7.5		k Ω
Common Mode				100			100		M Ω
Input Capacitance									
Differential ⁴				20			20		pF
Common Mode				5			5		pF
OUTPUT RESISTANCE	$A_V = 1, f = 1 \text{ kHz}$			3				3	m Ω
POWER SUPPLY									
Operating Range			± 5		± 18	± 5		± 18	V
Quiescent Current		$\pm 5 \text{ V}, \pm 15 \text{ V}$		8.2	10.5		8.2	10.5	mA

¹ Full power bandwidth = slew rate/ $2\pi V_{PEAK}$.

² Specified using external decoupling capacitor.

³ Output current for $|V_S - V_{OUT}| > 4 \text{ V}$, $A_{OL} > 200 \text{ k}\Omega$.

⁴ Differential input capacitance consists of 1.5 pF package capacitance and 18.5 pF from the input differential pair.

ABSOLUTE MAXIMUM RATINGS

Table 3.

Parameter	Ratings
Supply Voltage	± 18 V
Input Voltage	$\pm V_S$
Differential Input Voltage ¹	± 0.7 V
Output Short-Circuit Duration	Indefinite within maximum internal power dissipation
Storage Temperature Range (N, R Suffix)	-65°C to $+125^\circ\text{C}$
Operating Temperature Range	-40°C to $+85^\circ\text{C}$
Lead Temperature (Soldering 60 sec)	300°C

¹The AD797 inputs are protected by back-to-back diodes. To achieve low noise, internal current-limiting resistors are not incorporated into the design of this amplifier. If the differential input voltage exceeds ± 0.7 V, the input current should be limited to less than 25 mA by series protection resistors. Note, however, that this degrades the low noise performance of the device.

Stresses at or above those listed under Absolute Maximum Ratings may cause permanent damage to the product. This is a stress rating only; functional operation of the product at these or any other conditions above those indicated in the operational section of this specification is not implied. Operation beyond the maximum operating conditions for extended periods may affect product reliability.

PIN CONFIGURATION

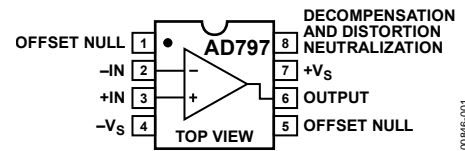


Figure 2. 8-Lead Plastic Dual In-Line Package [PDIP] and 8-Lead Standard Small Outline Package [SOIC]

THERMAL RESISTANCE

θ_{JA} is specified for the device soldered on a 4-layer JEDEC standard printed circuit board (PCB) with zero airflow for the SOIC package, and a 2-layer JEDEC standard printed circuit board (PCB) with zero airflow for the PDIP package.

Table 4. Thermal Resistance

Package Type	θ_{JA}	θ_{JC}	Unit
8-Lead SOIC (R-8)	120	43	$^\circ\text{C}/\text{W}$
8-Lead PDIP (N-8)	103	50	$^\circ\text{C}/\text{W}$

ESD CAUTION



ESD (electrostatic discharge) sensitive device. Charged devices and circuit boards can discharge without detection. Although this product features patented or proprietary protection circuitry, damage may occur on devices subjected to high energy ESD. Therefore, proper ESD precautions should be taken to avoid performance degradation or loss of functionality.

TYPICAL PERFORMANCE CHARACTERISTICS

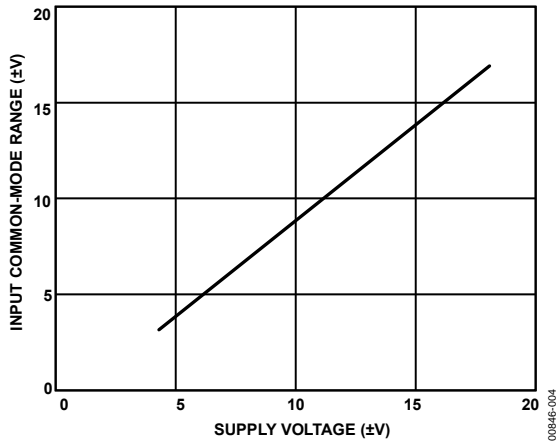


Figure 3. Input Common-Mode Voltage Range vs. Supply Voltage

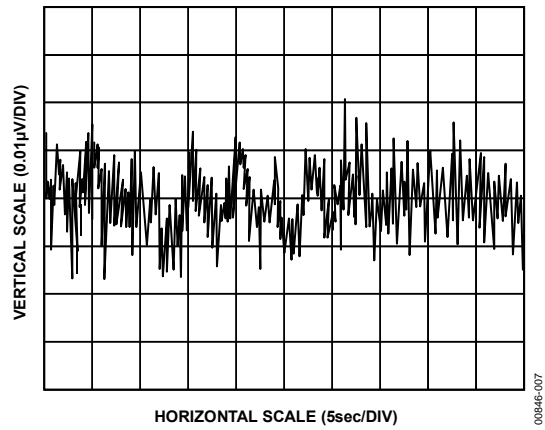


Figure 6. 0.1 Hz to 10 Hz Noise

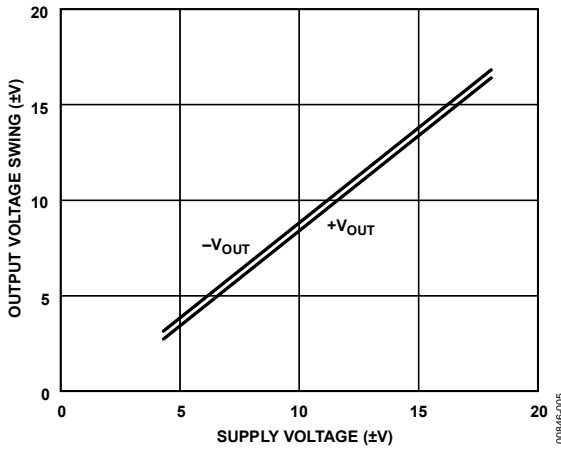


Figure 4. Output Voltage Swing vs. Supply Voltage

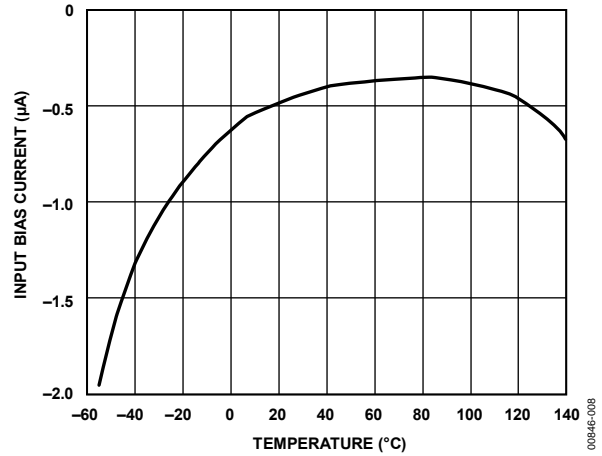


Figure 7. Input Bias Current vs. Temperature

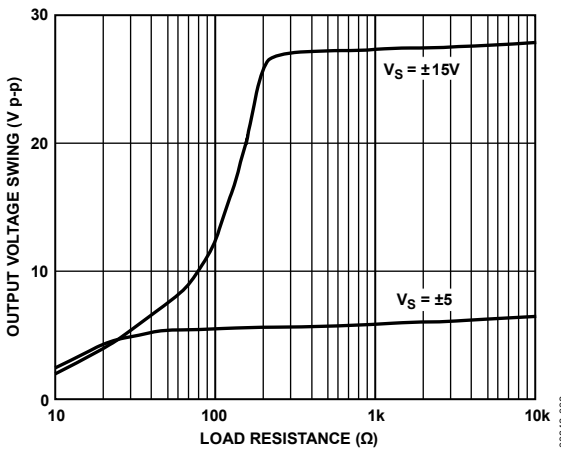


Figure 5. Output Voltage Swing vs. Load Resistance

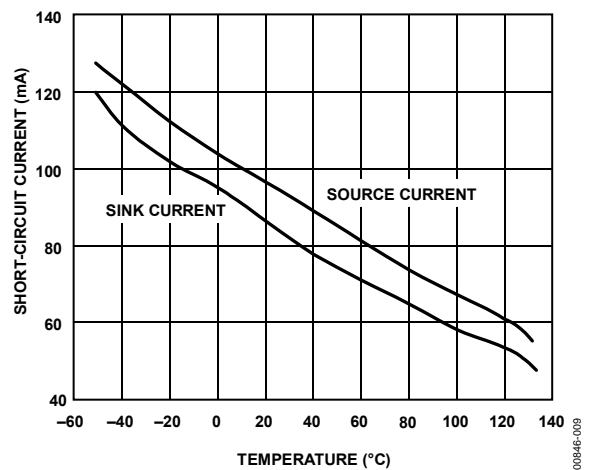


Figure 8. Short-Circuit Current vs. Temperature

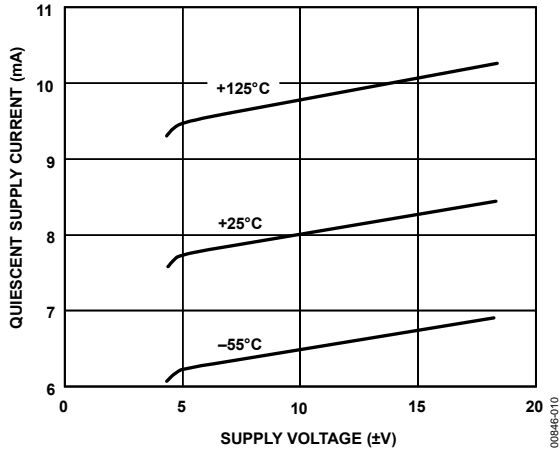


Figure 9. Quiescent Supply Current vs. Supply Voltage

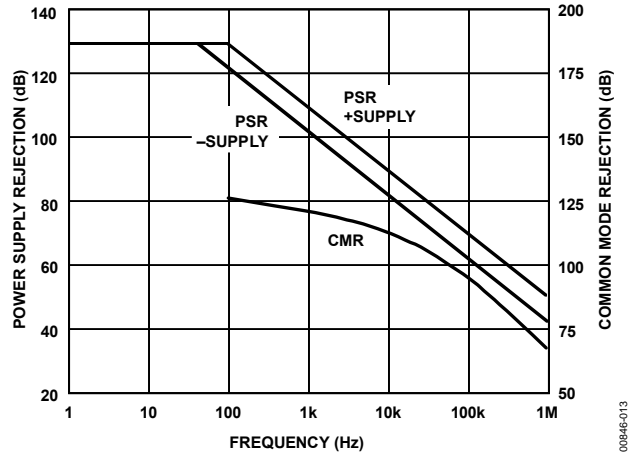


Figure 12. Power Supply and Common-Mode Rejection vs. Frequency

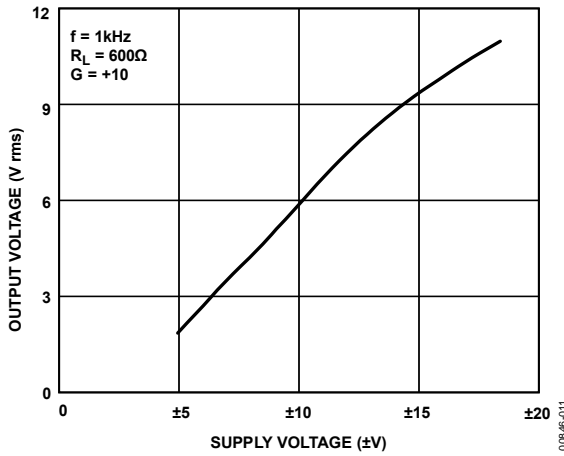


Figure 10. Output Voltage vs. Supply Voltage for 0.01% Distortion

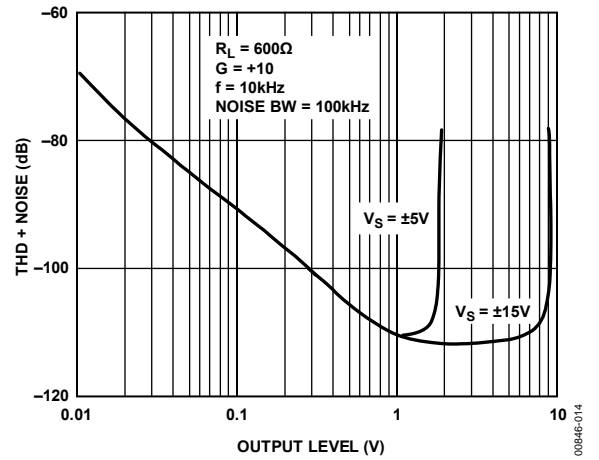


Figure 13. Total Harmonic Distortion (THD) + Noise vs. Output Level

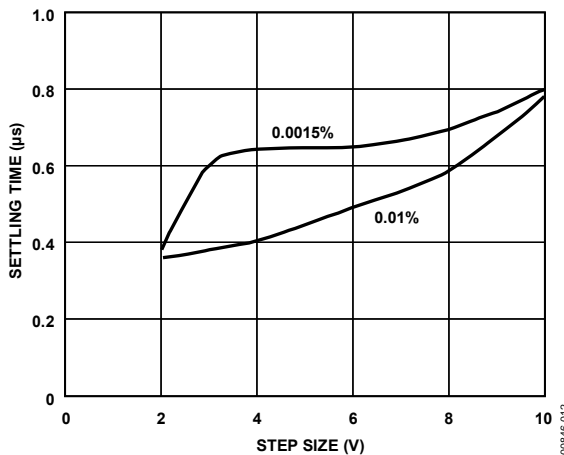


Figure 11. Settling Time vs. Step Size (±)

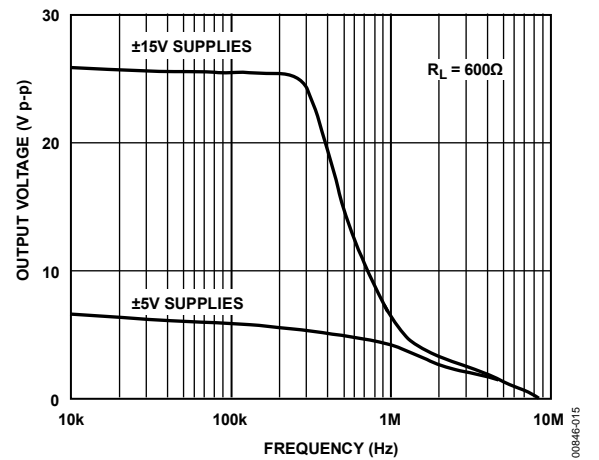


Figure 14. Large-Signal Frequency Response

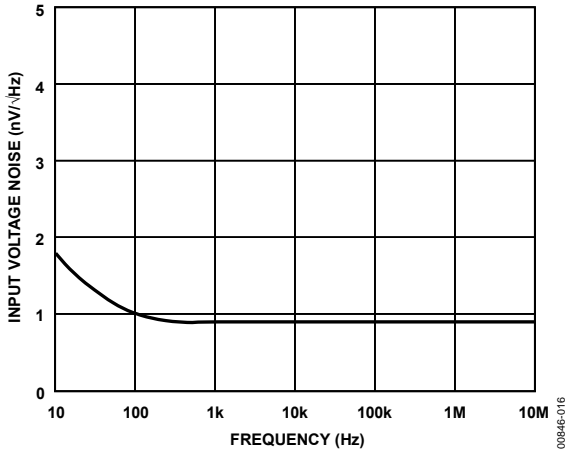


Figure 15. Input Voltage Noise Spectral Density

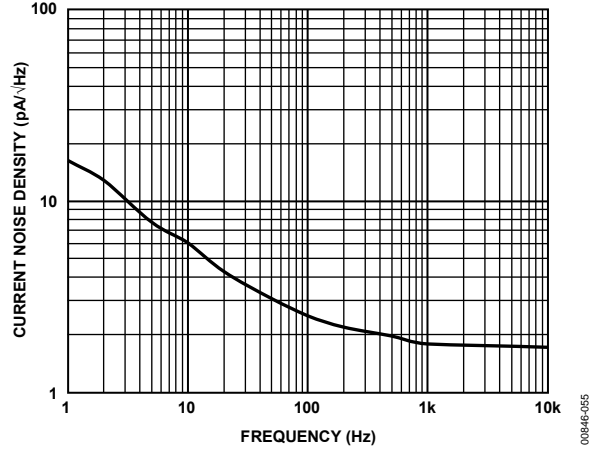


Figure 18. Current Noise Density $V_S = \pm 15 V$

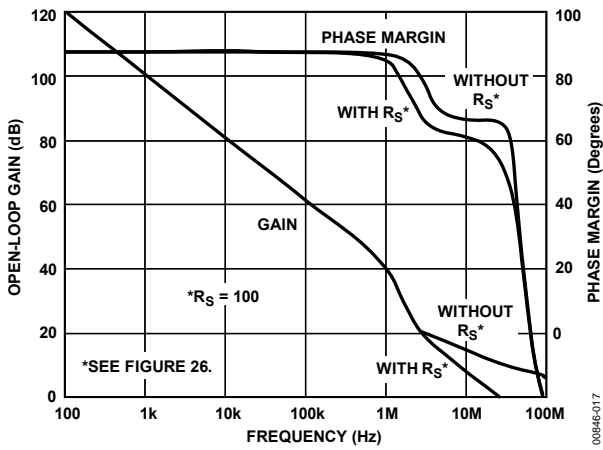


Figure 16. Open-Loop Gain and Phase Margin vs. Frequency

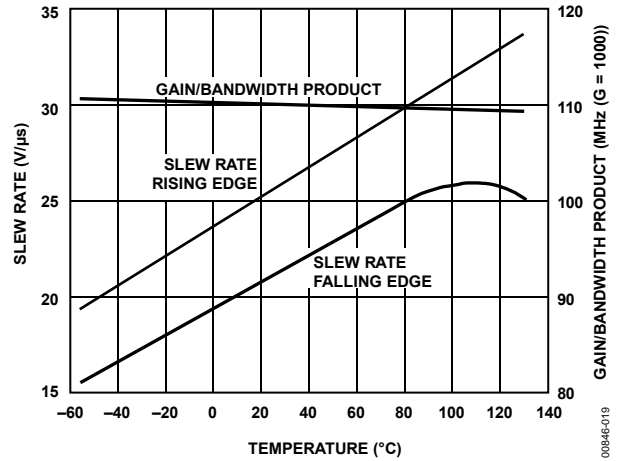


Figure 19. Slew Rate and Gain/Bandwidth Product vs. Temperature

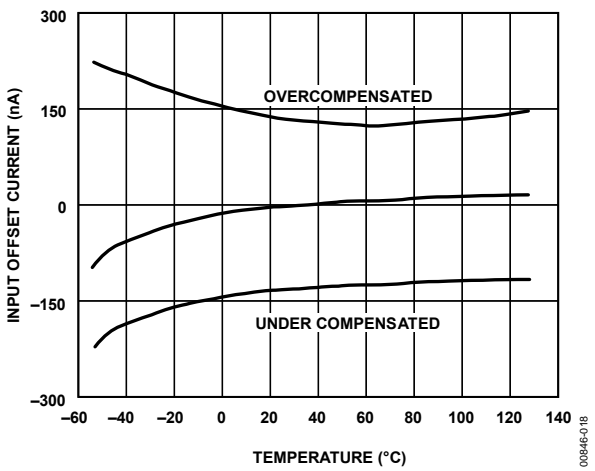


Figure 17. Input Offset Current vs. Temperature

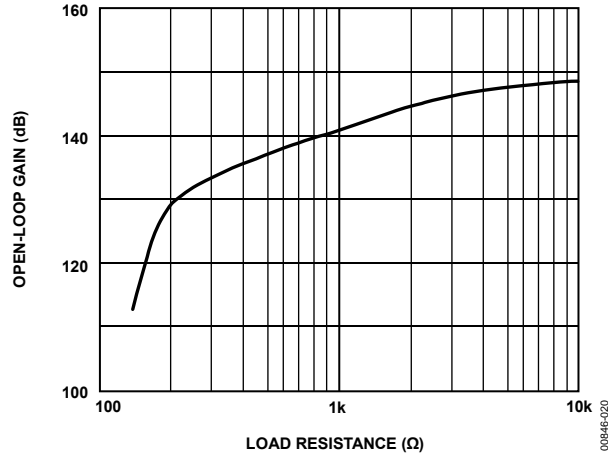


Figure 20. Open-Loop Gain vs. Load Resistance

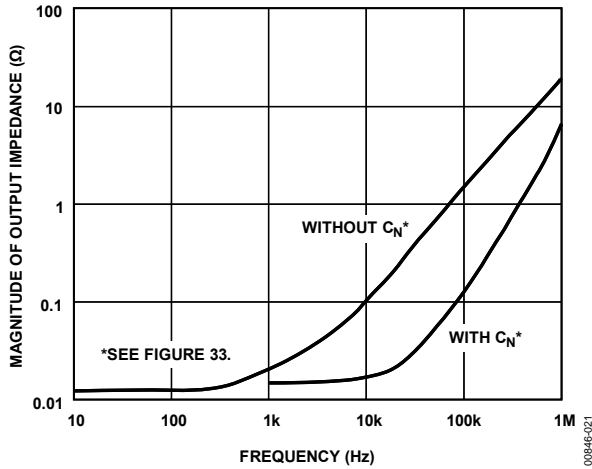


Figure 21. Magnitude of Output Impedance vs. Frequency

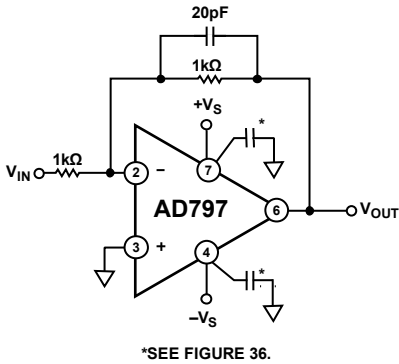


Figure 22. Inverter Connection

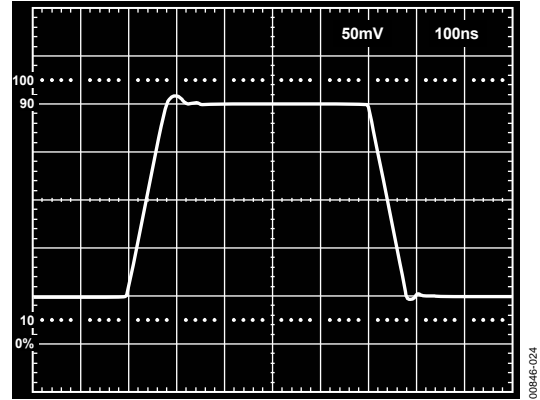


Figure 24. Inverter Small-Signal Pulse Response

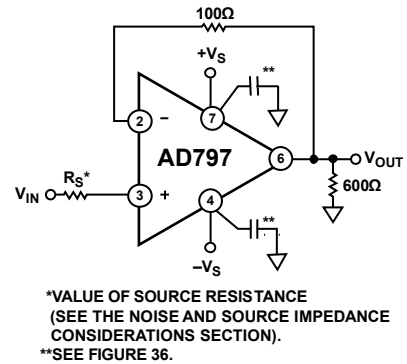


Figure 25. Follower Connection

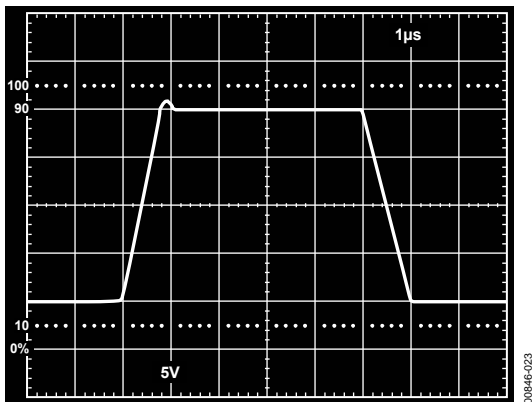


Figure 23. Inverter Large-Signal Pulse Response

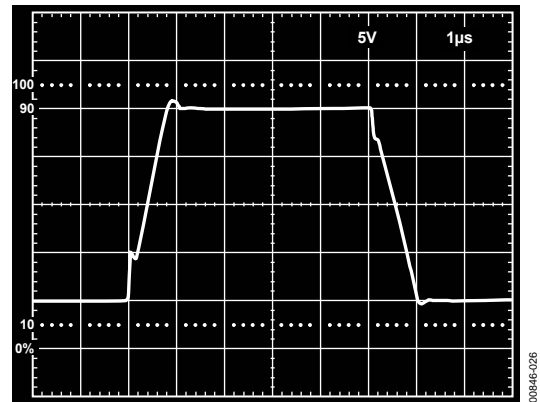


Figure 26. Follower Large-Signal Pulse Response

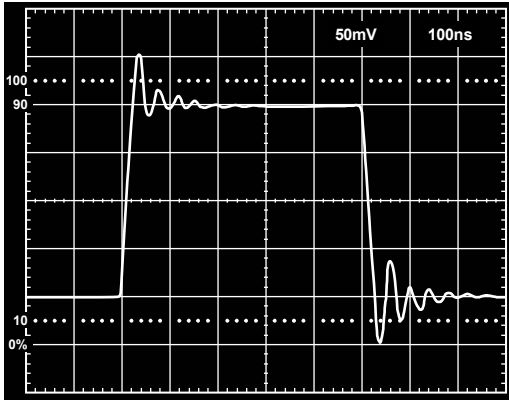


Figure 27. Follower Small-Signal Pulse Response

00946-027

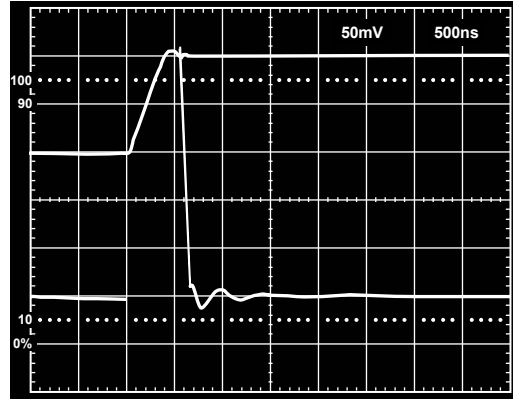


Figure 29. 16-Bit Settling Time Negative Input Pulse

00946-029

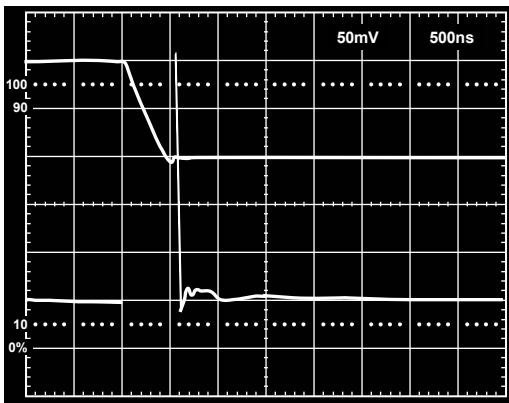


Figure 28. 16-Bit Settling Time Positive Input Pulse

00946-028

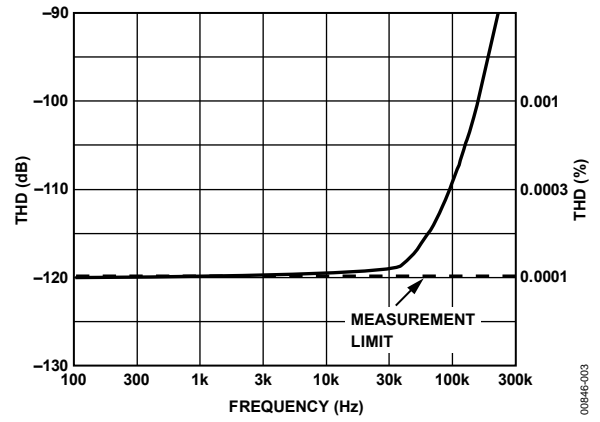


Figure 30. THD vs. Frequency

00946-030

THEORY OF OPERATION

The architecture of the AD797 was developed to overcome inherent limitations in previous amplifier designs. Previous precision amplifiers used three stages to ensure high open-loop gain (see Figure 31) at the expense of additional frequency compensation components. Slew rate and settling performance are usually compromised, and dynamic performance is not adequate beyond audio frequencies. As can be seen in Figure 31, the first stage gain is rolled off at high frequencies by the compensation network. Second stage noise and distortion then appears at the input and degrade performance. The AD797, on the other hand, uses a single ultrahigh gain stage to achieve dc as well as dynamic precision. As shown in the simplified schematic (Figure 32), Node A, Node B, and Node C track the input voltage, forcing the operating points of all pairs of devices in the signal path to match. By exploiting the inherent matching of devices fabricated on the same IC chip, high open-loop gain, CMRR, PSRR, and low V_{OS} are guaranteed by pairwise device matching (that is, NPN to NPN and PNP to PNP), not by an absolute parameter such as beta and the early voltage.

The elimination of second-stage noise effects has the additional benefit of making the low noise of the AD797 ($<0.9 \text{ nV}/\sqrt{\text{Hz}}$) extend to beyond 1 MHz. This means new levels of performance for sampled data and imaging systems. All of this performance as well as load drive in excess of 30 mA are made possible by the Analog Devices, Inc., advanced complementary bipolar (CB) process.

Another unique feature of this circuit is that the addition of a single capacitor, C_N (see Figure 32), enables cancellation of distortion due to the output stage. This can best be explained by referring to a simplified representation of the AD797 using idealized blocks for the different circuit elements (Figure 33).

A single equation yields the open-loop transfer function of this amplifier; solving it at Node B yields

$$\frac{V_{OUT}}{V_{IN}} = \frac{g_m}{\frac{C_N}{A} j\omega - C_N j\omega - \frac{C_C}{A} j\omega}$$

where:

g_m is the transconductance of Q1 and Q2.

A is the gain of the output stage (~ 1).

V_{OUT} is voltage at the output.

V_{IN} is differential input voltage.

When C_N is equal to C_C , the ideal single-pole op amp response is attained:

$$\frac{V_{OUT}}{V_{IN}} = \frac{g_m}{j\omega C}$$

In Figure 33, the terms of Node A, which include the properties of the output stage, such as output impedance and distortion, cancel by simple subtraction. Therefore, the distortion cancellation does not affect the stability or frequency response of the amplifier. With only 500 μA of output stage bias, the AD797 delivers a 1 kHz sine wave into 60 Ω at 7 V rms with only 1 ppm of distortion.

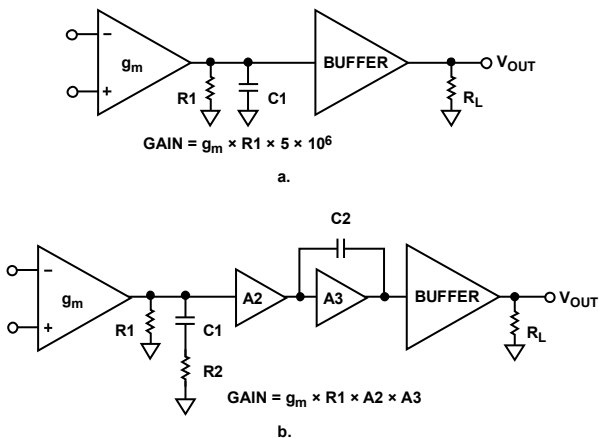


Figure 31. Model of AD797 vs. That of a Typical Three-Stage Amplifier

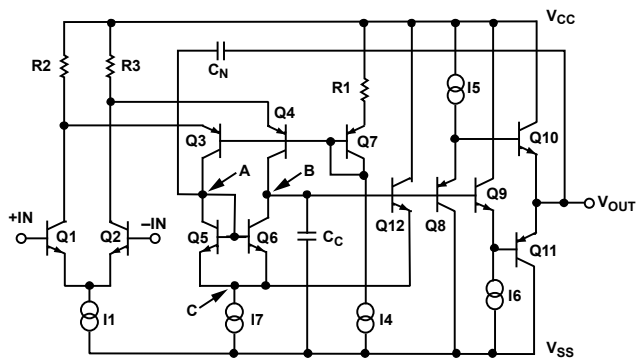


Figure 32. AD797 Simplified Schematic

This matching benefits not just dc precision, but, because it holds up dynamically, both distortion and settling time are also reduced. This single stage has a voltage gain of $>5 \times 10^6$ and $V_{OS} < 80 \mu\text{V}$, while at the same time providing a THD + noise of less than -120 dB and true 16-bit settling in less than 800 ns.

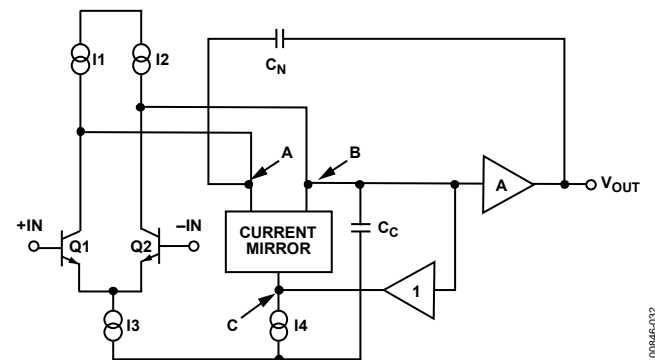


Figure 33. AD797 Block Diagram

NOISE AND SOURCE IMPEDANCE CONSIDERATIONS

The **AD797** ultralow voltage noise of $0.9 \text{ nV}/\sqrt{\text{Hz}}$ is achieved with special input transistors running at nearly 1 mA of collector current. Therefore, it is important to consider the total input-referred noise ($e_{N\text{total}}$), which includes contributions from voltage noise (e_N), current noise (i_N), and resistor noise ($\sqrt{4 kTR_S}$).

$$e_{N\text{total}} = [e_N^2 + 4 kTR_S + (i_N \times R_S)^2]^{1/2} \quad (1)$$

where R_S is the total input source resistance.

This equation is plotted for the **AD797** in Figure 34. Because optimum dc performance is obtained with matched source resistances, this case is considered even though it is clear from Equation 1 that eliminating the balancing source resistance lowers the total noise by reducing the total R_S by a factor of 2.

At very low source resistance ($R_S < 50 \Omega$), the voltage noise of the amplifier dominates. As source resistance increases, the Johnson noise of R_S dominates until a higher resistance of $R_S > 2 \text{ k}\Omega$ is achieved; the current noise component is larger than the resistor noise.

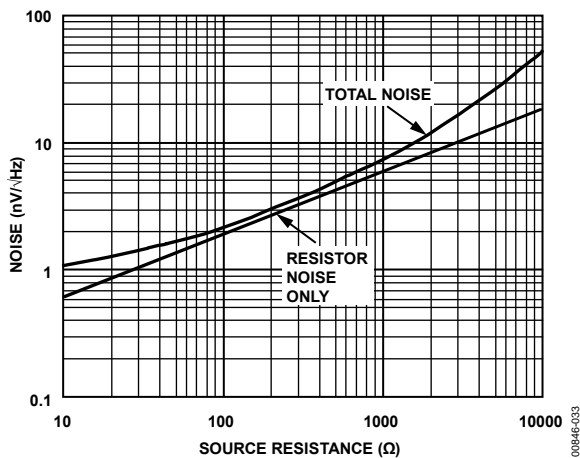


Figure 34. Noise vs. Source Resistance

The **AD797** is the optimum choice for low noise performance if the source resistance is kept $< 1 \text{ k}\Omega$. At higher values of source resistance, optimum performance with respect to only noise is obtained with other amplifiers from Analog Devices (Table 5).

For up to date information, see [AN-940](#).

Table 5. Recommended Amplifiers for Different Source Impedances

R_S (k Ω)	Recommended Amplifier
0 to < 1	AD8597/AD8599 , AD797 , ADA4004-1/ADA4004-2/ADA4004-4 , AD8671/AD8672/AD8674
1 to < 10	AD8675/AD8676 , ADA4075-2 , ADA4004-1/ADA4004-2/ADA4004-4 , OP1177 , OP27/OP37 , OP184
10 to < 100	AD8677 , OP1177 , OP2177 , OP4177 , OP471
> 100	AD8610/AD8620 , AD8605/AD8606/AD8608 , ADA4627-1 , OP97 , AD548 , AD549 , AD745

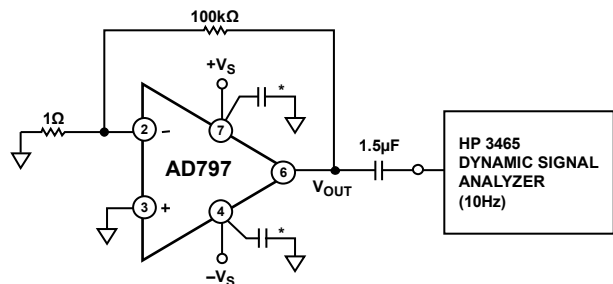
LOW FREQUENCY NOISE

Analog Devices specifies low frequency noise as a peak-to-peak quantity in a 0.1 Hz to 10 Hz bandwidth. Several techniques can be used to make this measurement. The usual technique involves amplifying, filtering, and measuring the amplifier noise for a predetermined test time. The noise bandwidth of the filter is corrected for, and the test time is carefully controlled because the measurement time acts as an additional low frequency roll-off.

The plot in Figure 6 uses a slightly different technique: an FFT-based instrument (Figure 35) is used to generate a 10 Hz brickwall filter. A low frequency pole at 0.1 Hz is generated with an external ac coupling capacitor, which is also the instrument being dc coupled.

Several precautions are necessary to attain optimum low frequency noise performance:

- Care must be used to account for the effects of R_S . Even a 10Ω resistor has $0.4 \text{ nV}/\sqrt{\text{Hz}}$ of noise (an error of 9% when root sum squared with $0.9 \text{ nV}/\sqrt{\text{Hz}}$).
- The test setup must be fully warmed up to prevent e_{OS} drift from erroneously contributing to input noise.
- Circuitry must be shielded from air currents. Heat flow out of the package through its leads creates the opportunity for a thermoelectric potential at every junction of different metals. Selective heating and cooling of these by random air currents appears as $1/f$ noise and obscures the true device noise.
- The results must be interpreted using valid statistical techniques.



*USE THE POWER SUPPLY BYPASSING SHOWN IN FIGURE 36.

Figure 35. Test Setup for Measuring 0.1 Hz to 10 Hz Noise

WIDEBAND NOISE

Due to its single-stage design, the noise of the **AD797** is flat over frequencies from less than 10 Hz to beyond 1 MHz . This is not true of most dc precision amplifiers, where second-stage noise contributes to input-referred noise beyond the audio frequency range. The **AD797** offers new levels of performance in wideband imaging applications. In sampled data systems, where aliasing of out-of-band noise into the signal band is a problem, the **AD797** outperforms all previously available IC op amps.

BYPASSING CONSIDERATIONS

Taking full advantage of the very wide bandwidth and dynamic range capabilities of the AD797 requires some precautions. First, multiple bypassing is recommended in any precision application. A 1.0 μF to 4.7 μF tantalum in parallel with 0.1 μF ceramic bypass capacitors are sufficient in most applications. When driving heavy loads, a larger demand is placed on the supply bypassing. In this case, selective use of larger values of tantalum capacitors and damping of their lead inductance with small-value (1.1 Ω to 4.7 Ω) carbon resistors can achieve an improvement. Figure 36 summarizes power supply bypassing recommendations.

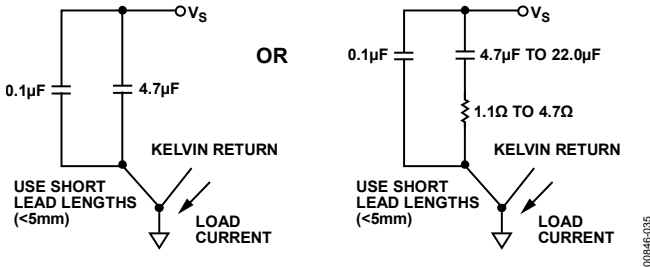
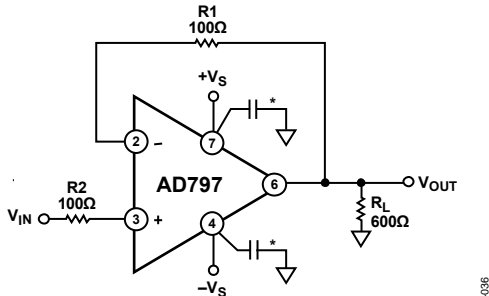


Figure 36. Recommended Power Supply Bypassing

THE NONINVERTING CONFIGURATION

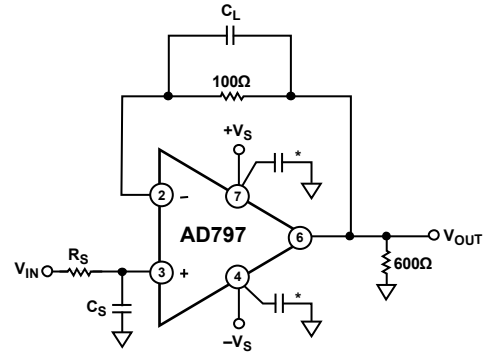
Ultralow noise requires very low values of the internal parasitic resistance (r_{BB}) for the input transistors ($\approx 6 \Omega$). This implies very little damping of input and output reactive interactions. With the AD797, additional input series damping is required for stability with direct output to input feedback. A 100 Ω resistor (R_1) in the inverting input (see Figure 37) is sufficient; the 100 Ω balancing resistor (R_2) is recommended but is not required for stability. The noise penalty is minimal ($e_{\text{ntotal}} \approx 2.1 \text{ nV}/\sqrt{\text{Hz}}$), which is usually insignificant.



*USE THE POWER SUPPLY BYPASSING SHOWN IN FIGURE 35.

Figure 37. Voltage Follower Connection

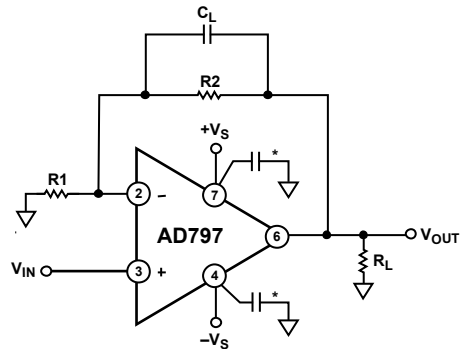
Best response flatness is obtained with the addition of a small capacitor ($C_L < 33 \text{ pF}$) in parallel with the 100 Ω resistor (Figure 38). The input source resistance and capacitance also affect the response slightly, and experimentation may be necessary for best results.



*USE THE POWER SUPPLY BYPASSING SHOWN IN FIGURE 35.

Figure 38. Alternative Voltage Follower Connection

Low noise preamplification is usually performed in the non-inverting mode (see Figure 39). For lowest noise, the equivalent resistance of the feedback network should be as low as possible. The 30 mA minimum drive current of the AD797 makes it easier to achieve this. The feedback resistors can be made as low as possible, with consideration to load drive and power consumption.



*USE THE POWER SUPPLY BYPASSING SHOWN IN FIGURE 35.

Figure 39. Low Noise Preamplifier

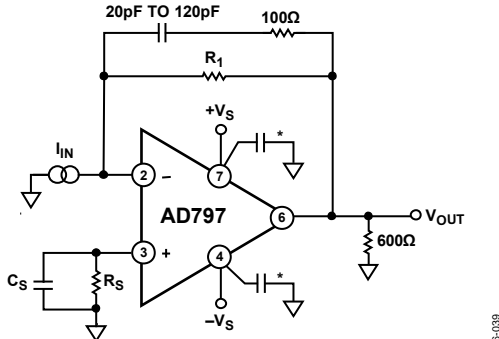
Table 6 provides some representative values for the AD797 when used as a low noise follower. Operation on 5 V supplies allows the use of a 100 Ω or less feedback network ($R_1 + R_2$). Because the AD797 shows no unusual behavior when operating near its maximum rated current, it is suitable for driving the AD600/AD602 (see Figure 51) while preserving low noise performance.

Optimum flatness and stability at noise gains >1 sometimes require a small capacitor (C_L) connected across the feedback resistor (R_1 of Figure 39). Table 6 includes recommended values of C_L for several gains. In general, when R_2 is greater than 100 Ω and C_L is greater than 33 pF, a 100 Ω resistor should be placed in series with C_L . Source resistance matching is assumed, and the AD797 should not be operated with unbalanced source resistance $>200 \text{ k}\Omega/\text{G}$.

Table 6. Values for Follower with Gain Circuit

Gain	R1	R2	C_L	Noise (Excluding R_s)
2	1 k Ω	1 k Ω	$\approx 20 \text{ pF}$	3.0 nV/ $\sqrt{\text{Hz}}$
2	300 Ω	300 Ω	$\approx 10 \text{ pF}$	1.8 nV/ $\sqrt{\text{Hz}}$
10	33.2 Ω	300 Ω	$\approx 5 \text{ pF}$	1.2 nV/ $\sqrt{\text{Hz}}$
20	16.5 Ω	316 Ω		1.0 nV/ $\sqrt{\text{Hz}}$
>35	10 Ω	$(G - 1) \times 10 \Omega$		0.98 nV/ $\sqrt{\text{Hz}}$

The I-to-V converter is a special case of the follower configuration. When the AD797 is used in an I-to-V converter, for example as a DAC buffer, the circuit shown in Figure 40 should be used. The value of C_L depends on the DAC, and if C_L is greater than 33 pF, a 100 Ω series resistor is required. A bypassed balancing resistor (R_S and C_S) can be included to minimize dc errors.

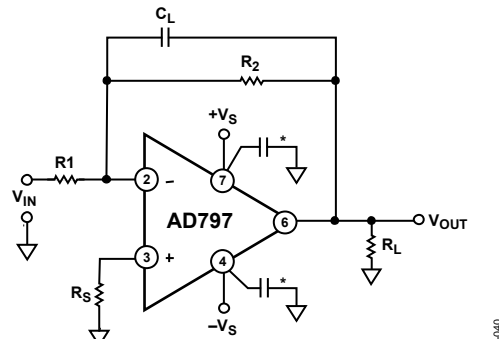


*USE THE POWER SUPPLY BYPASSING SHOWN IN FIGURE 35. 00846-038

Figure 40. I-to-V Converter Connection

THE INVERTING CONFIGURATION

The inverting configuration (see Figure 41) presents a low input impedance, R_1 , to the source. For this reason, the goals of both low noise and input buffering are at odds with one another. Nonetheless, the excellent dynamics of the AD797 makes it the preferred choice in many inverting applications, and with careful selection of feedback resistors, the noise penalties are minimal. Some examples are presented in Table 7 and Figure 41.



*USE THE POWER SUPPLY BYPASSING SHOWN IN FIGURE 35. 00846-040

Figure 41. Inverting Amplifier Connection

Table 7. Values for Inverting Circuit

Gain	R1	R2	C _L	Noise (Excluding R _S)
-1	1 k Ω	1 k Ω	\approx 20 pF	3.0 nV/ $\sqrt{\text{Hz}}$
-1	300 Ω	300 Ω	\approx 10 pF	1.8 nV/ $\sqrt{\text{Hz}}$
-10	150 Ω	1500 Ω	\approx 5 pF	1.8 nV/ $\sqrt{\text{Hz}}$

DRIVING CAPACITIVE LOADS

The capacitive load driving capabilities of the AD797 are displayed in Figure 42. At gains greater than 10, usually no special precautions are necessary. If more drive is desirable, however, the circuit shown in Figure 43 should be used. For example, this circuit allows a 5000 pF load to be driven cleanly at a noise gain ≥ 2 .

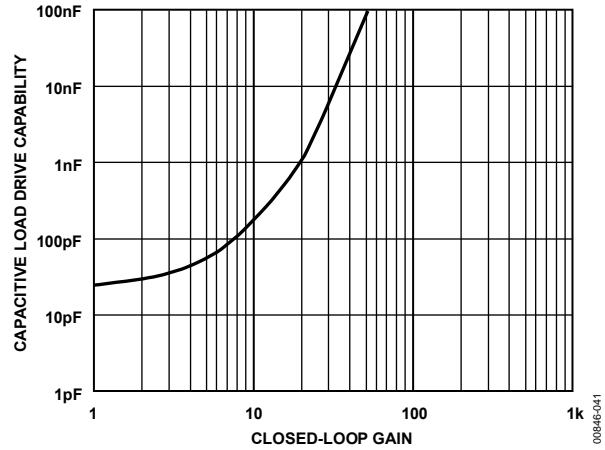
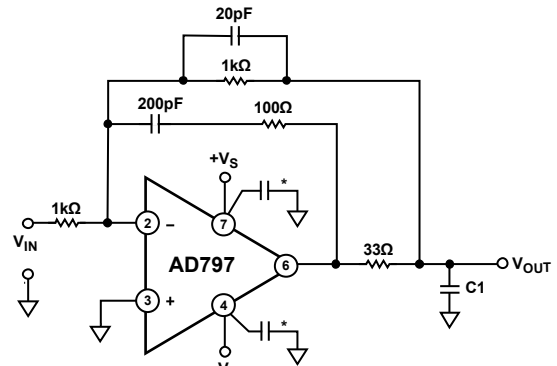


Figure 42. Capacitive Load Drive Capability vs. Closed-Loop Gain

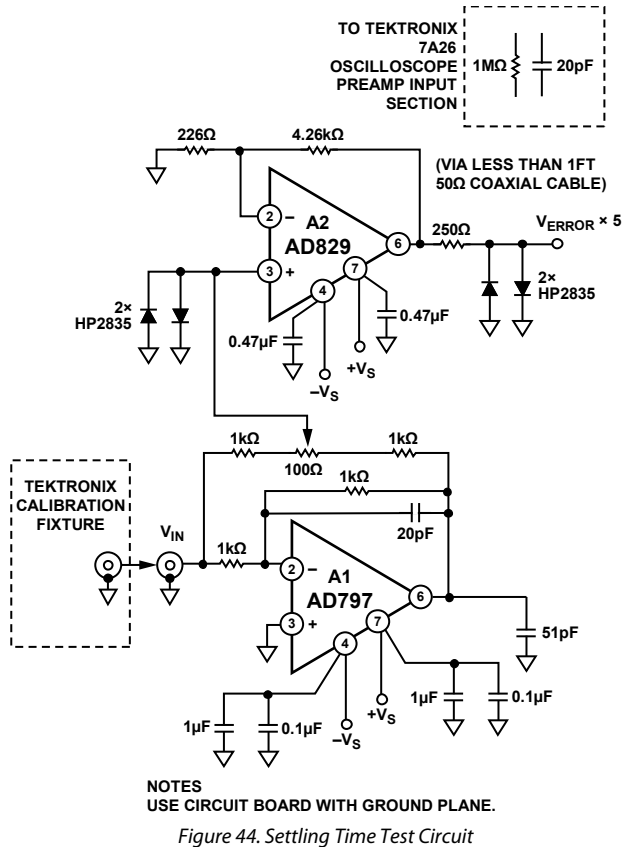


*USE THE POWER SUPPLY BYPASSING SHOWN IN FIGURE 35. 00846-042

Figure 43. Recommended Circuit for Driving a High Capacitance Load

SETTLING TIME

The AD797 is unique among ultralow noise amplifiers in that it settles to 16 bits ($<150 \mu\text{V}$) in less than 800 ns. Measuring this performance presents a challenge. A special test circuit (see Figure 44) was developed for this purpose. The input signal was obtained from a resonant reed switch pulse generator, available from Tektronix as calibration Fixture No. 067-0608-00. When open, the switch is simply 50 Ω to ground and settling is purely a passive pulse decay and inherently flat. The low repetition rate signal was captured on a digital oscilloscope after being amplified and clamped twice. The selection of plug-in for the oscilloscope was made for minimum overload recovery.



The benefits of adding C1 are evident for closed-loop gains of ≥ 100 . A maximum value of ≈ 33 pF at gains of ≥ 1000 is recommended. At a gain of 1000, the bandwidth is 450 kHz.

Table 8 and Figure 46 summarize the performance of the AD797 with distortion cancellation and decompensation.

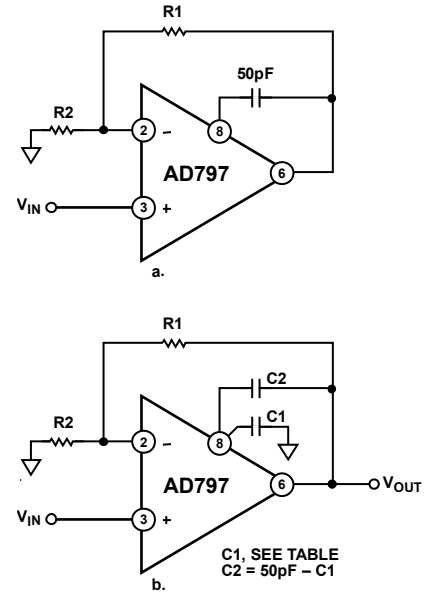


Figure 45. Recommended Connections for Distortion Cancellation and Bandwidth Enhancement

DISTORTION REDUCTION

The AD797 has distortion performance (THD < -120 dB, at 20 kHz, 3 V rms, $R_L = 600 \Omega$) unequaled by most voltage feedback amplifiers.

At higher gains and higher frequencies, THD increases due to a reduction in loop gain. However, in contrast to most conventional voltage feedback amplifiers, the AD797 provides two effective means of reducing distortion as gain and frequency are increased: cancellation of the distortion of the output stage and gain bandwidth enhancement by decompensation. By applying these techniques, gain bandwidth can be increased to 450 MHz at $G = 1000$, and distortion can be held to -100 dB at 20 kHz for $G = 100$.

The unique design of the AD797 provides cancellation of the output stage's distortion. To achieve this, a capacitance equal to the effective compensation capacitance, usually 50 pF, is connected between Pin 8 and the output (see C2 in Figure 45). Use of this feature improves distortion performance when the closed-loop gain is more than 10 or when frequencies of interest are greater than 30 kHz.

Bandwidth enhancement via decompensation is achieved by connecting a capacitor from Pin 8 to ground (see C1 in Figure 45). Adding C1 results in subtracting from the value of the internal compensation capacitance (50 pF), yielding a smaller effective compensation capacitance and therefore a larger bandwidth.

Table 8. Recommended External Compensation for Distortion Cancellation and Bandwidth Enhancement

Gain	A/B		A		3 dB BW	B		3 dB BW
	R1 (Ω)	R2 (Ω)	C1 (pF)	C2 (pF)		C1 (pF)	C2 (pF)	
10	909	100	0	50	6 MHz	0	50	6 MHz
100	1 k	10	0	50	1 MHz	15	33	1.5 MHz
1000	10 k	10	0	50	110 kHz	33	15	450 kHz

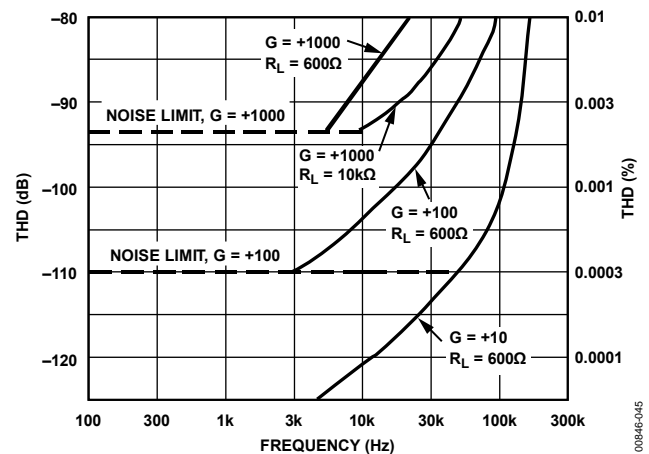
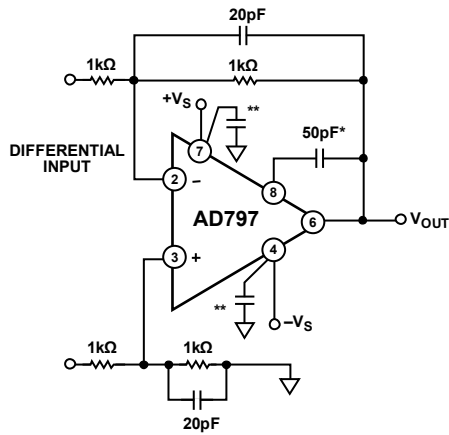


Figure 46. Total Harmonic Distortion (THD) vs. Frequency at 3 V rms for Figure 45b

Differential Line Receiver

The differential receiver circuit of Figure 47 is useful for many applications, from audio to MRI imaging. The circuit allows extraction of a low level signal in the presence of common-mode noise. As shown in Figure 48, the AD797 provides this function with only 9 nV/ $\sqrt{\text{Hz}}$ noise at the output. Figure 49 shows the AD797 20-bit THD performance over the audio band and the 16-bit accuracy to 250 kHz.



*OPTIONAL
**USE THE POWER SUPPLY BYPASSING SHOWN IN FIGURE 35.

Figure 47. Differential Line Receiver

00846-046

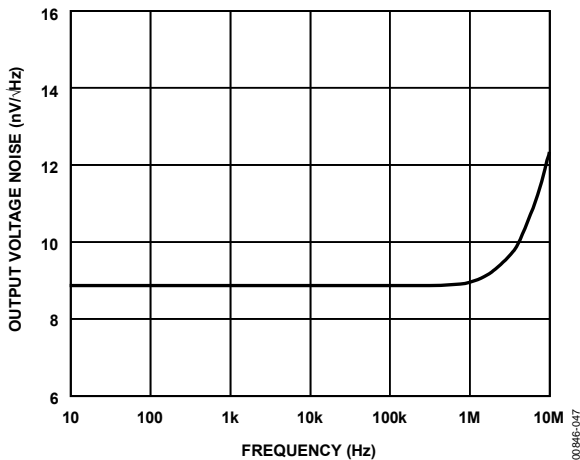


Figure 48. Output Voltage Noise Spectral Density for Differential Line Receiver

00846-047

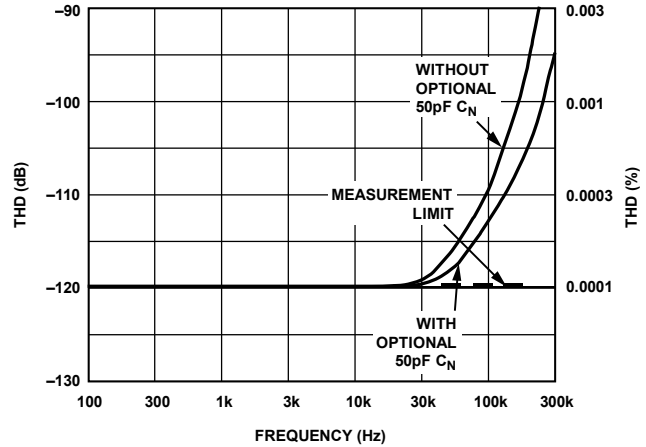
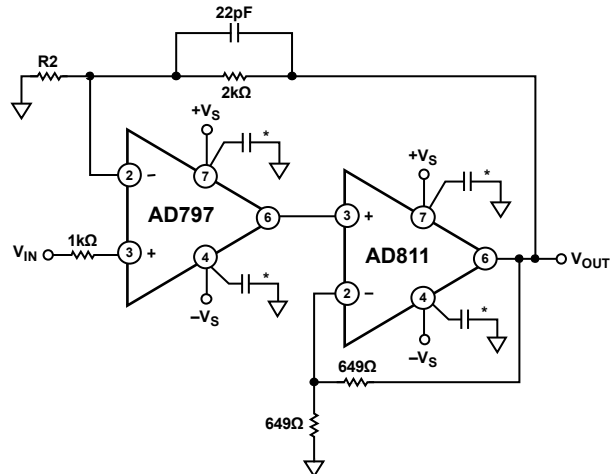


Figure 49. Total Harmonic Distortion (THD) vs. Frequency for Differential Line Receiver

00846-048

A General-Purpose ATE/Instrumentation I/O Driver

The ultralow noise and distortion of the AD797 can be combined with the wide bandwidth, slew rate, and load drive of a current feedback amplifier to yield a very wide dynamic range general-purpose driver. The circuit shown in Figure 50 combines the AD797 with the AD811 in just such an application. Using the component values shown, this circuit is capable of better than -90 dB THD with a ± 5 V, 500 kHz output signal. The circuit is, therefore, suitable for driving a high resolution ADC as an output driver in automatic test equipment (ATE) systems. Using a 100 kHz sine wave, the circuit drives a 600 Ω load to a level of 7 V rms with less than -109 dB THD and a 10 k Ω load at less than -117 dB THD.



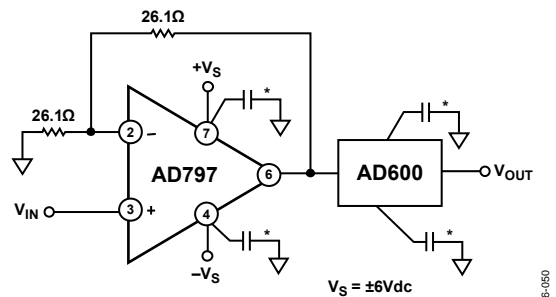
*USE THE POWER SUPPLY BYPASSING SHOWN IN FIGURE 35.

Figure 50. A General-Purpose ATE/Instrumentation I/O Driver

00846-049

Ultrasound/Sonar Imaging Preamp

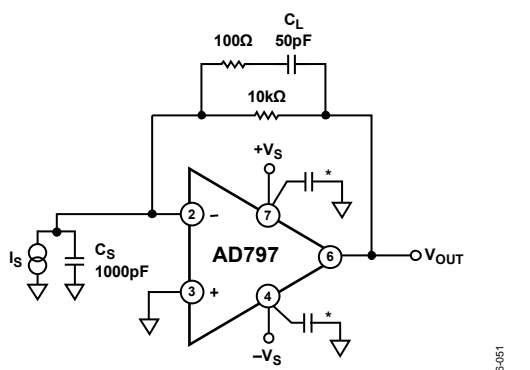
The AD600 variable gain amplifier provides the time-controlled gain (TCG) function necessary for very wide dynamic range sonar and low frequency ultrasound applications. Under some circumstances, it is necessary to buffer the input of the AD600 to preserve its low noise performance. To optimize dynamic range, this buffer should have a maximum of 6 dB of gain. The combination of low noise and low gain is difficult to achieve. The input buffer circuit shown in Figure 51 provides 1 nV/ $\sqrt{\text{Hz}}$ noise performance at a gain of 2 (dc to 1 MHz) by using 26.1 Ω resistors in its feedback path. Distortion is only -50 dBc at 1 MHz for a 2 V p-p output level and drops rapidly to better than -70 dBc at an output level of 200 mV p-p.



*USE THE POWER SUPPLY BYPASSING SHOWN IN FIGURE 35.
Figure 51. An Ultrasound Preamplifier Circuit

Amorphous (Photodiode) Detector

Large area photodiodes ($C_s \geq 500$ pF) and certain image detectors (amorphous Si) have optimum performance when used in conjunction with amplifiers with very low voltage (rather than very low current noise). Figure 52 shows the AD797 used with an amorphous Si ($C_s = 1000$ pF) detector. The response is adjusted for flatness using capacitor C_L , and the noise is dominated by voltage noise amplified by the ac noise gain. The AD797's excellent input noise performance gives 27 μV rms total noise in a 1 MHz bandwidth, as shown by Figure 53.



*USE THE POWER SUPPLY BYPASSING SHOWN IN FIGURE 35.
Figure 52. Amorphous Detector Preamp

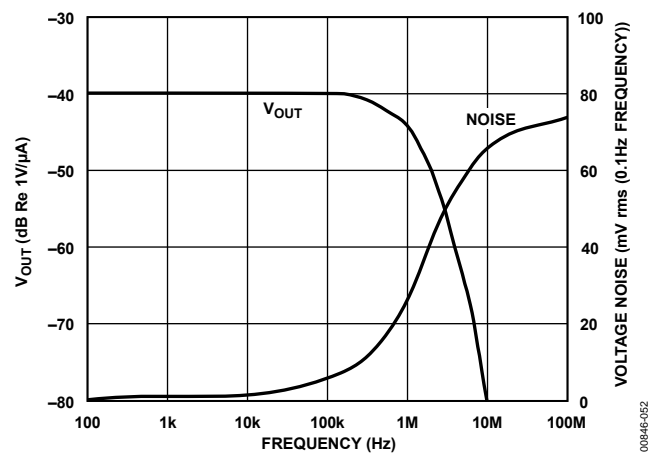
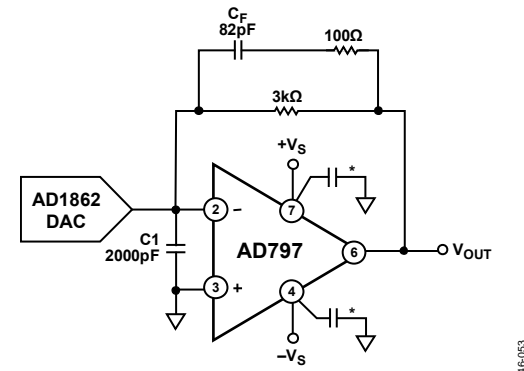


Figure 53. Total Integrated Voltage Noise and V_{OUT} of Amorphous Detector Preamp

Professional Audio Signal Processing—DAC Buffers

The low noise and low distortion of the AD797 make it an ideal choice for professional audio signal processing. An ideal I-to-V converter for a current output DAC would simply be a resistor to ground, were it not for the fact that most DACs do not operate linearly with voltage on their output. Standard practice is to operate an op amp as an I-to-V converter, creating a virtual ground at its inverting input. Normally, clock energy and current steps must be absorbed by the op amp output stage. However, in the configuration shown in Figure 54, Capacitor C_F shunts high frequency energy to ground while correctly reproducing the desired output with extremely low THD and IMD.



*USE THE POWER SUPPLY BYPASSING SHOWN IN FIGURE 35.
Figure 54. A Professional Audio DAC Buffer

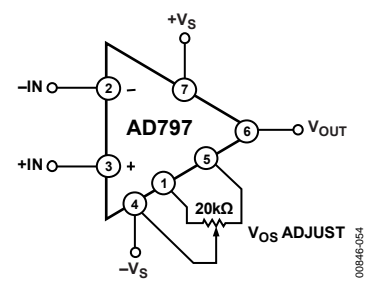
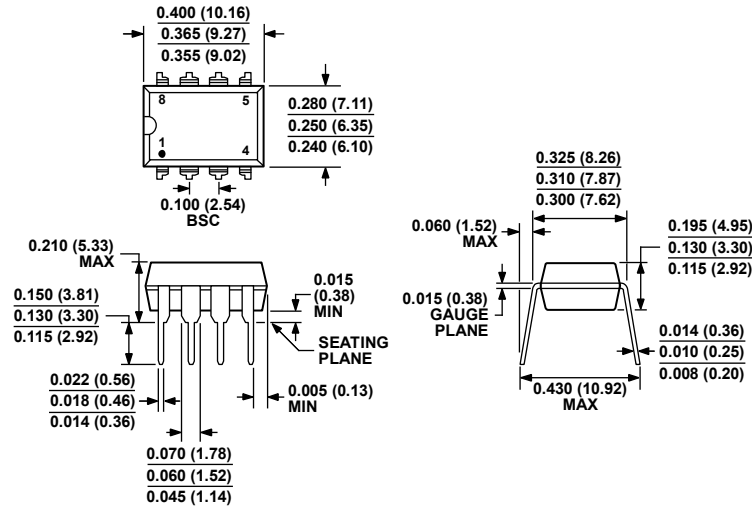


Figure 55. Offset Null Configuration

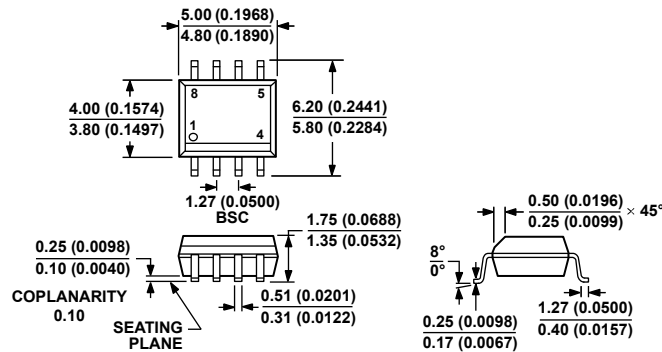
OUTLINE DIMENSIONS



COMPLIANT TO JEDEC STANDARDS MS-001
 CONTROLLING DIMENSIONS ARE IN INCHES; MILLIMETER DIMENSIONS
 (IN PARENTHESES) ARE ROUNDED-OFF INCH EQUIVALENTS FOR
 REFERENCE ONLY AND ARE NOT APPROPRIATE FOR USE IN DESIGN.
 CORNER LEADS MAY BE CONFIGURED AS WHOLE OR HALF LEADS.

Figure 56. 8-Lead Plastic Dual In-Line Package [PDIP]
 Narrow Body (N-8)
 Dimensions shown in inches and (millimeters)

070606-A



COMPLIANT TO JEDEC STANDARDS MS-012-AA
 CONTROLLING DIMENSIONS ARE IN MILLIMETERS; INCH DIMENSIONS
 (IN PARENTHESES) ARE ROUNDED-OFF MILLIMETER EQUIVALENTS FOR
 REFERENCE ONLY AND ARE NOT APPROPRIATE FOR USE IN DESIGN.

Figure 57. 8-Lead Standard Small Outline Package [SOIC_N]
 Narrow Body (R-8)
 Dimensions shown in millimeters and (inches)

012407-A

ORDERING GUIDE

Model ¹	Temperature Range	Package Description	Package Option
AD797ANZ	−40°C to +85°C	8-Lead Plastic Dual In-Line Package [PDIP]	N-8
AD797AR	−40°C to +85°C	8-Lead Standard Small Outline Package [SOIC_N]	R-8
AD797AR-REEL7	−40°C to +85°C	8-Lead Standard Small Outline Package [SOIC_N]	R-8
AD797ARZ	−40°C to +85°C	8-Lead Standard Small Outline Package [SOIC_N]	R-8
AD797ARZ-REEL	−40°C to +85°C	8-Lead Standard Small Outline Package [SOIC_N]	R-8
AD797ARZ-REEL7	−40°C to +85°C	8-Lead Standard Small Outline Package [SOIC_N]	R-8
AD797BRZ	−40°C to +85°C	8-Lead Standard Small Outline Package [SOIC_N]	R-8
AD797BRZ-REEL	−40°C to +85°C	8-Lead Standard Small Outline Package [SOIC_N]	R-8
AD797BRZ-REEL7	−40°C to +85°C	8-Lead Standard Small Outline Package [SOIC_N]	R-8

¹ Z = RoHS Compliant Part.