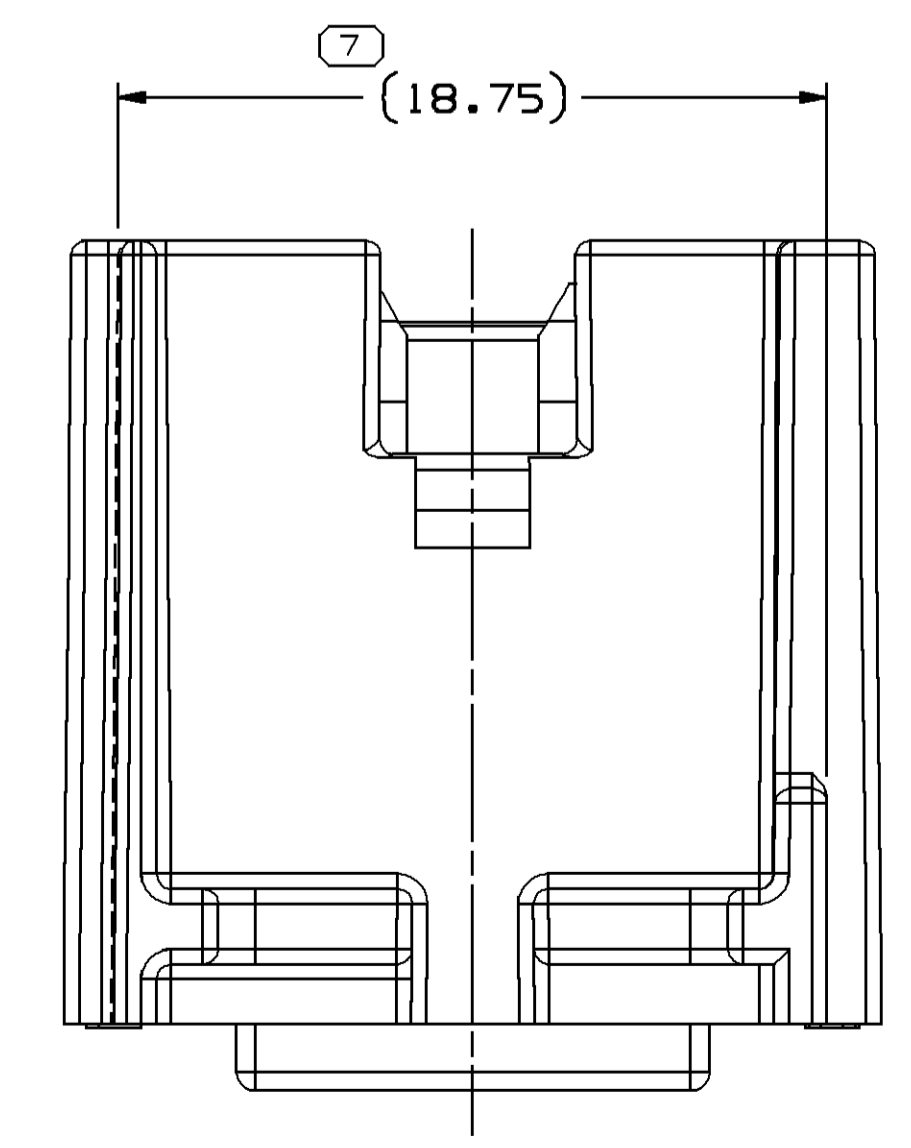
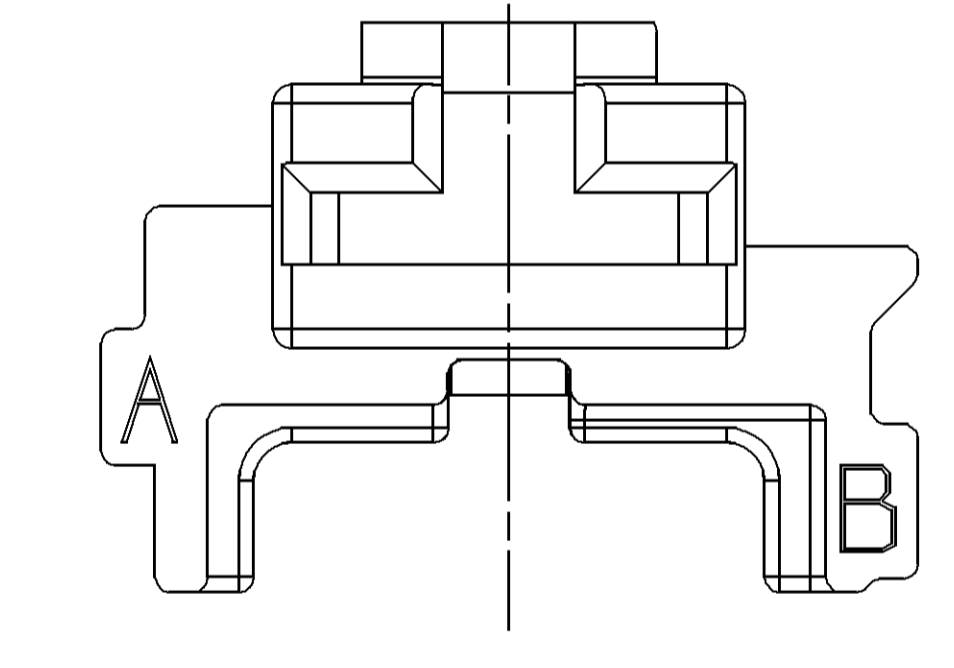
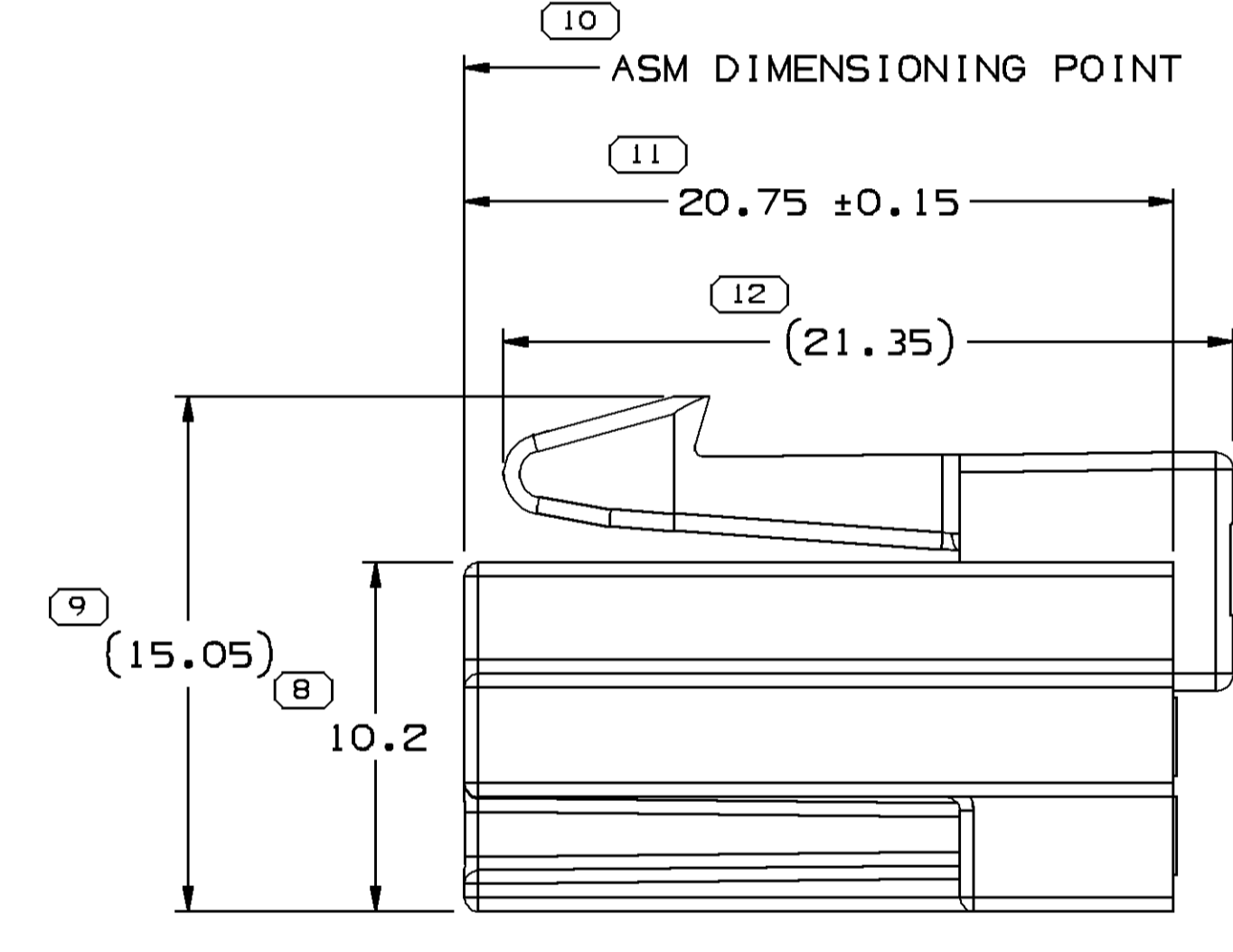
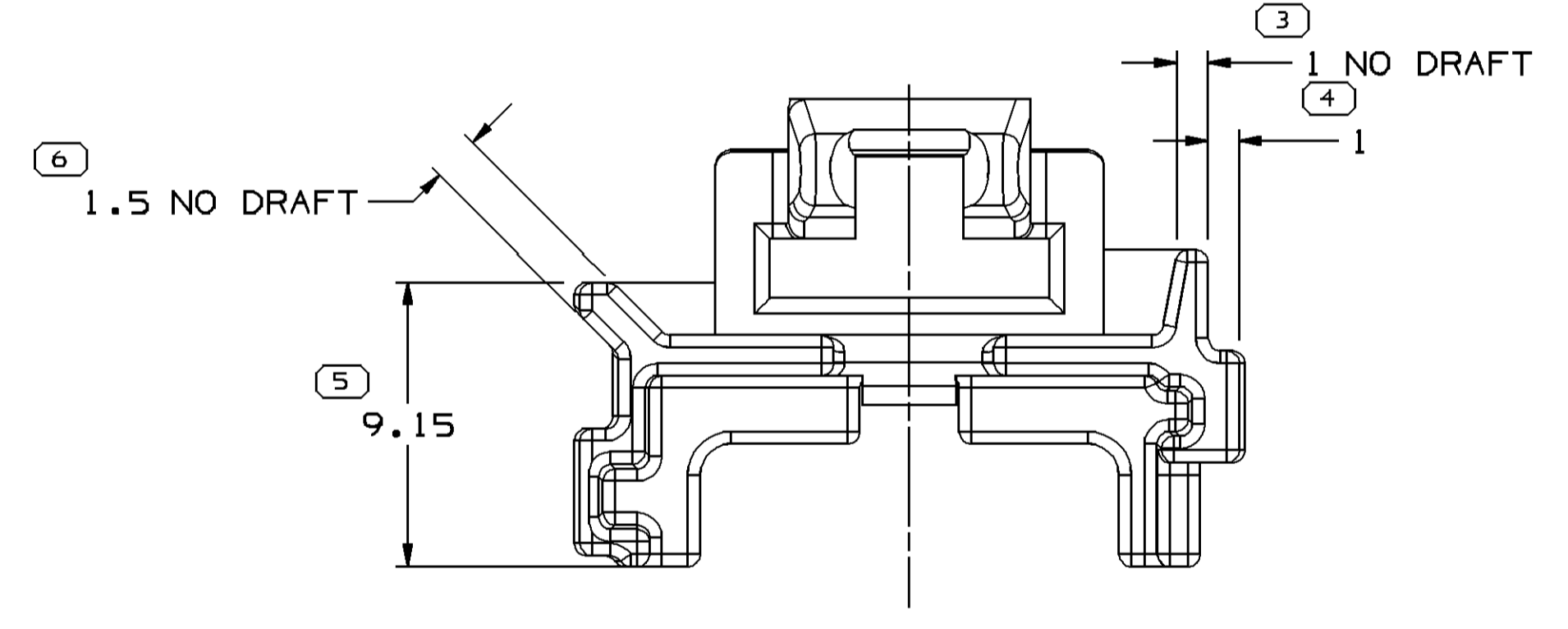
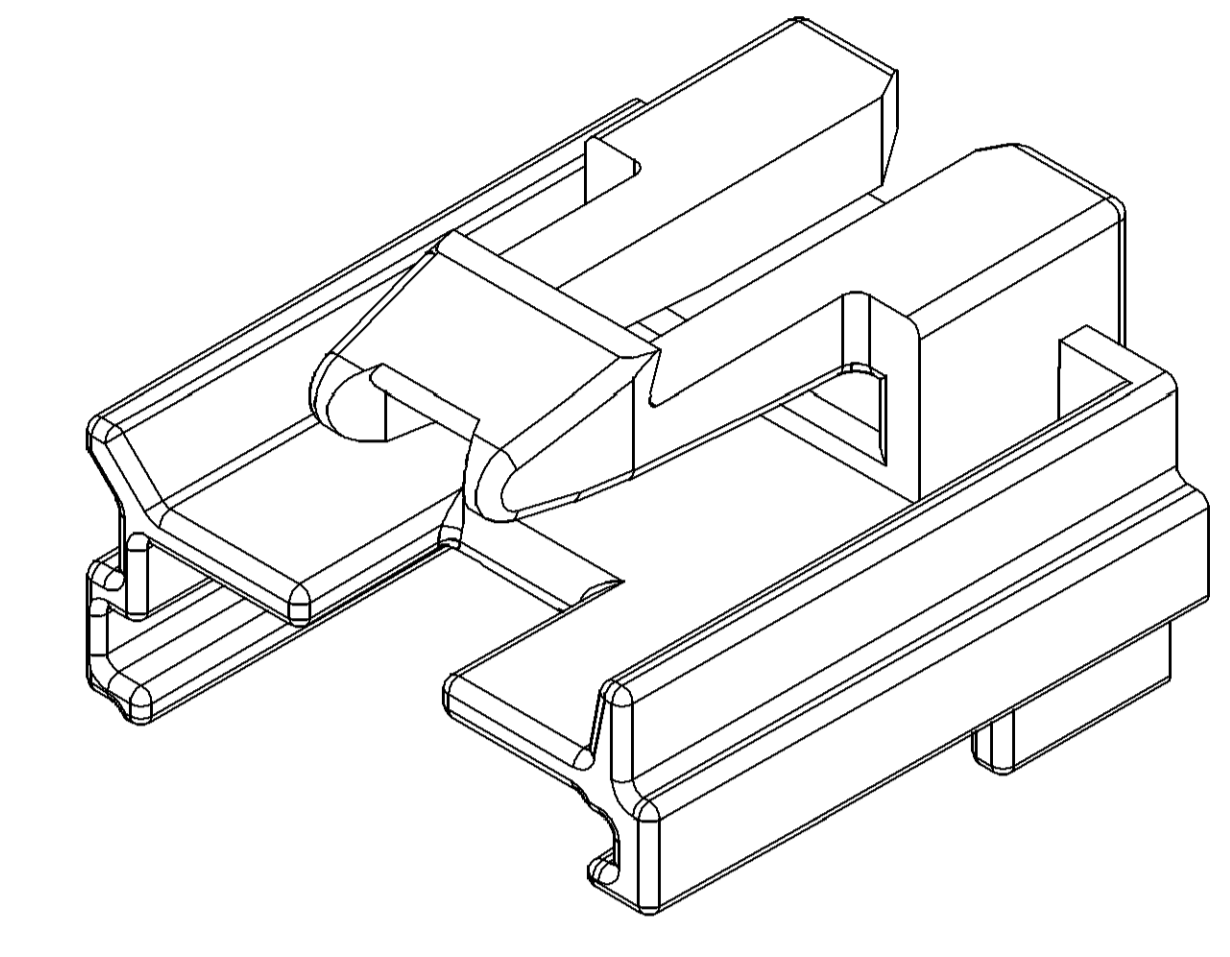
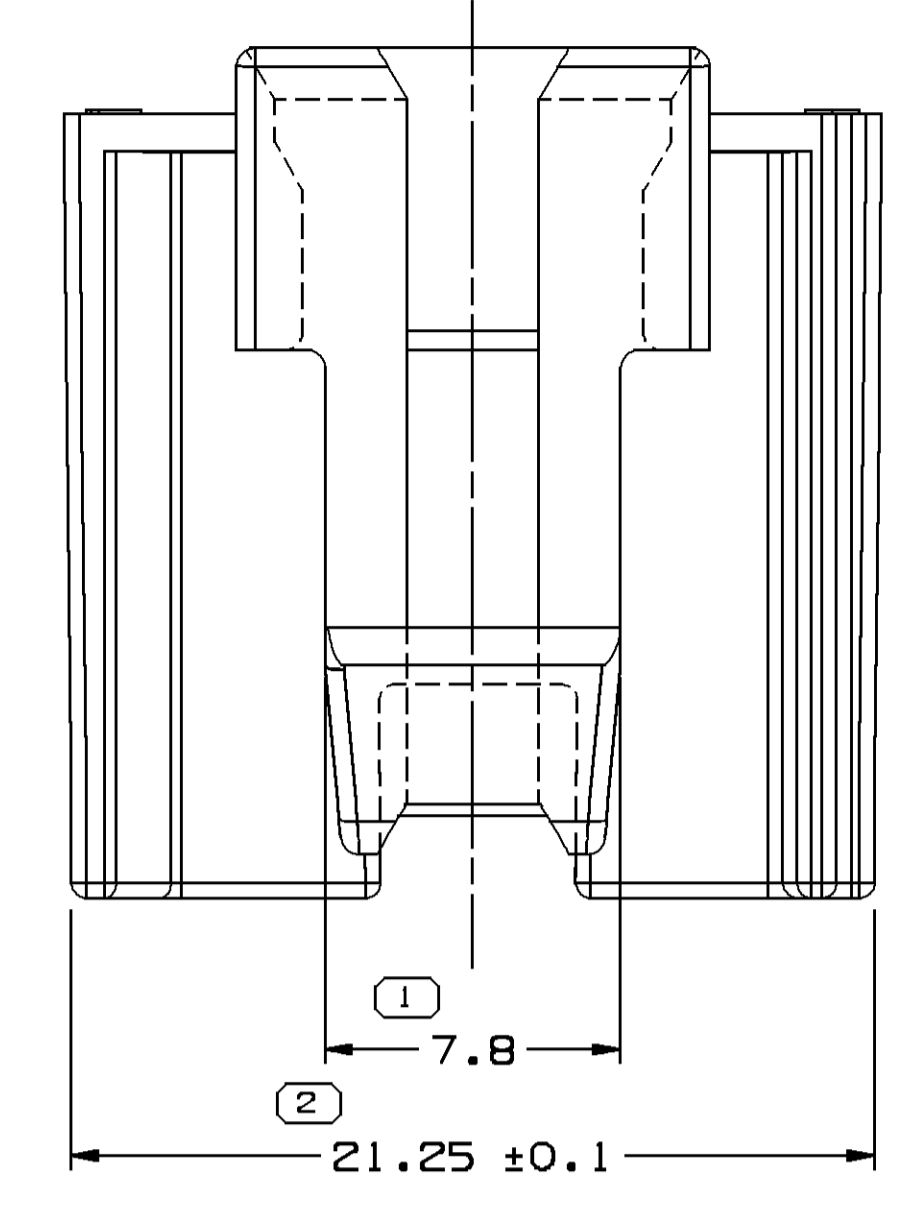


SYMBOL DEFINITION		MISSING SYMBOLS	
A DIMENSION WITHOUT AN INSPECTION REPORT SYMBOL ○ DOES NOT REQUIRE INSPECTION. IT MAY BE CONTROLLED ON THE INDIVIDUAL COMPONENT DRAWING.	TOTAL NO OF INSPECTIONS REQUIRED	NO MISSING SYMBOL NUMBER	12
	LAST NO. USED		12

DWG STATUS				REVISION HISTORY				AUTH	DR	AP/VD	AP/VD
DATE	STG	REV	N/P	CHG	ZONE						
04M104	R	H2	-	-		CLEARED REV COLUMN AND (18.75) WAS 18.75 +/- 0.10	253813	JTV	FKV	MR	
06FE07	R	H3	-	-		ADDED OPTIONAL CONSTRUCTION TO NOTE 2	400394	MM	MM	SS	



- NOTES
- UNLESS OTHERWISE SPECIFIED AND/OR INDICATED: DIMENSIONS ARE TO FACE OF VIEW SHOWN AND AUTOMATICALLY ROUNDED BY COMPUTER FOR INSPECTION (SEE MATH MODEL FOR PRECISE DIMENSIONS). FOR ALL OTHER DIMENSIONS NOT SHOWN BUT REQUIRED FOR TOOL BUILD, SEE MATH MODEL FOR PRECISE TOOL PATH DATA.
 - MATERIAL RECYCLING CODE PER ISO 11469. (2,3)X(0,1) CHARACTERS AS SHOWN TO BE LOCATED ON ANY EXTERIOR SURFACE. OPTIONAL CONSTRUCTION TO BE NO MATERIAL RECYCLING CODE.
 - THIS PART IS NOT CONTROLLED FOR AUTOMATIC FEEDING.
 - REFERENCE MATING COMPONENTS OR EQUIVALENT:
FEMALE CONNECTOR 12092850
MALE CONNECTOR 12092851
 - THIS PART ACCEPTS THE FOLLOWING COMPONENTS OR EQUIVALENT:
CONNECTOR POSITION ASSURANCE LOCK 12052834
 - (2,3)X(0,1) DELPHI CORPORATE BRAND TO BE LOCATED ON ANY EXTERIOR SURFACE, PREFERABLY VISIBLE AT FINAL ASSEMBLY. OPTIONAL CONSTRUCTION TO BE "PED".

Dwg TYPE PART DRAWING	
STYLE	D
VOLUME 10/11	DISTR CODE
1,645	
UNLESS OTHERWISE SPECIFIED THIS DOCUMENT IS IN ACCORDANCE WITH ASME Y14.5M-1994 AS MODIFIED BY THE DIMENSIONING PRACTICES AND TOLERANCING ADDENDUM-001. SEPARATE WRITINGS OF FEATURES MAY BE BASED SEPARATELY PER RELEASE OF DIMENSION REFERENCES.	
ALL DIMENSIONS ARE IN MILLIMETERS	
REFERENCE	12077926
DRAWING NUMBER 12092852	
DRAWING NAME COV SHROUD YEL	
DRAWING NUMBER 12092852	
SIZE A0	SCALE 5:1
FRAME NO 1 OF 1	SHEET NO 1 OF 1
STG R	REV H3
N/P -	

DELPHI
DELPHI PACKARD ELECTRICAL/ELECTRONIC ARCHITECTURE
WARREN, OH

DR	DATE
P.S.I. KIRALY	04AP89
R.W. GLEASON	26OC89
G. BRUSSALIS	22NO89
R. POLEHONKJ	27NO89

UNLESS OTHERWISE SPECIFIED
SUBSTANCES OF CONCERN AND RECYCLED
CONTENT PER DELPHI 10947001

MATERIAL
W3592006 PA66 HS 1M YEL

DATE: 07-24-07 TIME: 08:54