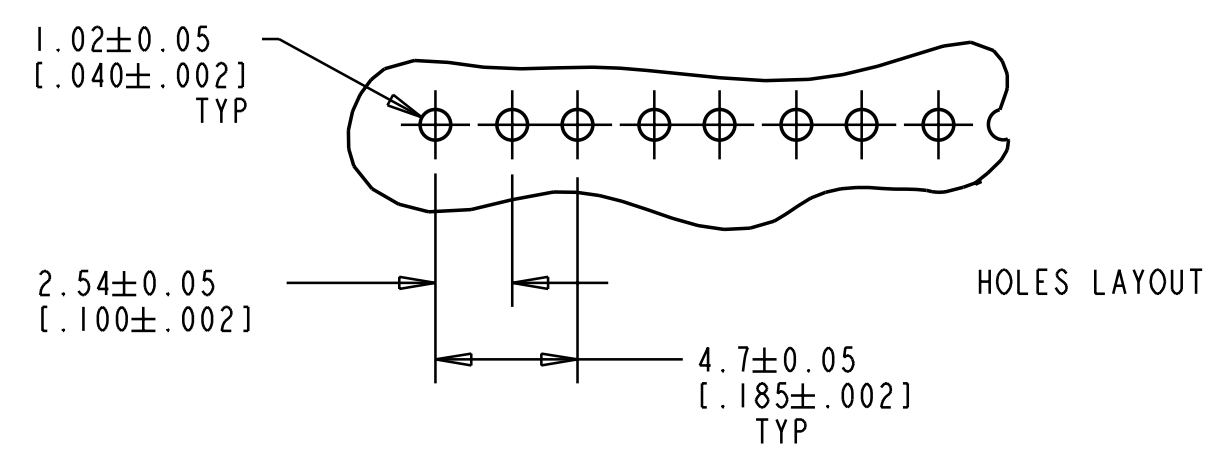
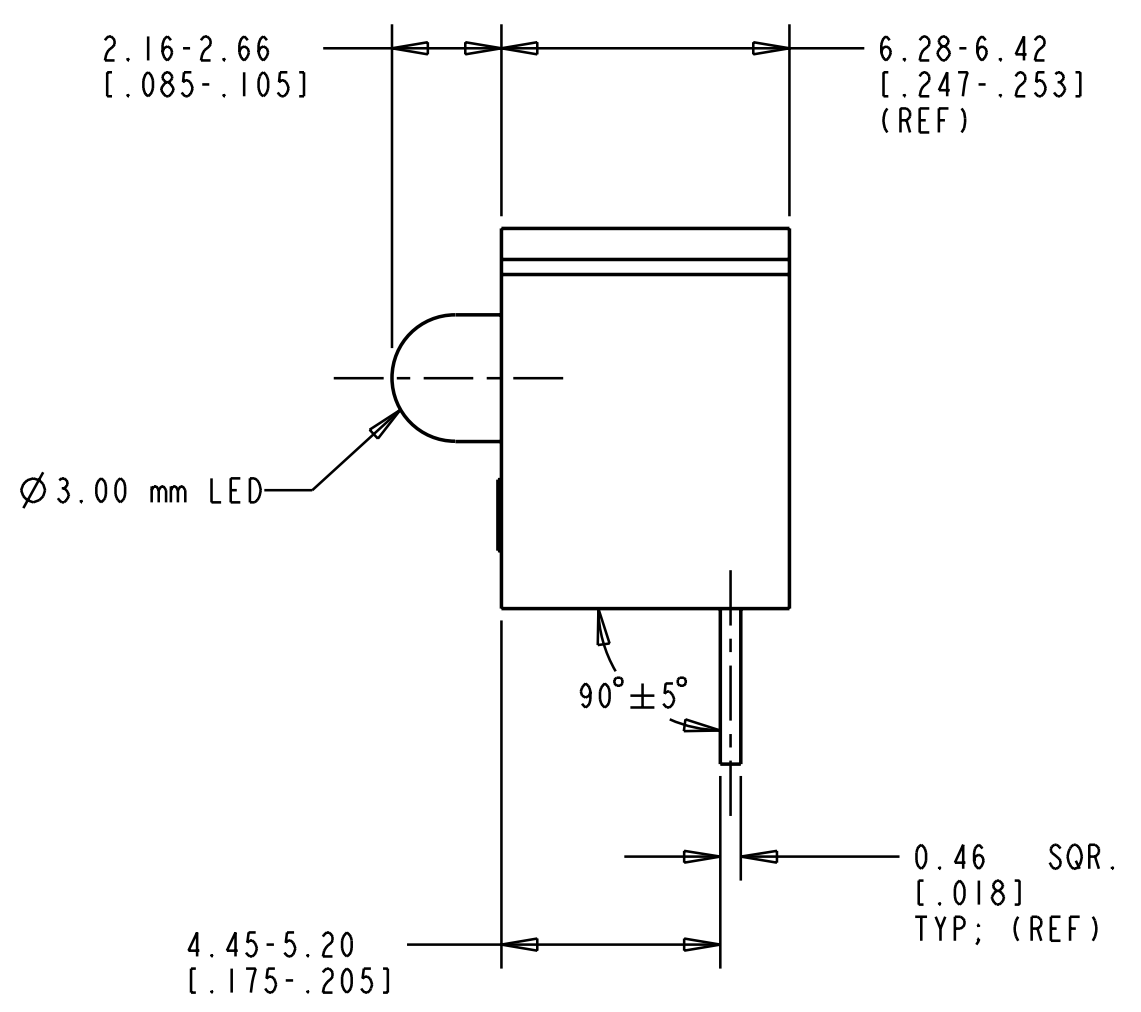
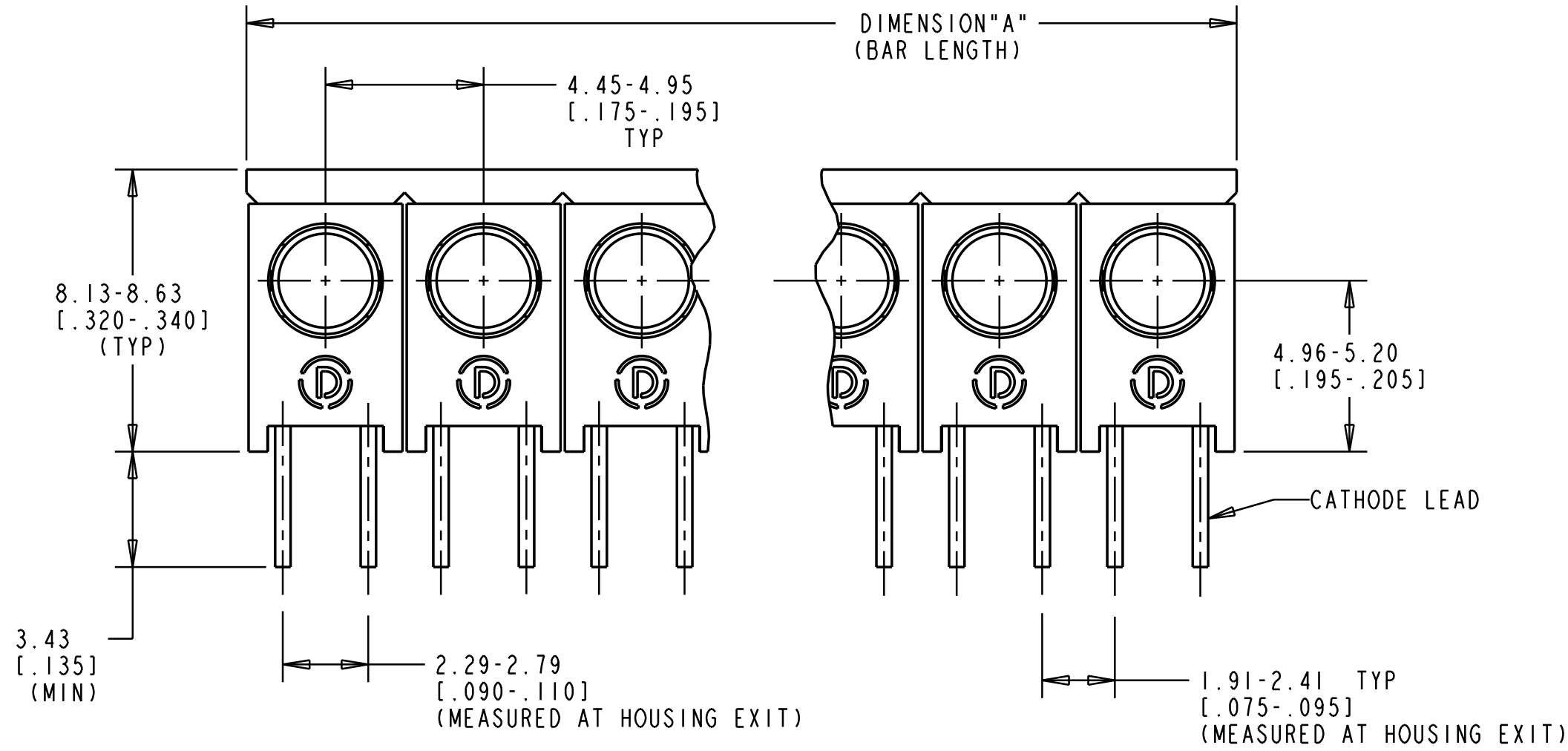


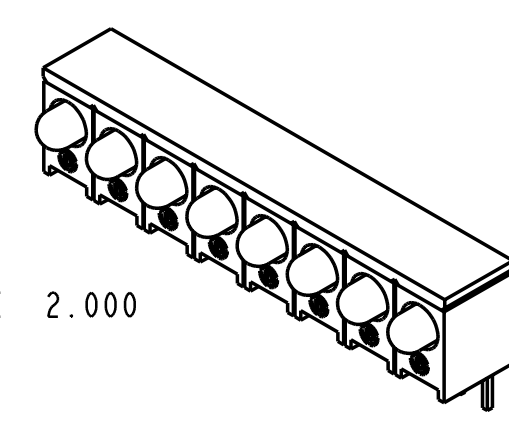
DIALIGHT PART NUMBER	NUMBER OF POSITIONS	DIMENSION "A" (BAR LENGTH) METRIC, [INCHES]	OPERATING CHARACTERISTICS @ T _A = 25°C														
			COLOR	VIEWING ANGLE	FORWARD VOLTAGE (V)		REVERSE VOLTAGE	PEAK WAVELENGTH (nm)	LUMINOUS INTENSITY (mcd)		TEST CONDITIONS						
					TYP	MAX			MIN	TYP							
HLMP-1300-102	2	8.76-9.65, [.346-.380]	RED	60°	1.9	2.4	5 V @ I _R = 100 μA	635	8.6	13.8	I _F = 10 mA						
HLMP-1300-103	3	13.36-14.22, [.526-.560]															
HLMP-1300-104	4	18.54-19.02, [.730-.749]															
HLMP-1301-102	2	8.76-9.65, [.346-.380]															
HLMP-1301-103	3	13.36-14.22, [.526-.560]															
HLMP-1301-104	4	18.54-19.02, [.730-.749]															
HLMP-1301-106	6	27.94-28.45, [1.100-1.120]															
HLMP-1301-108	8	37.39-37.72, [1.472-1.485]															
HLMP-1302-102	2	8.76-9.65, [.346-.380]															
HLMP-1302-104	4	18.54-19.02, [.730-.749]															
HLMP-1302-107	7	32.64-33.15, [1.285-1.305]															
HLMP-1321-104	4	18.54-19.02, [.730-.749]										45°	2.2	3.0	8.6	12.0	I _F = 20 mA
HLMP-1340-104	4	18.54-19.02, [.730-.749]										60°	1.9	2.6	35	45	I _F = 10 mA
HLMP-1385-108	8	37.39-37.72, [1.472-1.485]	60°	2.2	3.0	6.0	10.0	I _F = 10 mA									

MAXIMUM RATINGS				
	HLMP-1300-1XX, HLMP-1301-1XX, HLMP-1302-1XX	HLMP-1321-104	HLMP-1340-104	HLMP-1385-108
LINEAR DERATION FROM 25°C	—	1.8 mW/°C	—	1.8 mW/°C
LINEAR DERATION FROM 50°C	0.5 mA/°C	—	—	—
D.C. FORWARD CURRENT	30 mA			
OPERATING TEMPERATURE	-55°C TO 100°C			
STORAGE TEMPERATURE	-55°C TO 100°C			
LEAD SOLDERING TEMPERATURE	260°C FOR 5 SEC			



DIMENSIONS:
 mm
 [inches]

SCALE 2.000



REV.	ECN NO.	REVISIONS	DRN.	CKD.	APP.	DATE
A	—	NEW RELEASE	M.C.	D.C.	N.O.	3-12-99
B	—	REVISED ELECTRO/OPTICAL SPECS. AND 90° ± 5° WAS 90° ± 10°.	M.C.			

THIS DRAWING AND THE CONTENTS HEREIN ARE CONFIDENTIAL AND THE SOLE PROPERTY OF DIALIGHT. REPRODUCTION OF THIS DRAWING OR CONSTRUCTION OF ANY PARTS WITHIN THIS DRAWING ARE FORBIDDEN WITHOUT THE WRITTEN CONSENT OF DIALIGHT.		
SCALE 4:1	DRAWING NUMBER	REV
ALL DIM'S IN: INCHES	C-16497	B
TOLERANCES: UNLESS OTHERWISE SPECIFIED	TITLE	
FRACTIONS: ±1/64	Ø 3.00 mm CBI ARRAY, RED	
DECIMALS (.XX): ±.01	MATERIAL	
DECIMALS (.XXX): ±.005	Dialight	
DECIMALS (.XXXX): ±.0005	1913 ATLANTIC AVE. MANASQUAN, N.J. 08736	
ANGLES: ±1°	FSCM 83330	
FINISH:	SHEET OF	FAMILY TABLES: