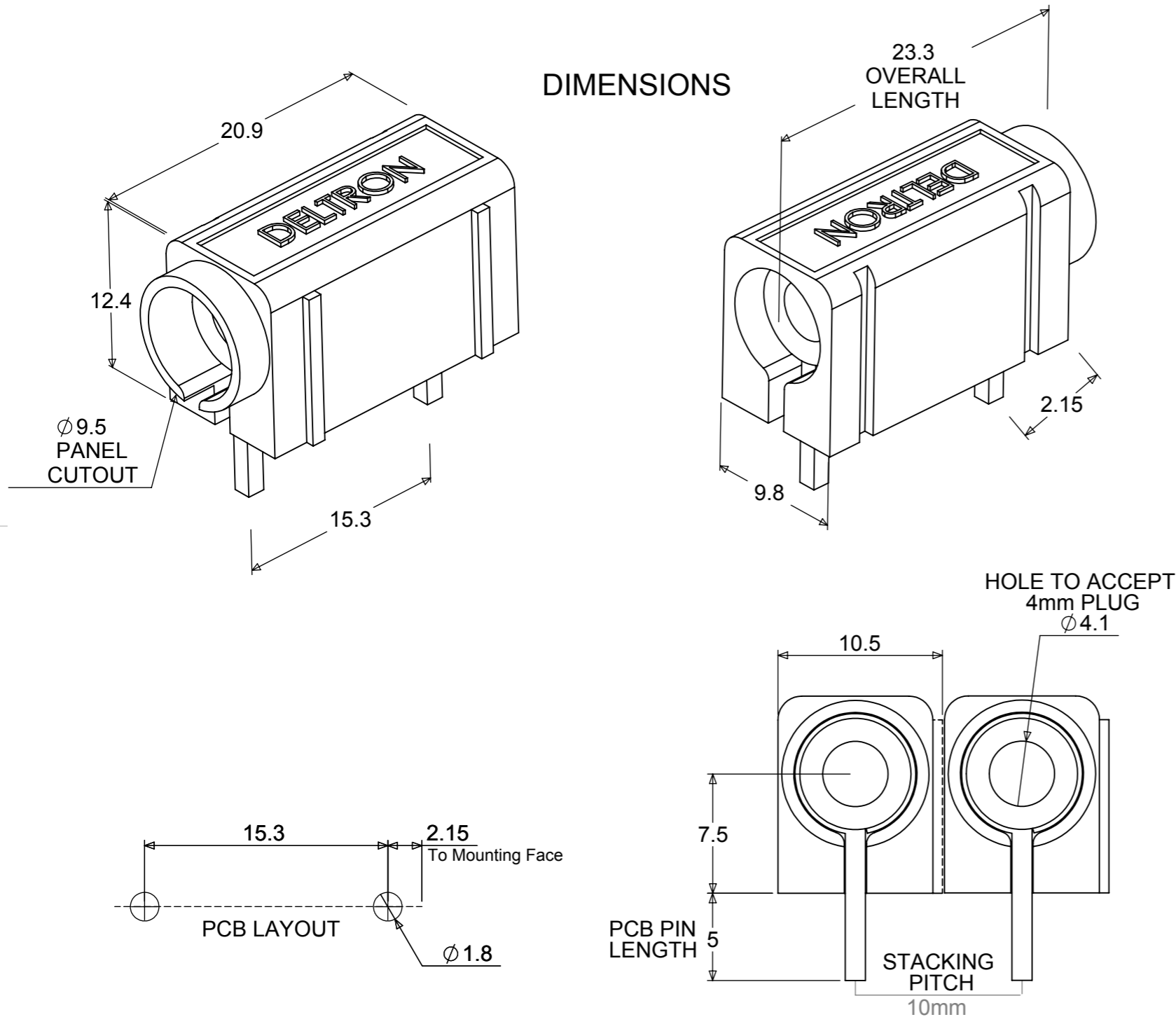


An insulated 4mm socket, for direct mounting onto a printed circuit boards.
Grooves in the outer acetal housing provide stacking alignment for board space saving.

DIMENSIONS



Insulant	Acetal-LG chemical LUCCEL N127-LD/DN127-LD	Acetal - C27021 R
Pin	Brass silver plate	Brass Micron Silver Plated Deltron Spec 09-001
Bush	Brass silver plate	Brass Micron Silver Plated Deltron Spec 10-001
Amps	10A	
Nominal working Voltage	250 V RMS	
Contact Resistance	10mΩ	
Maximum Temperature RTI	+ 110°C	
Minimum temperature	- 25°C	
Recommended Temperature	10A'@55°C	
Voltage Breakdown	5000v	
Conductor size	1.5mm ²	
Colours	ORDER CODE	
Black	571-0100	
Blue	571-0200	
Brown	571-0300	
Green	571-0400	
Red	571-0500	
White	571-0600	
Yellow	571-0700	

Component complies with 260° deg J-STD-075
Non-IC Electronic Components Standard
Met PSL W4

90° PCB MOUNTED INSULATED SOCKET-SINGLE



PROPRIETARY AND CONFIDENTIAL
THE INFORMATION CONTAINED IN THIS
DRAWING IS THE SOLE PROPERTY OF
DEM MANUFACTURING.
ANY REPRODUCTION IN PART OR AS A
WHOLE WITHOUT THE WRITTEN
PERMISSION OF **DEM MANUFACTURING**
IS PROHIBITED.



Drawn by SPB 19/02/09
FINISH:
THIRD ANGLE PROJECTION
DEBUR AND BREAK SHARP EDGES
IF IN DOUBT ASK DO NOT SCALE DRAWING

UNLESS OTHERWISE SPECIFIED:
DIMENSIONS ARE IN MILLIMETRES
LINEAR TOLERANCES:
NO DECIMAL PLACES ±0.5mm
1 DECIMAL PLACE ±0.1mm
2 DECIMAL PLACES ±0.03mm
ANGULAR TOLERANCES: ±1°
MATERIAL:

A3
TITLE: **GENERAL SPECIFICATION FOR 571 SERIES**
DWG NO. **571-SERIES**
13
ISSUE