

**PROBE SPECIFICATIONS**

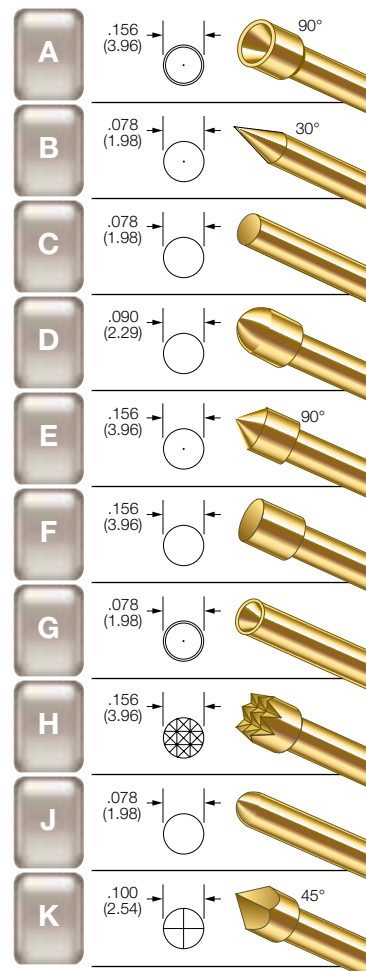
**Minimum Centers:**  
 Tip Styles B, C, D, G, J, K  
 .156 (3.96)  
 Tip Styles A, E, F, H  
 .187 (4.75)  
**Current Rating:** 5 amps continuous  
**Spring Force:** 5.0 or 7.0 oz. @ .170 (4.32) travel  
**Typical Resistance:** < 20 mΩ  
**Maximum Travel:** .250 (6.35)  
**Working Travel:** .170 (4.32)

Rated Force oz (g)	Preload oz (g)
5.0 (142)	2.0 (57)
7.0 (198)	2.8 (79)

**MATERIALS**

**Barrel:** Nickel/silver, gold plated  
**Spring:** Stainless steel, gold plated  
**Plunger:** Beryllium copper, gold plated over nickel or Duralloy™  
**Receptacle:** Nickel/silver, gold plated, gold plated post

**BeCu PLUNGER TIPS**



RECEPTACLE OPTIONS				
Part Number	Style	Receptacle Length	Probe/Receptacle Combined Length*	Comments
R-4-CR	Crimp	1.219 (30.96)	1.549 (39.34)	—
R-4-SC	Solder Cup	1.219 (30.96)	1.549 (39.34)	—
R-4-WW-429	Wire Wrap	1.648 (41.86)	1.978 (50.24)	.429 post length - .025 sq.

\* Headless probes sit .020" deeper in receptacle. Dimension shown is for headed probe.

HOW TO ORDER: SPRING CONTACT PROBE					RECEPTACLE			
<b>S</b>	<b>4</b>	<b>A</b>	<b>5</b>	<b>G</b>	<b>R</b>	<b>4</b>	<b>WW</b>	<b>429</b>
SERIES	SIZE	TIP STYLE	SPRING FORCE	PLATING OPTIONS	SERIES	SIZE	TERMINATION	POST LENGTH
SPRING FORCE: 5.0 oz. @ .170 (4.32) TRAVEL 7.0 oz. @ .170 (4.32) TRAVEL			PLATING OPTIONS: G: GOLD PLATED PLUNGER D: DURALLOY™ PLATED PLUNGER		TERMINATIONS: CR: CRIMP SC: SOLDER CUP WW: WIRE WRAP		POST LENGTH: WW: 429	
CRIMPING PLIERS: CP4 INSERTION TOOL: RT4								

VIEW UPDATES OF THIS INFORMATION AT [WWW.IDINET.COM](http://WWW.IDINET.COM)

Specifications subject to change without notice. Dimensions in inches (millimeters)