

PROBE SPECIFICATIONS

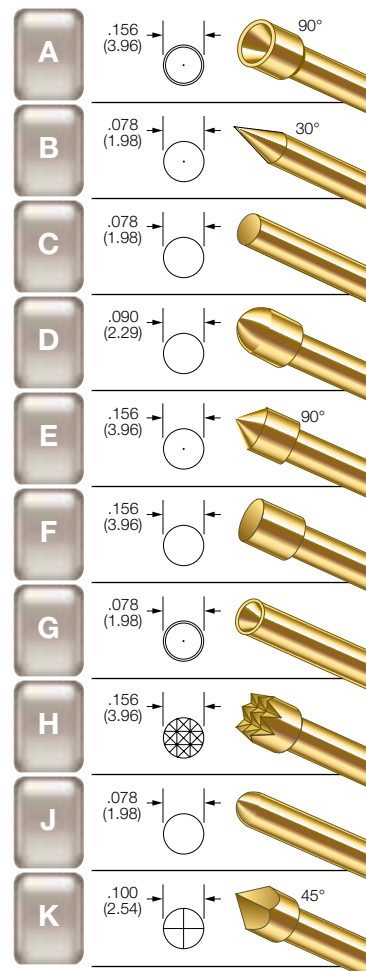
Minimum Centers:
 Tip Styles B, C, D, G, J, K
 .156 (3.96)
 Tip Styles A, E, F, H
 .187 (4.75)
Current Rating: 5 amps continuous
Spring Force: 5.0 or 7.0 oz. @ .170 (4.32) travel
Typical Resistance: < 20 mΩ
Maximum Travel: .250 (6.35)
Working Travel: .170 (4.32)

Rated Force oz (g)	Preload oz (g)
5.0 (142)	2.0 (57)
7.0 (198)	2.8 (79)

MATERIALS

Barrel: Nickel/silver, gold plated
Spring: Stainless steel, gold plated
Plunger: Beryllium copper, gold plated over nickel or Duralloy™
Receptacle: Nickel/silver, gold plated, gold plated post

BeCu PLUNGER TIPS



RECEPTACLE OPTIONS				
Part Number	Style	Receptacle Length	Probe/Receptacle Combined Length*	Comments
R-4-CR	Crimp	1.219 (30.96)	1.549 (39.34)	—
R-4-SC	Solder Cup	1.219 (30.96)	1.549 (39.34)	—
R-4-WW-429	Wire Wrap	1.648 (41.86)	1.978 (50.24)	.429 post length - .025 sq.

* Headless probes sit .020" deeper in receptacle. Dimension shown is for headed probe.

HOW TO ORDER: SPRING CONTACT PROBE					RECEPTACLE			
S	4	A	5	G	R	4	WW	429
SERIES	SIZE	TIP STYLE	SPRING FORCE	PLATING OPTIONS	SERIES	SIZE	TERMINATION	POST LENGTH
SPRING FORCE: 5.0 oz. @ .170 (4.32) TRAVEL 7.0 oz. @ .170 (4.32) TRAVEL		PLATING OPTIONS: G: GOLD PLATED PLUNGER D: DURALLOY™ PLATED PLUNGER			TERMINATIONS: CR: CRIMP SC: SOLDER CUP WW: WIRE WRAP		POST LENGTH: WW: 429	
CRIMPING PLIERS: CP4 INSERTION TOOL: RT4								

VIEW UPDATES OF THIS INFORMATION AT WWW.IDINET.COM

Specifications subject to change without notice. Dimensions in inches (millimeters)