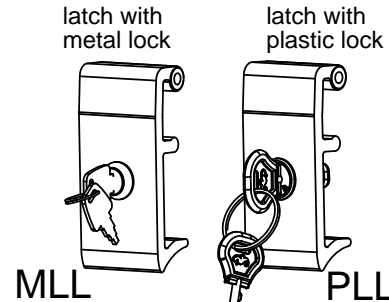
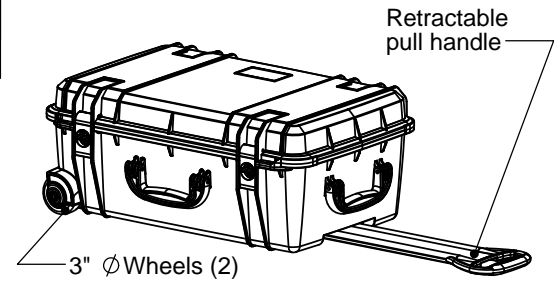
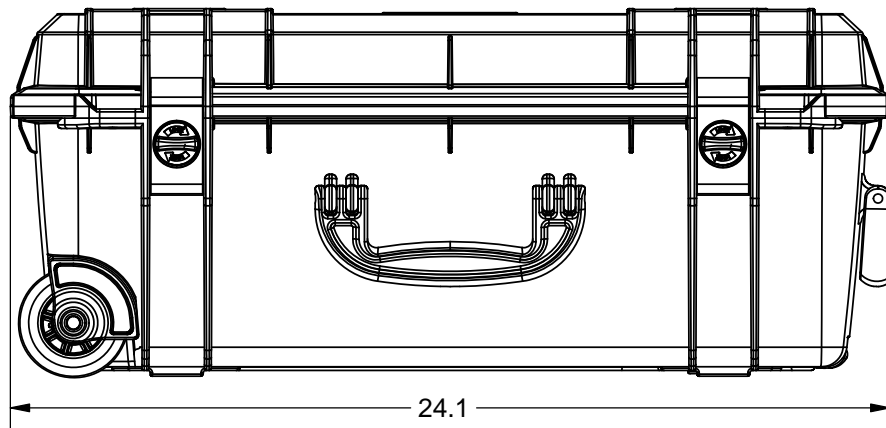
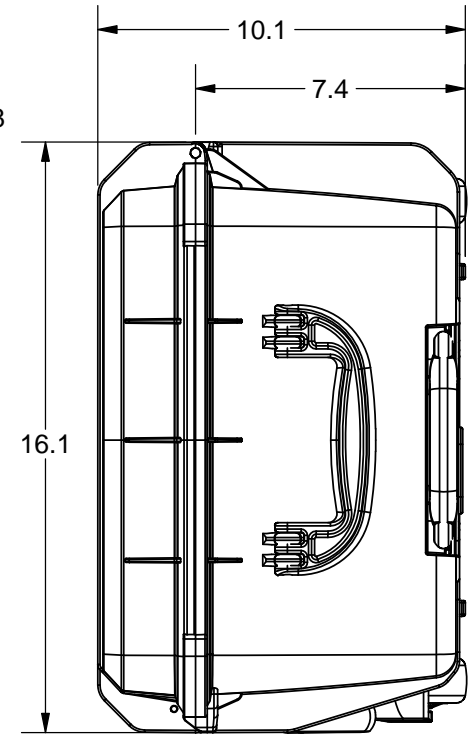
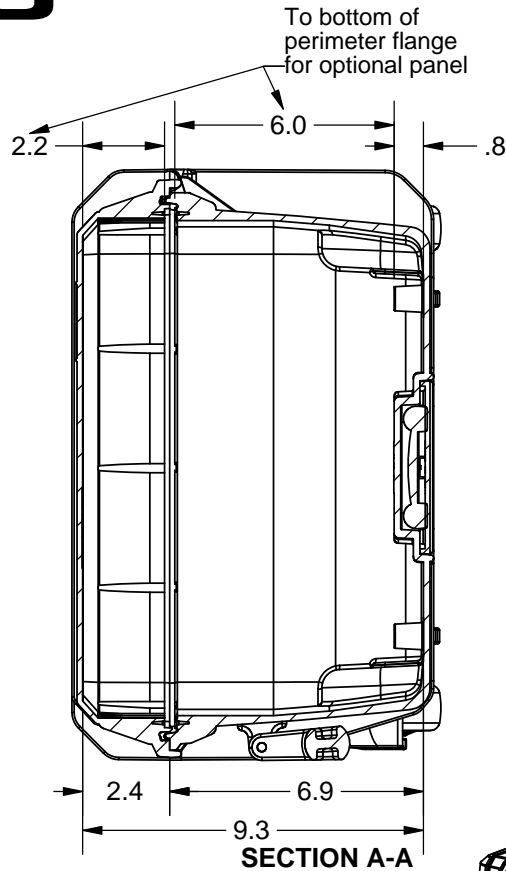
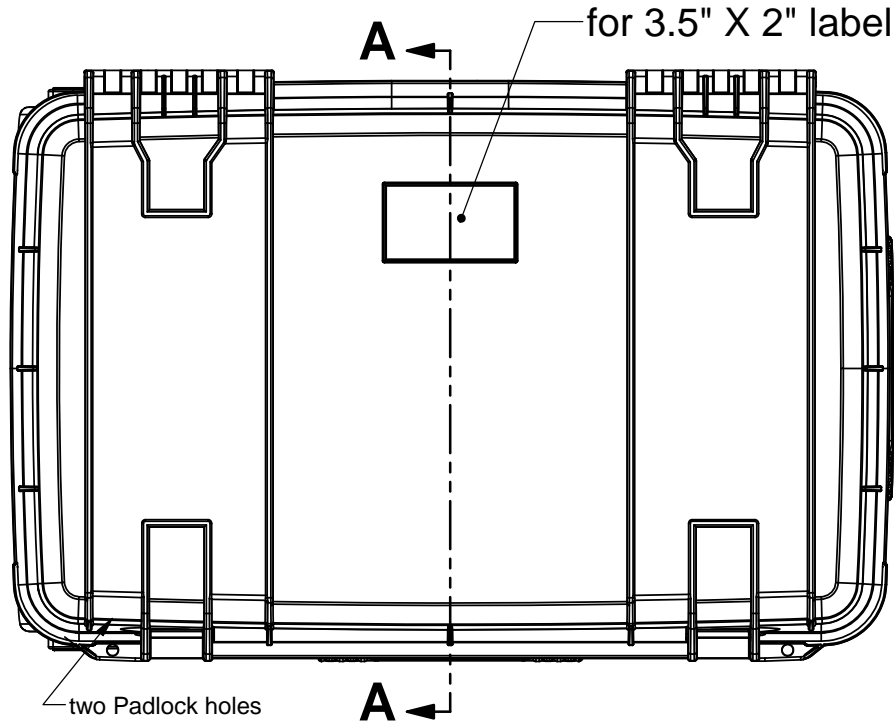


SERPAC SE920

Electronic Enclosures



Optional latches must be specified at time of order. See note 2

NOTES:

- 1) Max. usable inside dimensions are:
22 1/8" X 13 1/2" X 8 1/2" (9 5/16" bottom of boss)
 (22.1" X 13.5" X 8.5")
- 2) With Metal Lock Latches p/n SE920ML and Plastic Lock Latches p/n SE920PL are optional.
- 3) Bosses on bottom use a 1/4 self tapping screw.