

**PLEASE CHECK WWW.MOLEX.COM FOR LATEST PART INFORMATION**

**Part Number:** [1300350008](#)  
**Status:** **Active**  
**Overview:** [DeviceNet Solutions](#)  
**Description:** DeviceNet Power Monitor Inline with LEDs, 5 Pole, Female to Male

**Documents:**

[Drawing \(PDF\)](#) [RoHS Certificate of Compliance \(PDF\)](#)

**General**

Product Family	Industrial Tees and Splitters
Series	<a href="#">130035</a>
IP Rating	IP67
Overview	<a href="#">DeviceNet Solutions</a>
Product Name	DeviceNet Trunk
Type	Diagnostic Tee
UPC	78678853318

**Physical**

Color - Cable Jacket	Gray
Drop Connector	N/A
Drop Gender	N/A
Keyway	Single
LED Indicator	Blue, Green, Red, Yellow
Left Trunk Connector	DeviceNet
Left Trunk Gender	Female
Leg 1 Length	N/A
Leg 2 Length	N/A
Material - Cable Jacket	N/A
Material - Connector Body	TPE
Material - Coupling Nut	Black Epoxy Coated Zinc
Poles	5
Right Trunk Connector	DeviceNet
Right Trunk Gender	Male
Temperature Range - Operating	-20°C to +80°C

**Electrical**

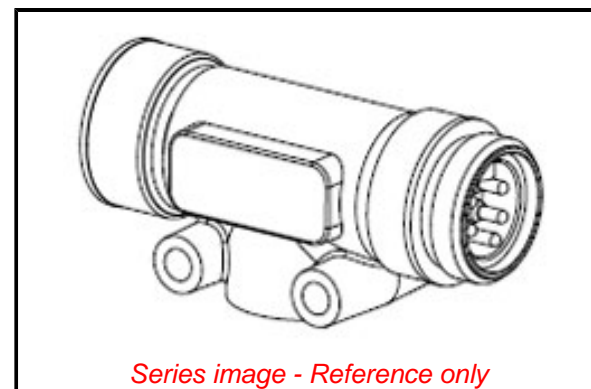
Current - Maximum per Contact	8.0A
Voltage - Maximum	30V AC

**Material Info**

Engineering Number	115011A-PM-3
--------------------	--------------

**Reference - Drawing Numbers**

Sales Drawing	SD-130035-010
---------------	---------------



*Series image - Reference only*

**EU ELV**

**Not Relevant**

**EU RoHS**

**Not Reviewed**

**REACH SVHC**

Not Reviewed

**Halogen-Free**

**Status**

**Not Reviewed**

For more information, please visit [Contact US](#)

China ROHS

Not Reviewed

ELV

Not Relevant

RoHS Phthalates

Not Reviewed

**Search Parts in this Series**

[130035 Series](#)