

THIS DRAWING IS UNPUBLISHED.

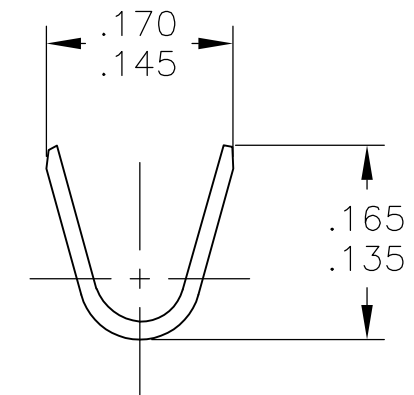
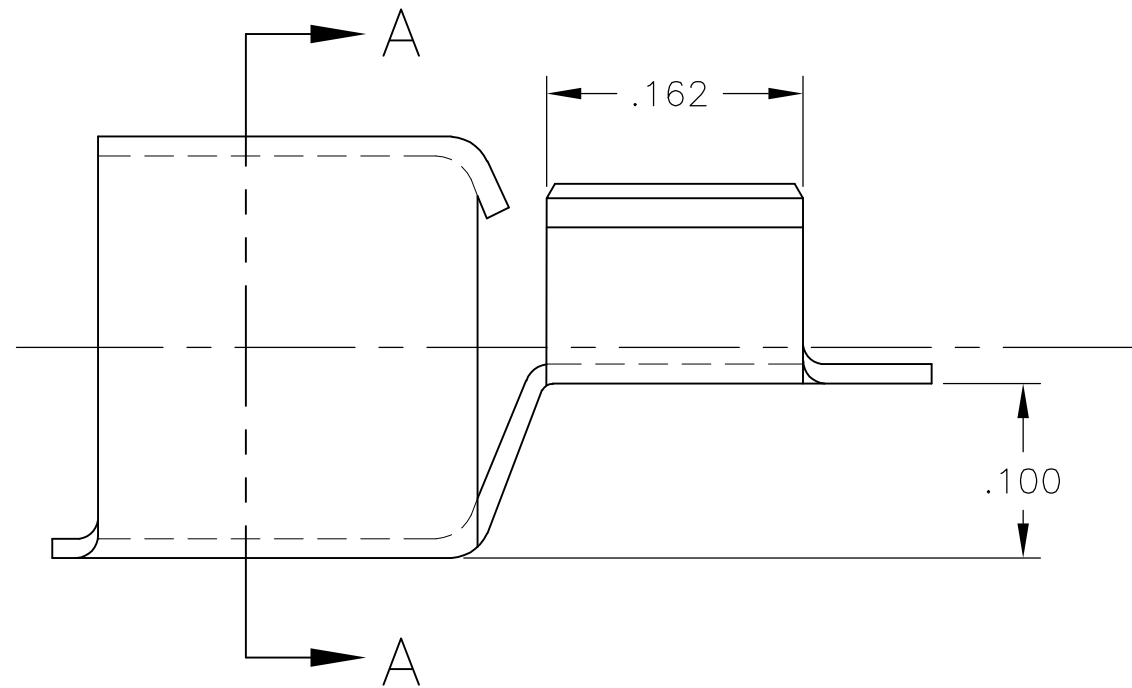
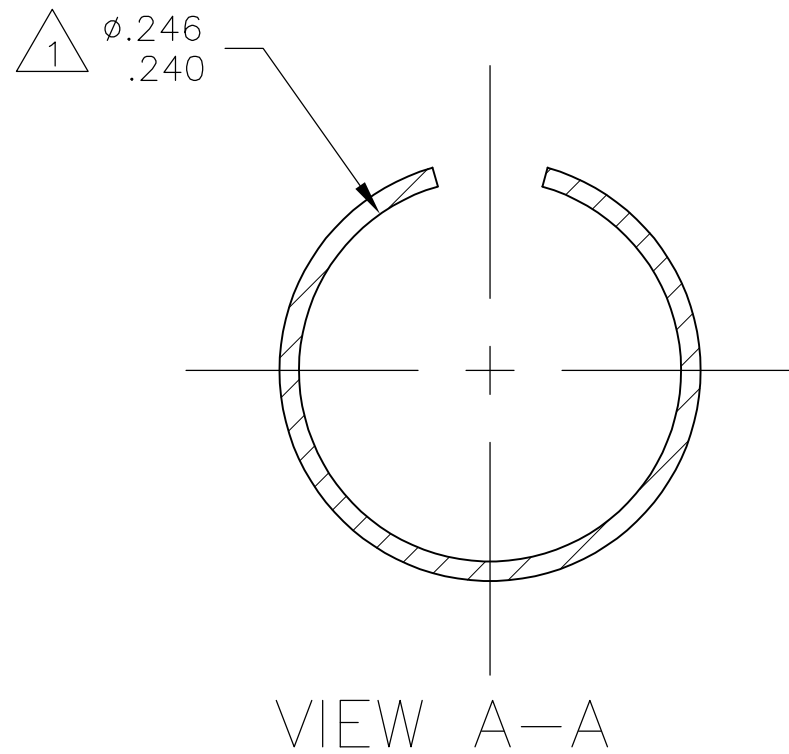
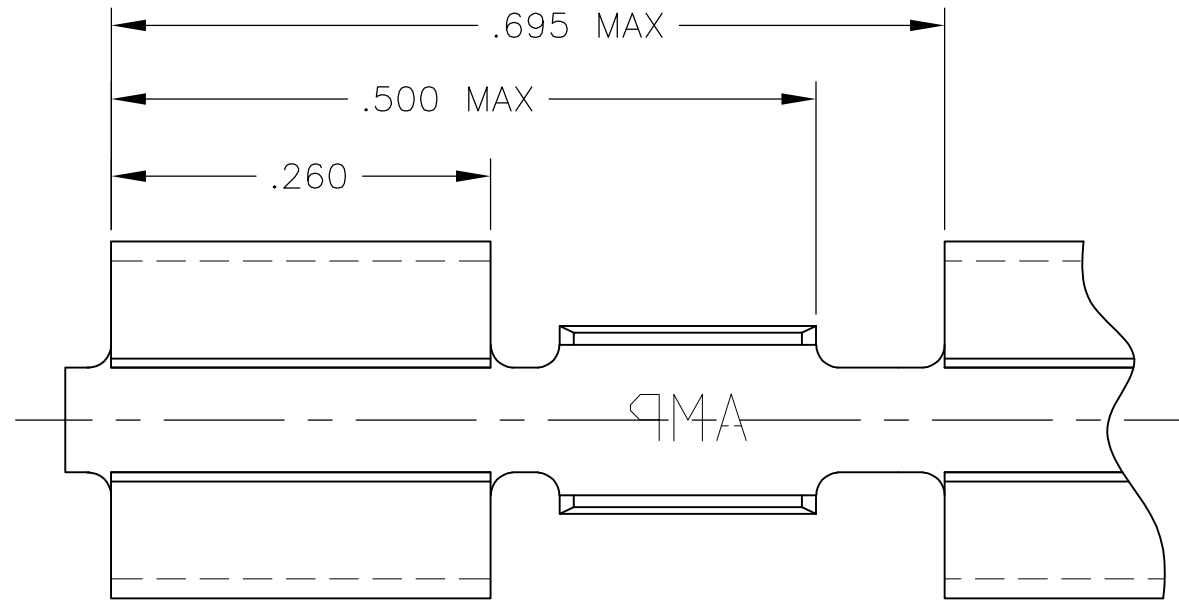
RELEASED FOR PUBLICATION

REVISIONS

© COPYRIGHT - By -


ALL RIGHTS RESERVED.

P	LTR	DESCRIPTION	DATE	DWN	APVD
	H1	REVISED PER ECR-17-000551	20NOV2016	RS	TD



PRE-TIN	.020 BRASS	40626
PLATING	MATERIAL	PART NO

1 FITS ON $\phi.250 \pm .003$ PIN.

THIS DRAWING IS A CONTROLLED DOCUMENT.		DWN RAVI S 20NOV2016	 TE Connectivity		
DIMENSIONS: INCHES		CHK LI DAISY 16JAN2017			
TOLERANCES UNLESS OTHERWISE SPECIFIED:		APVD DING TIM 20NOV2016	NAME FUSE RECEPTACLE		
0 PLC ± - 1 PLC ± - 2 PLC ± - 3 PLC ± .015 4 PLC ± - ANGLES ± -		PRODUCT SPEC -	RESTRICTED TO -		
MATERIAL SEE TABLE		APPLICATION SPEC -	SIZE A3	CAGE CODE 00779	DRAWING NO C-40626
FINISH SEE TABLE		WEIGHT -	SCALE 1:1		SHEET 1 OF 1
CUSTOMER DRAWING			REV H1		