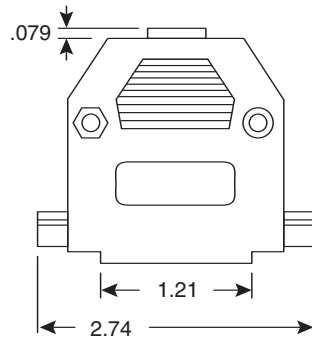
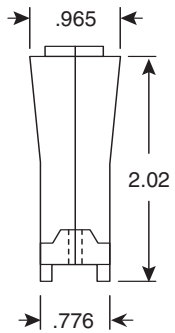
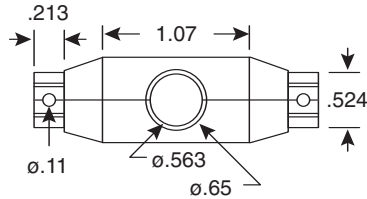
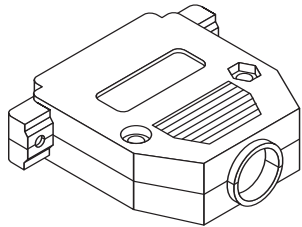


# D-Sub Connector Hood

156-3037



D-Sub Connector Hood



Dimensions: In.

SPECIFICATIONS	
Type:	Plastic metallized locking hood, RFI/EMI shielded, straight cable exit
Shell:	Size DB37
Plating:	Nickel over copper

Date Last Revised: 5-9-05

Available from Mouser Electronics  
 1-800-346-6873  
[www.mouser.com](http://www.mouser.com)

KC-300682

156-3037