



(1.27 mm) .050"

**TFSD, TFSDT SERIES**

# TIGER EYE™ DISCRETE CABLE ASSEMBLY

## SPECIFICATIONS

For complete specifications see [www.samtec.com?TFSD](http://www.samtec.com?TFSD) or [www.samtec.com?TFSDT](http://www.samtec.com?TFSDT)

**Insulator Material:**

Black LCP

**Contact Material:**

BeCu

**Plating:**

Au over 50 μ" (1.27 μm) Ni

**Operating Temp Range:**

-10 °C to +80 °C (PVC)

-40 °C to +125 °C (\*Teflon®)

**Wire:**

28 or 30 AWG

**RoHS Compliant:**

Yes

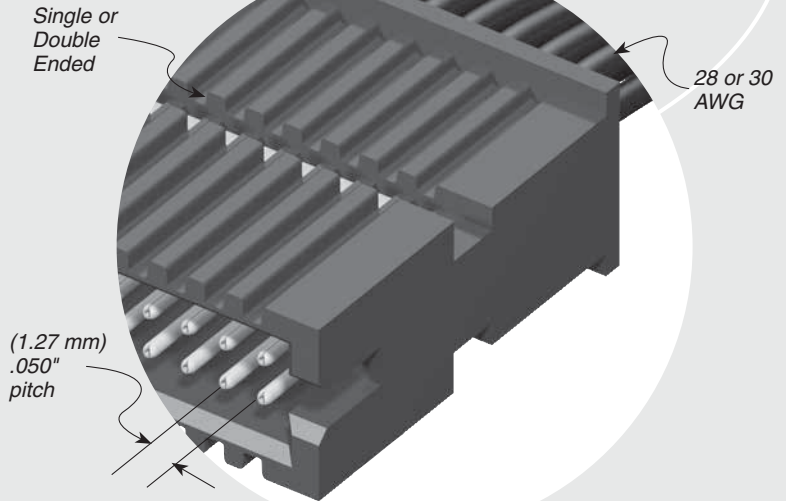
**Mates with:**

SFM, SFC (-TR requires

TFM-WT option),

SFML (-XL end option

required)



## RECOGNITIONS

For complete scope of recognitions see [www.samtec.com/quality](http://www.samtec.com/quality)



FILE NO. E111594

## ALSO AVAILABLE (MOQ Required)

- Color coded cable (\*Teflon® not available)
- Other plating options

\*DuPont™ Teflon® is a registered trademark of the E.I. du Pont de Nemours and Company or its affiliates.

TYPE STRIP	POSITIONS PER ROW	WIRE GAUGE	PLATING OPTION	ASSEMBLED LENGTH	END OPTION	END 2 OPTION
------------	-------------------	------------	----------------	------------------	------------	--------------

**TFSD**  
= Double Row PVC Cable

**TFSDT**  
= Double Row \*Teflon® Cable

-03, -04,  
-05, -07,  
-10, -15,  
-20, -25,  
-40, -50  
(Standard sizes)

-30  
= 30 AWG

-28  
= 28 AWG

-G  
= 10 μ" (0.25 μm) Gold on contact

"XX.XX"  
= Assembled Length in Inches (76.20 mm)  
03.00" min. for -S end option (82.60 mm)  
03.25" min. for -D, -T, -TF, & -TR end option

-S  
= Single Ended

-D  
= Double Ended

-T  
= Transfer End Terminal on End 1 Socket on End 2

-TF  
= Transfer End with Friction Lock (-05 & -07 positions not available.)

-TR  
= Transfer End with Retention Latch (TFM -WT option required for mating)

Requires -D, -TF or -TR (End 1 Notch Down).

-NUS  
= Notch up, straight

-NDS  
= Notch down, straight

-NUX  
= Notch up, crossed

-NDX  
= Notch down, crossed

OPTION	PIN CONFIGURATION
T-NUS	Pin 1 to Pin N
T-NDS	Pin 1 to Pin 1
T-NUX	Pin 1 and Pin N-1
T-NDX	Pin 1 to Pin 2
D-NUS	Pin 1 to Pin 2
D-NDS	Pin 1 and Pin N-1
D-NUX	Pin 1 and Pin 1
D-NDX	Pin 1 to Pin N



**Notes:**  
For wiring option and pin position location information, refer to drawings on web.  
Teflon® cable is intended for crimp only. Contact Samtec for solderable cable applications.  
Some lengths, styles and options are non-standard, non-returnable.

Due to technical progress, all designs, specifications and components are subject to change without notice.

[WWW.SAMTEC.COM](http://WWW.SAMTEC.COM)

All parts within this catalog are built to Samtec's specifications. Customer specific requirements must be approved by Samtec and identified in a Samtec customer-specific drawing to apply.