



(1.27 mm) .050"

**TFSD, TFSDT SERIES**

# TIGER EYE™ DISCRETE CABLE ASSEMBLY

## SPECIFICATIONS

For complete specifications see [www.samtec.com?TFSD](http://www.samtec.com?TFSD) or [www.samtec.com?TFSDT](http://www.samtec.com?TFSDT)

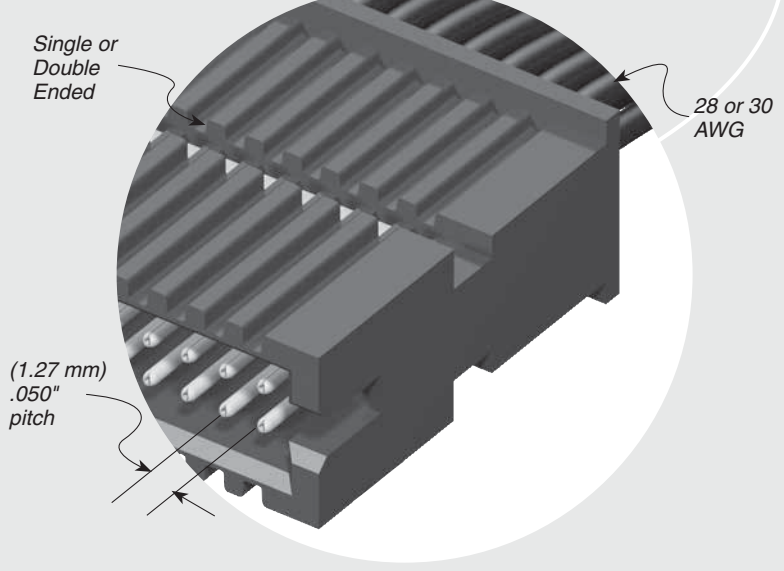
**Insulator Material:**  
Black LCP  
**Contact Material:**  
BeCu  
**Plating:**  
Au over 50 μ" (1.27 μm) Ni  
**Operating Temp Range:**  
-10 °C to +80 °C (PVC)  
-40 °C to +125 °C (\*Teflon®)  
**Wire:**  
28 or 30 AWG  
**RoHS Compliant:**  
Yes

## RECOGNITIONS

For complete scope of recognitions see [www.samtec.com/quality](http://www.samtec.com/quality)



**Mates with:**  
SFM, SFC (-TR requires TFM-WT option), SFML (-XL end option required)



## ALSO AVAILABLE (MOQ Required)

- Color coded cable (\*Teflon® not available)
- Other plating options

\*DuPont™ Teflon® is a registered trademark of the E.I. du Pont de Nemours and Company or its affiliates.

## TYPE STRIP — POSITIONS PER ROW — WIRE GAUGE — PLATING OPTION — ASSEMBLED LENGTH — END OPTION — END 2 OPTION

**TFSD**  
= Double Row PVC Cable  
**TFSDT**  
= Double Row \*Teflon® Cable

**-03, -04, -05, -07, -10, -15, -20, -25, -40, -50**  
(Standard sizes)

**-30**  
= 30 AWG  
**-28**  
= 28 AWG

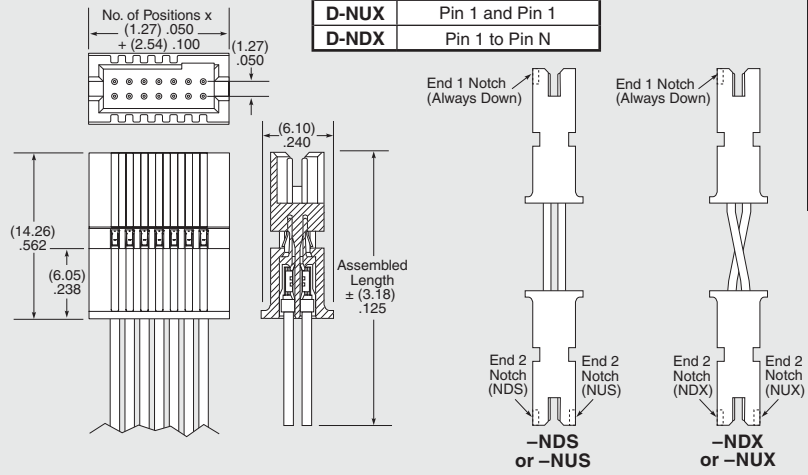
**-G**  
= 10 μ" (0.25 μm) Gold on contact

**"XX.XX"**  
= Assembled Length in Inches (76.20 mm)  
03.00" min. for -S end option (82.60 mm)  
03.25" min. for -D, -T, -TF, & -TR end option

**-S**  
= Single Ended  
**-D**  
= Double Ended  
**-T**  
= Transfer End Terminal on End 1 Socket on End 2  
**-TF**  
= Transfer End with Friction Lock (-05 & -07 positions not available.)  
**-TR**  
= Transfer End with Retention Latch (TFM -WT option required for mating)

Requires -D, -TF or -TR (End 1 Notch Down).  
**-NUS**  
= Notch up, straight  
**-NDS**  
= Notch down, straight  
**-NUX**  
= Notch up, crossed  
**-NDX**  
= Notch down, crossed

OPTION	PIN CONFIGURATION
T-NUS	Pin 1 to Pin N
T-NDS	Pin 1 to Pin 1
T-NUX	Pin 1 and Pin N-1
T-NDX	Pin 1 to Pin 2
D-NUS	Pin 1 to Pin 2
D-NDS	Pin 1 and Pin N-1
D-NUX	Pin 1 and Pin 1
D-NDX	Pin 1 to Pin N



**Notes:**  
For wiring option and pin position location information, refer to drawings on web.  
Teflon® cable is intended for crimp only. Contact Samtec for solderable cable applications.  
Some lengths, styles and options are non-standard, non-returnable.

Due to technical progress, all designs, specifications and components are subject to change without notice.

[WWW.SAMTEC.COM](http://WWW.SAMTEC.COM)

All parts within this catalog are built to Samtec's specifications. Customer specific requirements must be approved by Samtec and identified in a Samtec customer-specific drawing to apply.