

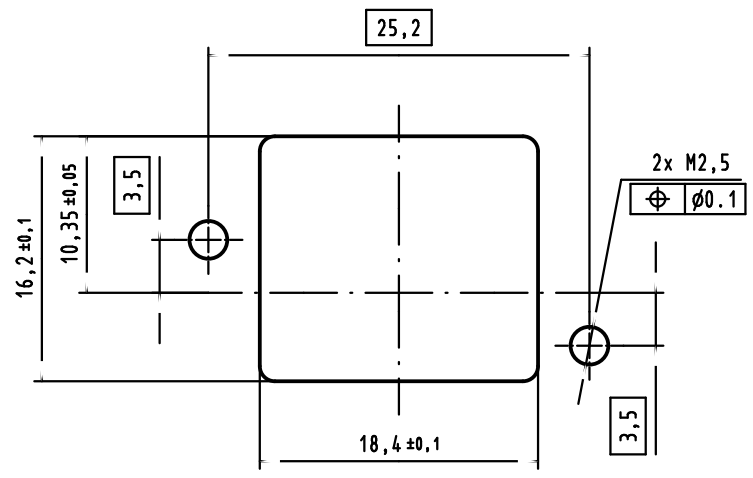
1 2 3 4 5 6

A

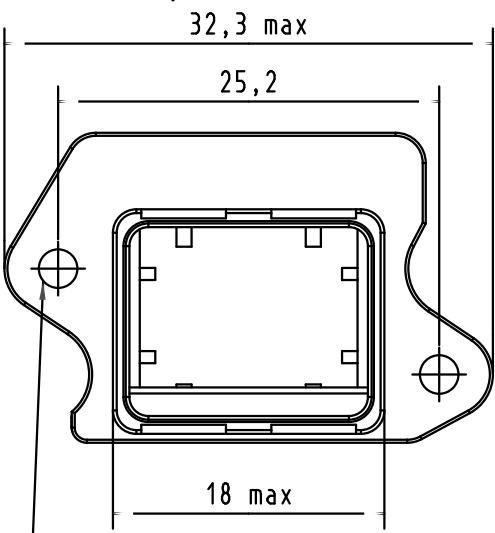
B

C

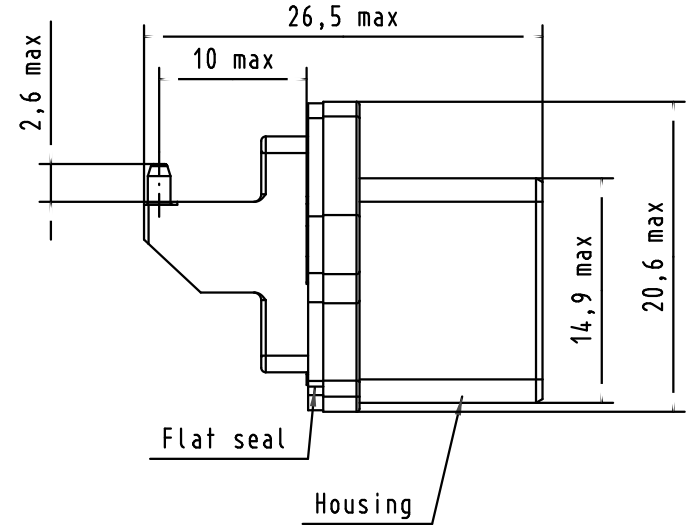
D



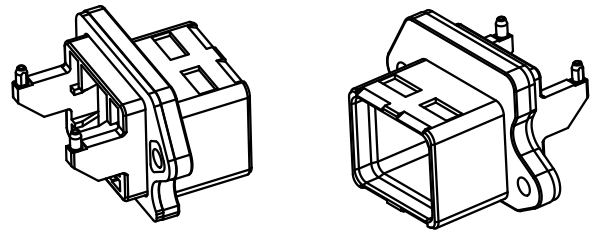
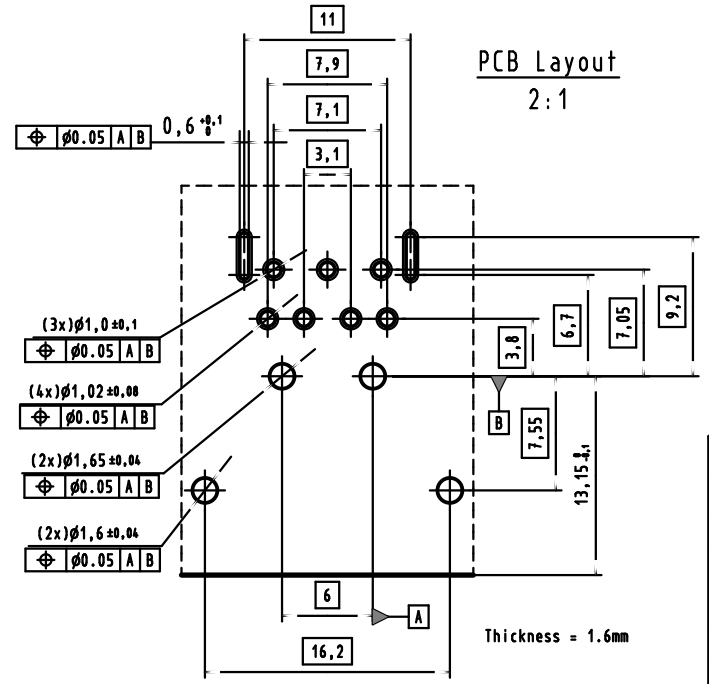
Panel Cutting
2:1



2 holes for M2.5 screws
acc. to DIN 912 or ISO 4762
with M2.5 washers acc. to
EN ISO 7092



PCB Layout
2:1



Connector pitch on pannel:
Axis X = 27 mm
Axis Y = 21 mm

				Dot.	Name	<p>All Dim. in mm Orig. Size DIN A4</p>	RJ industrial - Hybrid Push-Pull	Maßstab/ Scale	
				Detail.	13Nov2008		ED	Angled receptacle Housing	2:1
				Insp.					
				Stand.					
35411	13Nov2008	ED	HARTING EURL F-95972 Paris				TB 09 45 545 1325	Blatt/ Page	
Mod.	Dot.	Name					Sub.	1 1	