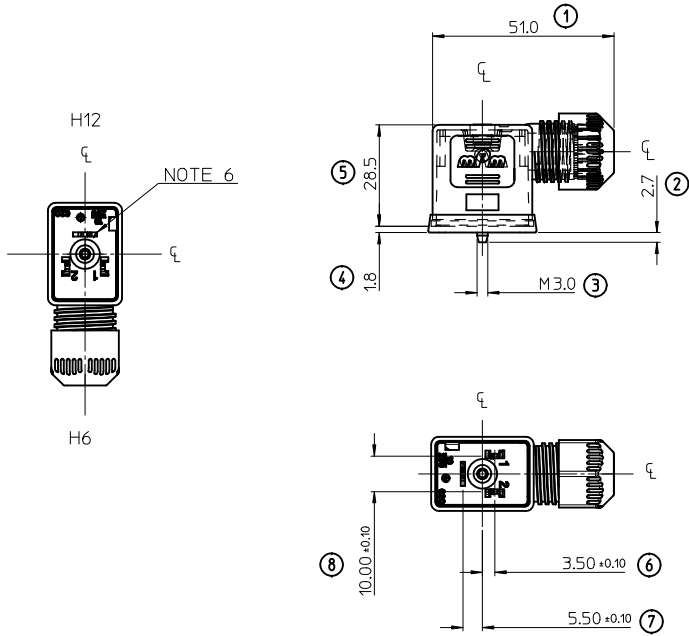
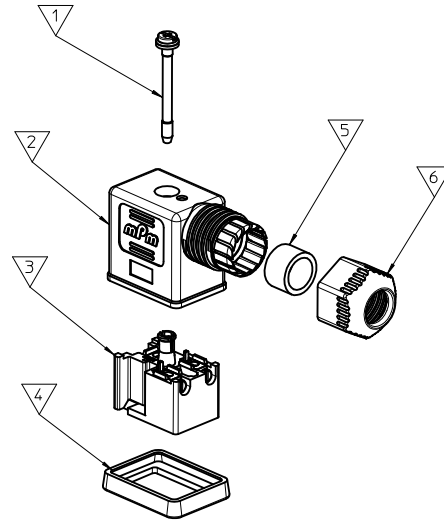


PART NO.	MPM NO.	DESCRIPTION
1212030001	C92200N0R	TYPE B ISO BLACK, NBR GASKET
1212030002	C92200N0S	TYPE B ISO BLACK, SILICONE GASKET
1212030003	C92200G0R	TYPE B ISO GRAY, NBR GASKET
1212030004	C92200G0S	TYPE B ISO GRAY, SILICONE GASKET
1212030005	C92200T0R	TYPE B ISO TRANSPARENT, NBR GASKET
1212030006	C92200T0S	TYPE B ISO TRANSPARENT, SILICONE GASKET
1212030007	C92200N0RCN	TYPE B ISO BLACK, NBR GASKET
1212030008	C92200W0R	TYPE B ISO BLACK V0, NBR GASKET
1212030009	C92200N2RSN	TYPE B ISO BLACK, NBR GASKET, H12, BULK



ITEM	DESCRIPTION
1	3mm M3 SCREW WITH GASKET
2	TYPE B COVER
3	TYPE B ISO INSERT
4	TYPE B GASKET
5	GROMMET
6	EXTERNAL NUT



C92200NOR**

SERIES _____
 C92= EXTERNAL THREAD FORM B ISO
 POLES _____
 2= 2 POLE & 3= 3 POLE
 THREAD _____
 00 = EXTERNAL THREAD
 MATERIAL AND HOUSING COLOR _____
 G= PA6 GRAY, N= PA6 BLACK, W= PA6 BLACK V0, T= TRANSPARENT
 GROUND POSITION _____
 0= UNMOUNTED, 2= H12, 3=H3, 6 =H6 & 9= H9
 SCREW AND GASKET _____
 R= INTEGRATED NBR GASKET AND IP67 SCREW
 S= INTEGRATED SILICON GASKET AND IP67 SCREW
 NON STANDARD PACKAGING _____
 CN= BULK PACK UN-MOUNTED
 SN= BULK PACK MOUNTED

NOTES:

- FOR SPECIFIC PART NUMBERS PLEASE CONTACT SALES OR CONSULT THE INTELLIGENT PART NUMBERS IN THE TABLE ATTACHED
- PACKAGING SPECIFICATION: PLEASE SEE PK-121201-001
- PRODUCT SPECIFICATION: PLEASE SEE PS-121201-001
- CABLE SIZES 4 - 9 mm DIAMETER
- TIGHTENING TORQUES: SEE PS-121201-001
- GROUND POSITION SHOWN H12

LAST INSPECTION NUMBER 8

ADDED P/N'S EC NO: WEU2011-0383 DRAWN: MAHER.WEU 2011/02/02 CHKD: APPR: EFOLAN 2011/03/04	QUALITY SYMBOLS ▽=0 ▽=0	GENERAL TOLERANCES (UNLESS SPECIFIED)		DIMENSION STYLE MM ONLY		SCALE 1:1	DESIGN UNITS METRIC	THIRD ANGLE PROJECTION
		4 PLACES ± --- ± ---		DRAWN BY D MAHER	DATE 2009/3/24	TITLE EXTERNAL THREAD C92 SERIES 121203		
		3 PLACES ± --- ± ---		CHECKED BY S MCGREEVY	DATE 2009/3/24	MOLEX INCORPORATED		
		2 PLACES ± 0.10 ± ---		APPROVED BY EFOLAN	DATE 2010/05/06	DOCUMENT NO. SD-121203-001		
		1 PLACE ± 0.20 ± ---		MATERIAL NO. SEE TABLE		SHEET NO. 1 OF 1		
		ANGULAR ± 2 °		THIS DRAWING CONTAINS INFORMATION THAT IS PROPRIETARY TO MOLEX INCORPORATED AND SHOULD NOT BE USED WITHOUT WRITTEN PERMISSION				
		DRAFT WHERE APPLICABLE MUST REMAIN WITHIN DIMENSIONS						