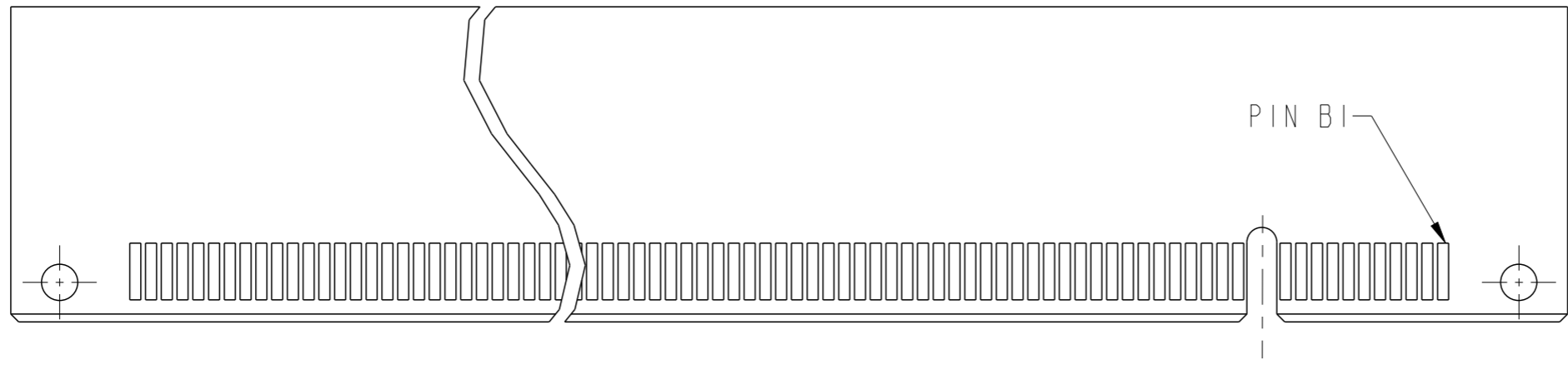
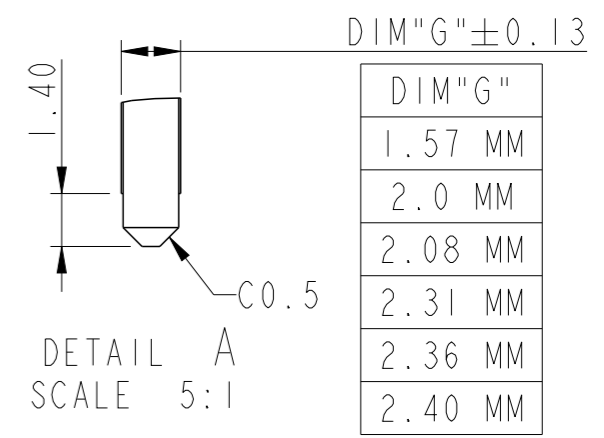


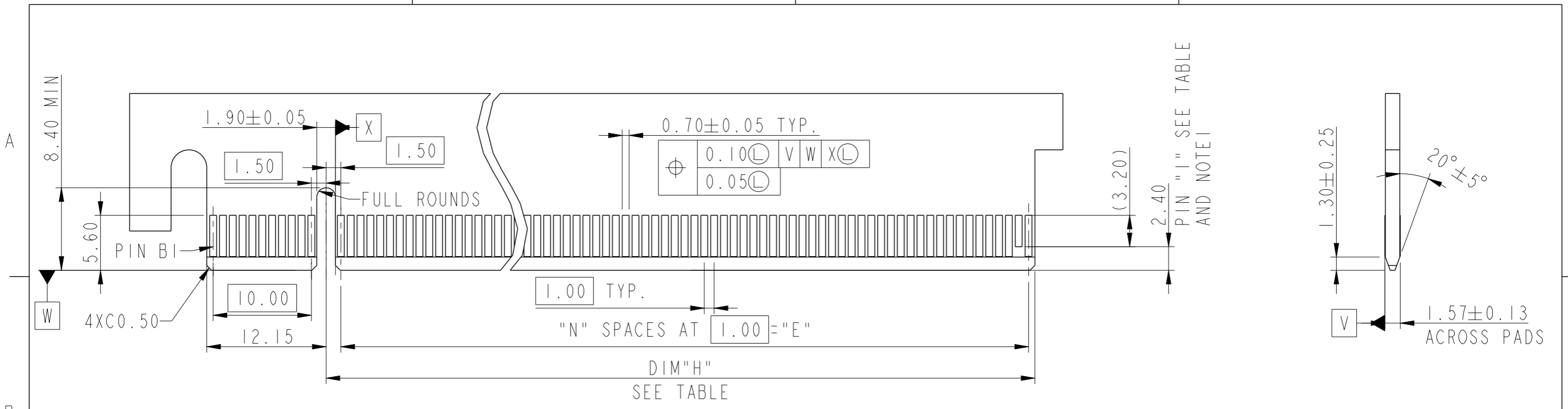
SEE DETAIL A



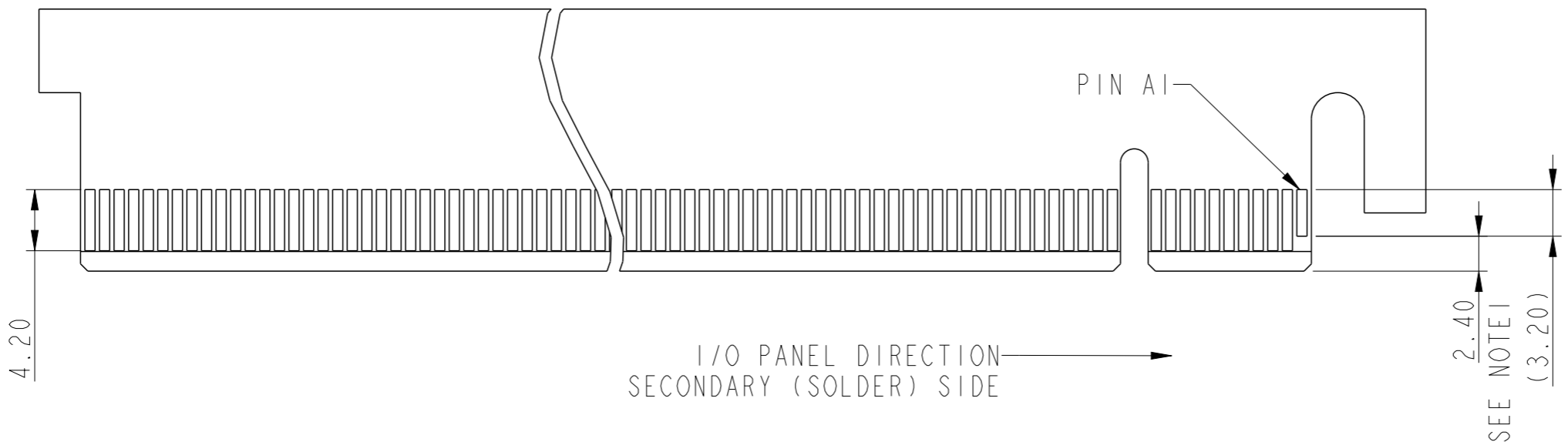
RECOMMENDED PCB LAYOUT

POSITION	N	DIM "F"
36	6	12.30
64	20	26.30
98	37	43.30
164	70	76.30

spec ref	dr	Jeny Ren	2016/06/20	projection	MM	size	A3	scale	2:1
tolerance std	eng	Jeny Ren	2016/12/09			ecn no	-	rel level	Released
ASME Y14.5	chr	-	-						
TOLERANCES UNLESS OTHERWISE SPECIFIED surface <input checked="" type="checkbox"/> linear ASME Y14.5 <input checked="" type="checkbox"/> angular	appr	Nickor Zuo	2016/12/09	product family	PCI EXPRESS 3.0	dwg no	10140125	rev	A
	0.X	±0.30	Amphenol FCi www.fci.com	STRADDLE MOUNT cat. no.	Product-Customer Drw	sheet 2 of 4			
	0.XX	±0.20							
0.XXX	±0.1								
0°	±2°	PDS: Rev :A		STATUS:Released		Printed: Dec 09, 2016			



1. NO TIE BAR PERMITTED FROM CARD EDGE TO LEADING EDGE OF PAD FOR PINS AI AND PIN "I".
2. CHAMFER EDGES MUST BE FREE OF CUTTING BURRS.
3. TOLERANCE : ± 0.13



spec ref	dr	Jeny Ren	2016/06/20	projection	MM	size	A3	scale	2:1
tolerance std	eng	Jeny Ren	2016/12/09			ecn no	-	rel level	Released
ASME Y14.5	chr	-	-						
TOLERANCES UNLESS OTHERWISE SPECIFIED				product family	PCI EXPRESS 3.0				
surface	linear	0.X	±	Amphenol FCI		dwg no	10140125		
		0.XX	±	www.fci.com		cat. no.	Product-Customer Drw		
		0.XXX	±	PCI EXPRESS 3.0		rev	A		
	angular	0°	±	STRADDLE MOUNT		sheet 3 of 4			
ASME Y14.5									

NOTES:

- MATERIAL:
HOUSING: HIGH PERFORMANCE RESINS, BLACK.
CAP: HIGH PERFORMANCE RESINS, BLACK.
CONTACT: COPPER ALLOY.
- PLATING:
UNDERPLATE: 50 u" MIN NICKEL OVER ALL
SOLDER AREA: 100 u" MIN TIN (LEAD FREE)
MATING AREA: SEE PRODUCT PART NUMBER.
- PRODUCT SPECIFICATION: GS-12-1193
- PACKAGE SPECIFICATION: GS-14-2401.
- PRODUCT MEETS EUROPEAN UNION DIRECTIVES AND OTHER COUNTRY REGULATIONS AS DESCRIBED IN GS-22-008.
- ONLY P/N 10140125-XXXX10XX CAN GO IR REFLOW PROCESS.
- DATE CODE BE PRINTED ON PROPER SURFACE.

PRODUCT PART NUMBER:

10140125- X X X X X X X X

NO. OF POSITION
36:36 POSITIONS
64:64 POSITIONS
98:98 POSITIONS
A4:164 POSITIONS

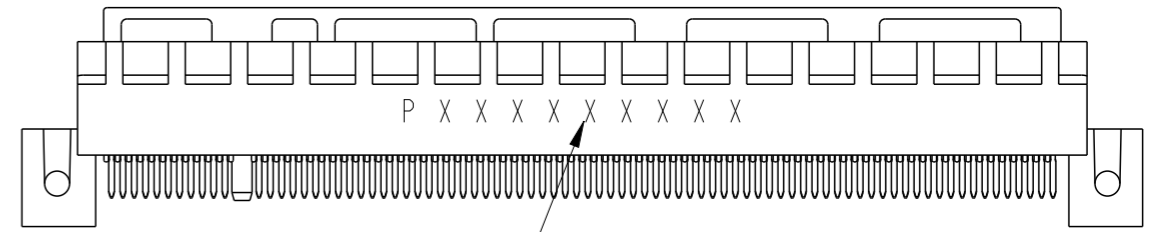
PCB THICKNESS OPTION
0:1.57 MM
1:2.0/2.08 MM
2:2.31/2.36/2.4 MM

LEAD FREE OPTION
LF:LEAD FREE

RESERVE
0

CAP OPTION (SEE NOTE 6)
0:WITHOUT CAP
1:CAP

CONTACT PLATING
0:15 u" Au
1:30 u" Au
2:15 u" GXT



DATA CODE INFORMATION

P X X X X X X X X X

PRODUCTION LINE CODE
DATE CODE THROUGH 01 TO 31
WEEK NUMBER 01 THROUGH 53
YEAR CODE; MOST RIGHT OF DIGIT OF PRODUCTION. (e.g 2007=7)
MANUFACTURE SITE; 2 FOR DONGGUAN SOURCE, P FOR CHINA

Amphenol FCI

© 2016 AFCI

spec ref		dr	Jeny Ren	2016/06/20	projection	MM	size	A3	scale	2:1
tolerance std		eng	Jeny Ren	2016/12/09			ecn no		-	
ASME Y14.5		chr	-	-			rel level		Released	
TOLERANCES UNLESS OTHERWISE SPECIFIED		appr	Nickor Zuo	2016/12/09	product family		PCI EXPRESS 3.0		dwg no	10140125
surface	linear	0.X		±0.30		STRADDLE MOUNT		rev	A	
		0.XX		±0.20						
ASME Y14.5		0.XXX		±0.1		cat. no.			Product-Customer Drw	
angular		0°		±2°	www.fci.com		PDS: Rev :A		STATUS:Released	