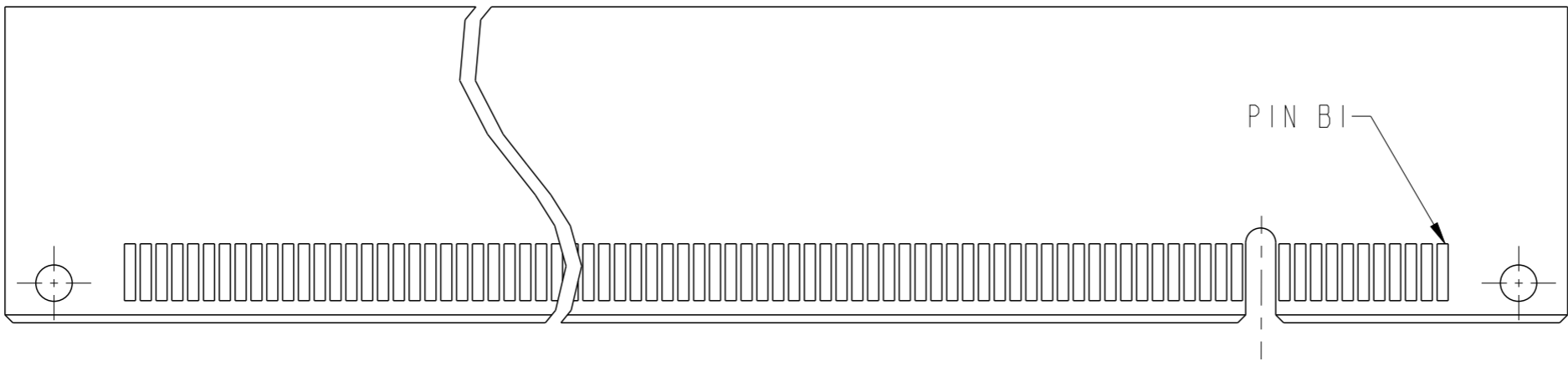
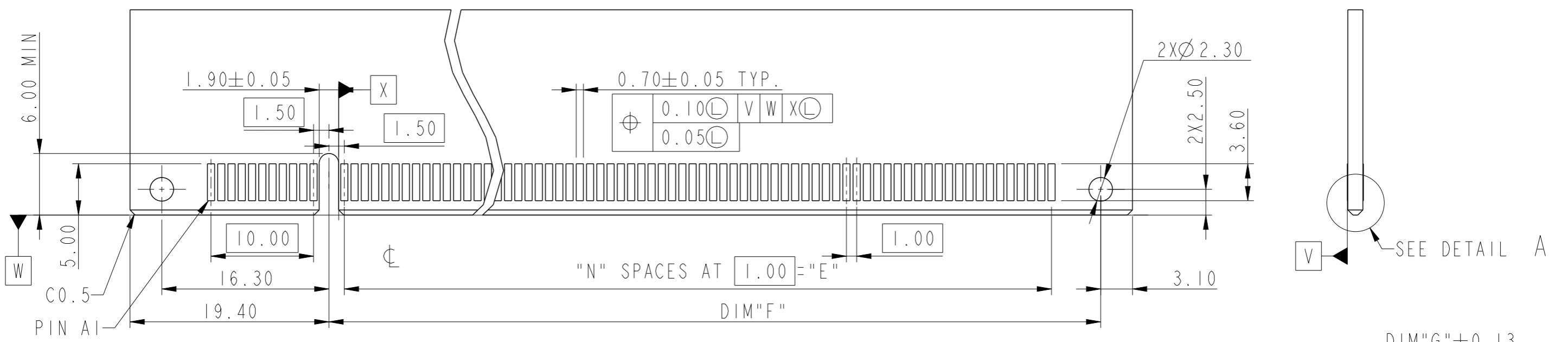


CONNECTOR LINK WIDTH	#POS REF	N	DIM"A"	DIM"B"	DIM"C"	DIM"D"	DIM"E"
X1	36	6	7.65	25.00	12.30	34.8	6.00
X4	64	20	21.65	39.00	26.30	48.8	20.00
X8	98	37	38.65	56.00	43.30	65.8	37.00
X16	164	70	71.65	89.00	76.30	98.8	70.00

spec ref	dr	Jeny Ren	2016/06/20	projection	MM	size	A3	scale	2:1
tolerance std	eng	Jeny Ren	2016/12/09			ecn no	-	rel level	Released
ASME Y14.5	chr	-	2016/12/09						
surface	linear	0.X	±0.30	<b>Amphenol FCI</b>		PCI EXPRESS 3.0	dwg no	10140125	rev
ASME Y14.5	angular	0°	±2°	<b>www.fci.com</b>		STRADDLE MOUNT			



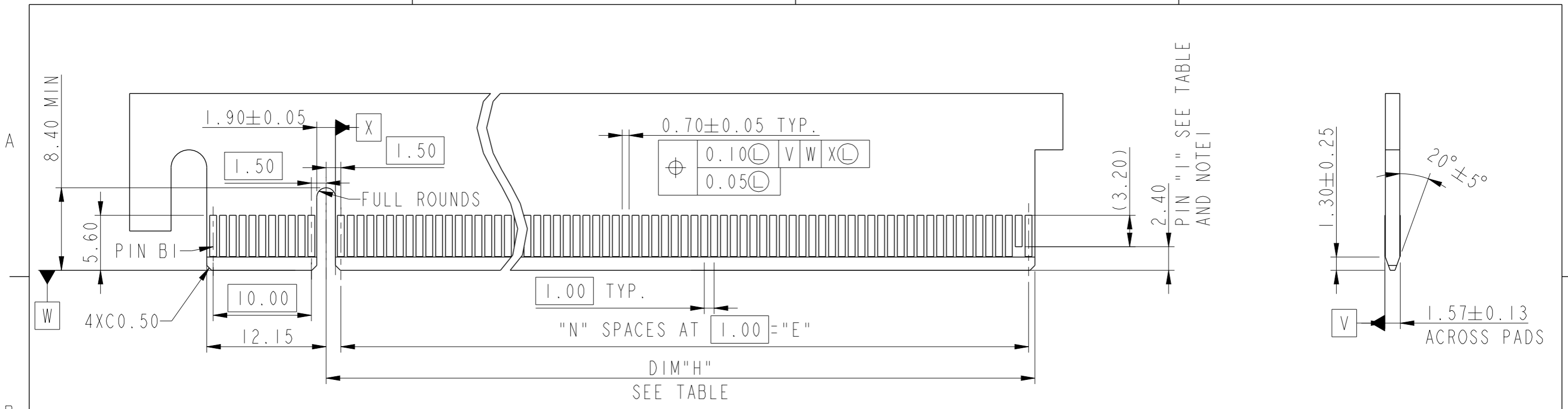
RECOMMENDED PCB LAYOUT

DETAIL A  
SCALE 5:1

DIM "G"
1.57 MM
2.0 MM
2.08 MM
2.31 MM
2.36 MM
2.40 MM

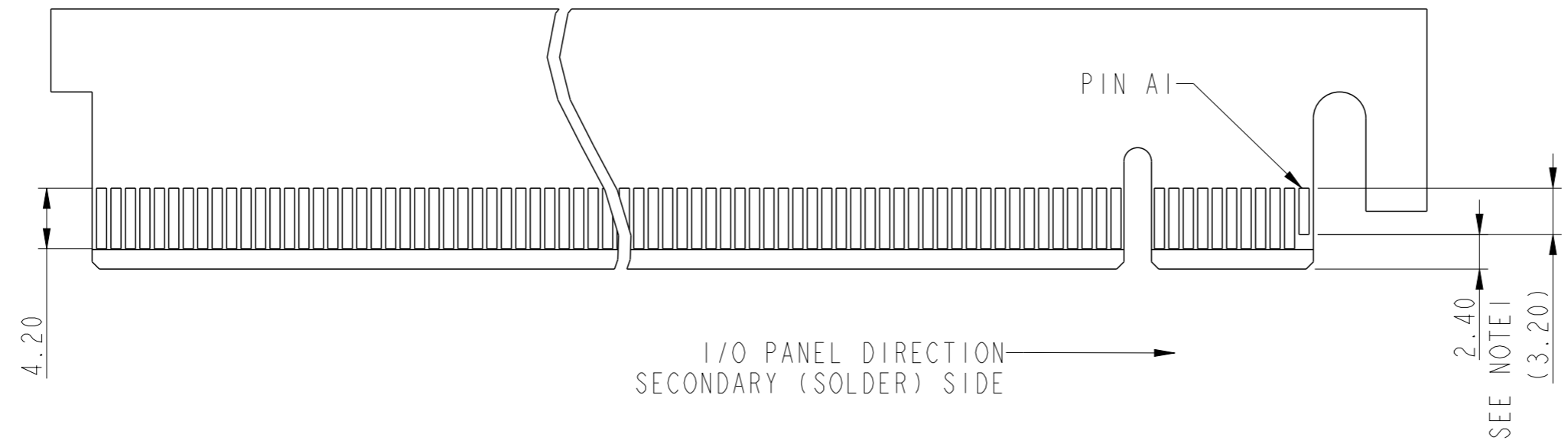
POSITION	N	DIM "F"
36	6	12.30
64	20	26.30
98	37	43.30
164	70	76.30

spec ref	dr	Jeny Ren	2016/06/20	projection	MM	size	A3	scale	2:1
tolerance std	eng	Jeny Ren	2016/12/09			ecn no	-	rel level	Released
ASME Y14.5	chr	-	-						
surface ASME Y14.5	TOLERANCES UNLESS OTHERWISE SPECIFIED	linear	0.X	±0.30	Amphenol FCi www.fci.com	PCI EXPRESS 3.0 STRADDLE MOUNT	dwg no 10140125	rev A	
			0.XX	±0.20					
			0.XXX	±0.1					
	angular	0°	±2°	cat. no.	Product-Customer Drw	sheet 2 of 4			



1. NO TIE BAR PERMITTED FROM CARD EDGE TO LEADING EDGE OF PAD FOR PINS AI AND PIN "I".
2. CHAMFER EDGES MUST BE FREE OF CUTTING BURRS.
3. TOLERANCE : ± 0.13

← I/O PANEL DIRECTION  
PRIMARY (COMPONENT) SIDE



POSITION	N	DIM "H"	PIN "I" (SEE NOTE I)
36	6	8.15	B17
64	20	22.15	B31
98	37	39.15	B48
164	70	72.15	B81

spec ref	dr	Jeny Ren	2016/06/20	projection	MM	size	A3	scale	2:1
tolerance std	eng	Jeny Ren	2016/12/09			ecn no	-	rel level	Released
ASME Y14.5	chr	-	-						
surface	linear	0.X	±		PCI EXPRESS 3.0 STRADDLE MOUNT	dwg no	10140125	rev	A
		0.XX	±						
ASME Y14.5	angular	0°	±	www.fci.com	cat. no.	Product-Customer Drw	sheet 3 of 4		

NOTES:

- MATERIAL:  
HOUSING: HIGH PERFORMANCE RESINS, BLACK.  
CAP: HIGH PERFORMANCE RESINS, BLACK.  
CONTACT: COPPER ALLOY.
- PLATING:  
UNDERPLATE: 50 u" MIN NICKEL OVER ALL  
SOLDER AREA: 100 u" MIN TIN (LEAD FREE)  
MATING AREA: SEE PRODUCT PART NUMBER.
- PRODUCT SPECIFICATION: GS-12-1193
- PACKAGE SPECIFICATION: GS-14-2401.
- PRODUCT MEETS EUROPEAN UNION DIRECTIVES AND OTHER COUNTRY REGULATIONS AS DESCRIBED IN GS-22-008.
- ONLY P/N 10140125-XXXX10XX CAN GO IR REFLOW PROCESS.
- DATE CODE BE PRINTED ON PROPER SURFACE.

PRODUCT PART NUMBER:

10140125- X X X X X X X X

NO. OF POSITION  
36:36 POSITIONS  
64:64 POSITIONS  
98:98 POSITIONS  
A4:164 POSITIONS

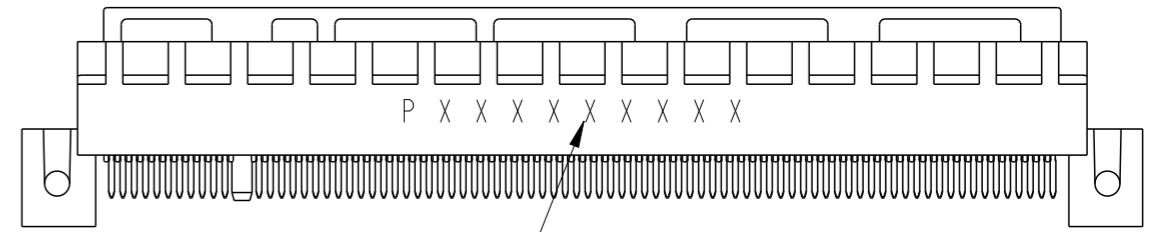
PCB THICKNESS OPTION  
0:1.57 MM  
1:2.0/2.08 MM  
2:2.31/2.36/2.4 MM

LEAD FREE OPTION  
LF:LEAD FREE

RESERVE  
0

CAP OPTION (SEE NOTE 6)  
0:WITHOUT CAP  
1:CAP

CONTACT PLATING  
0:15 u" Au  
1:30 u" Au  
2:15 u" GXT



DATA CODE INFORMATION

P X X X X X X X X X

PRODUCTION LINE CODE  
DATE CODE THROUGH 01 TO 31  
WEEK NUMBER 01 THROUGH 53  
YEAR CODE; MOST RIGHT OF DIGIT OF PRODUCTION. (e.g 2007=7)  
MANUFACTURE SITE; 2 FOR DONGGUAN SOURCE, P FOR CHINA

Amphenol FCI

© 2016 AFCI

spec ref		dr	Jeny Ren	2016/06/20	projection	MM	size	A3	scale	2:1	
tolerance std		eng	Jeny Ren	2016/12/09			ecn no		-		
ASME Y14.5		chr	-	-			rel level		Released		
surface		appr	Nickor Zuo	2016/12/09	product family			PCI EXPRESS 3.0		rev	A
ASME Y14.5	linear	0.X		±0.30		STRADDLE MOUNT			dwg no 10140125	sheet 4 of 4	
		0.XX		±0.20							
angular		0°		±2°		www.fci.com		cat. no.			Product-Customer Drw