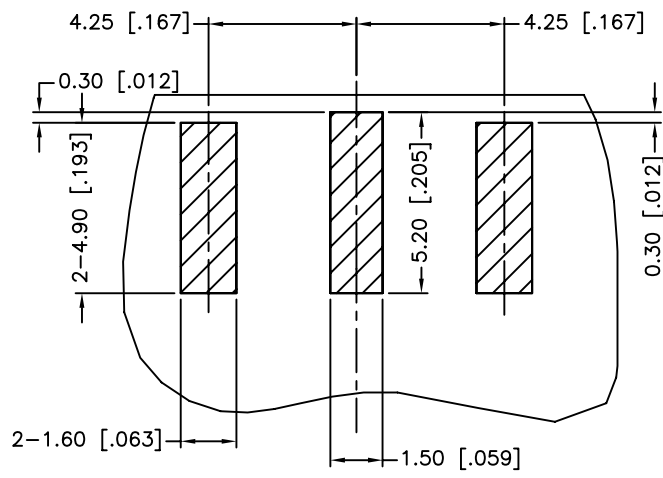
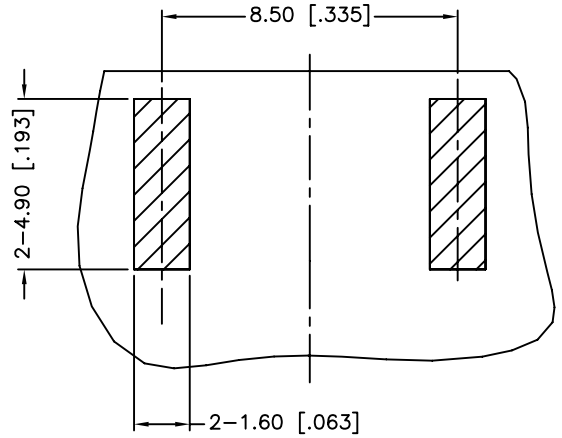


REV.	DATE	ECR NO.	DESCRIPTION
NC	10/26/10	XXXXXX	INITIAL RELEASE

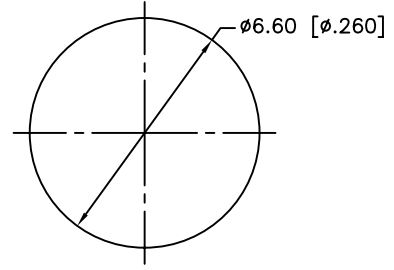


TOP VIEW

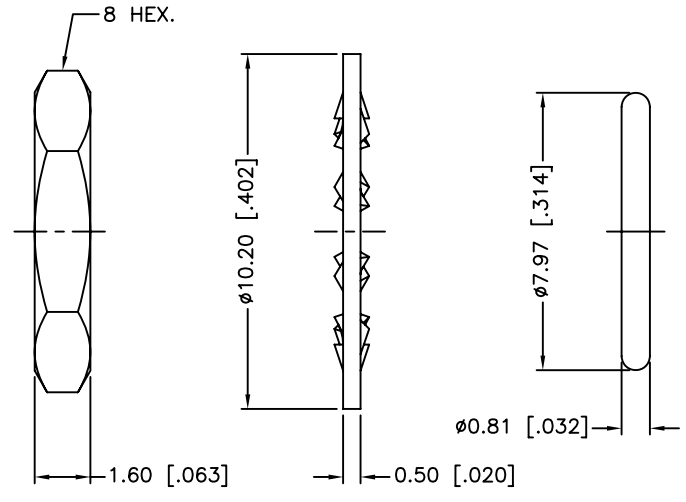
RECOMMENDED PCB LAYOUT



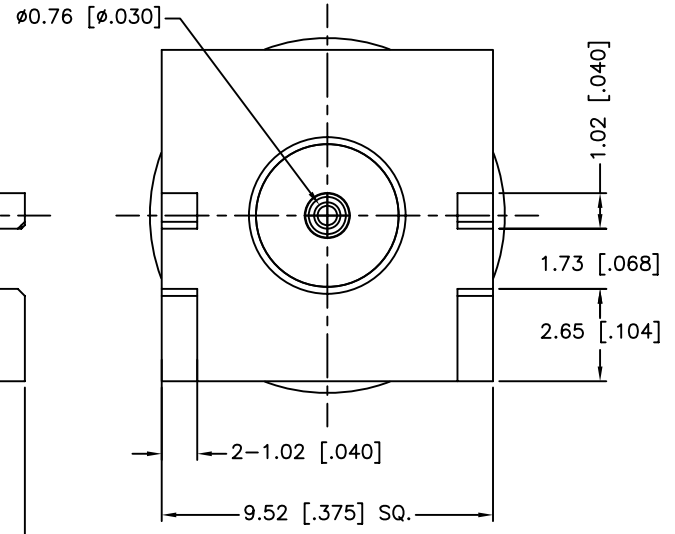
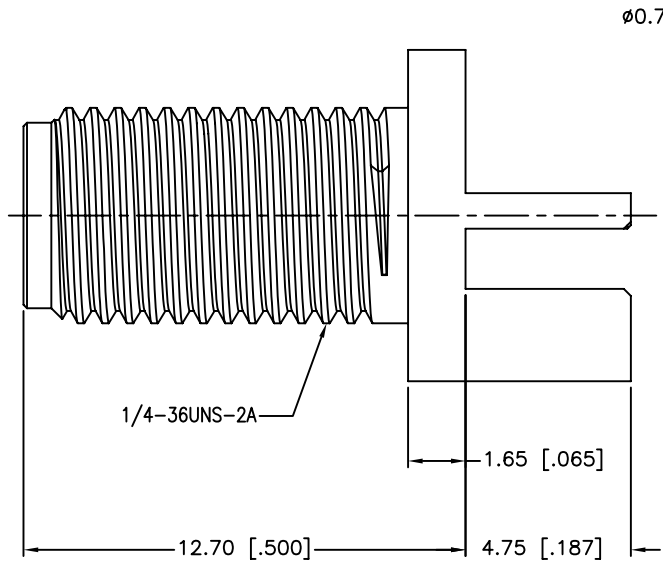
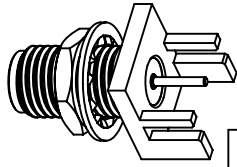
BOTTOM VIEW



RECOMMENDED MOUNTING HOLE



- BOARD THICKNESS=1.57 MM [.062"]
- MAX. PANEL THICKNESS=3..5mm



UNLESS OTHERWISE SPECIFIED DIMENSIONS ARE IN MILLIMETERS. DIMENSIONS IN [] ARE IN INCHES AND FOR CUSTOMER REFERENCE ONLY.

UNLESS OTHERWISE SPECIFIED TOLERANCES FOR MILLIMETERS ARE:
0.5 - 8mm ± 0.20mm
8 - 30mm ± 0.40mm
30 - 120mm ± 0.50mm

UNLESS OTHERWISE SPECIFIED TOLERANCES FOR INCHES ARE:
.020 - .315 ± 0.007"
.315 - 1.180 ± 0.015"
1.180 - 4.724 ± 0.020"

DO NOT SCALE DRAWING

APPROVALS		DATE
DRAWN	M.ZHANG	06/16/11
CHECKED		
ISSUED		
SHEET	1 OF 1	
CAD FILE	C:/CONNEX/132289-14.DWG	

Amphenol Connex

PART DESCRIPTION			
SMA END LAUNCH RECEPT. JACK WITH O-RING (FOR .062" BOARD THICKNESS)			
PART NO.		132289-14	
DWG. NO.	132289-14.DWG	REV.	NC
SIZE	A	SCALE	NA

DESCRIPTION	MATERIAL	FINISH	QTY
6 HEX. NUT	BRASS	GOLD	1
5 LOCK WASHER	BRASS	GOLD	1
4 GASKET	SILICONE	RED	1
3 CONTACT PIN	BER. COPPER	GOLD	1
2 INSULATOR	PTFE	NATURAL	1
1 BODY	BRASS	GOLD	1