

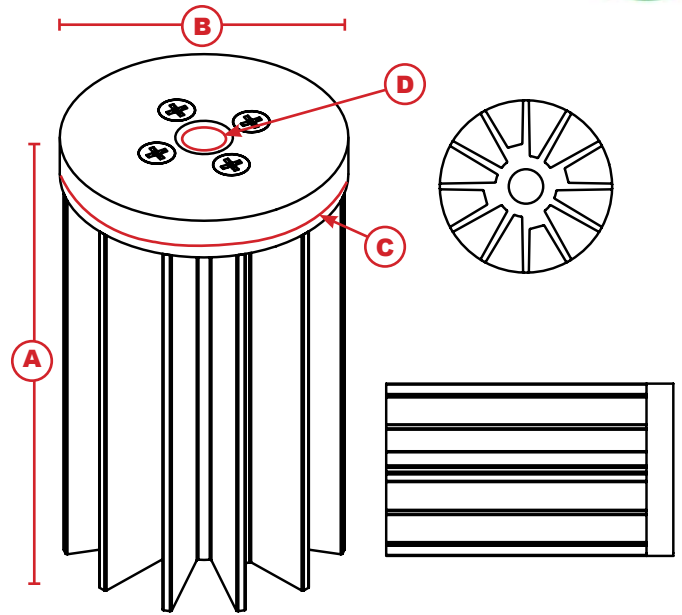


STAR LED HEAT SINK

ATS PART # ATSEU-077D-C1-R0

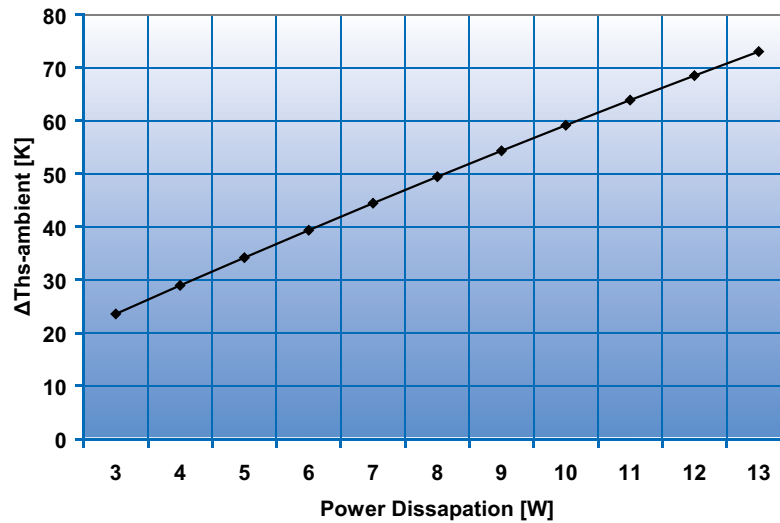
Features & Benefits

- » Designed for high-performance convection cooling of high heat flux LEDs
- » Base includes inner threads for attachment of brackets and other hardware
- » Each Star series heat sink is made from lightweight, anodized aluminum for maximum thermal performance



*Image above is for illustration purposes only.

Thermal Performance



Product Details

| LENGTH (A) | DIAMETER (B) | OUTER THREAD (C) | INNER THREAD (D) | WEIGHT | FINISH |
|------------|--------------|------------------|------------------|--------|--------|
| 45 mm | 45 mm | NONE | M10X1 | 74 G | BLACK |

NOTES:

- 1) Thermal performance data are provided for reference only. Actual performance may vary by application.
- 2) ATS reserves the right to update or change its products without notice to improve the design or performance.
- 3) Contact ATS to learn about custom options available.



ATS ADVANCED
THERMAL
SOLUTIONS, INC.
Innovations in Thermal Management®

For more information, to find a distributor or to place an order, visit www.qats.com or call: 781.769.2800 (North America); +31 (0) 3569 84715 (Europe).