

### Main

Range of product	Altivar Lexium
Product or component type	EMC input filter
Range compatibility	Altivar 32 Altivar Machine ATV320
Product compatibility	ATV32, 380...500 V, 11...15 kW Variable speed drive ATV320...B at 11 kW, 380...500 V, three phase Variable speed drive ATV320...B at 15 kW, 380...500 V, three phase
Product specific application	Radio interference input filter
Mounting location	Below variable speed drive
Phase	Three phase

### Complementary

Line Rated Current	49 A
Thermal losses	27.4 W
Network rated voltage	380...500 V
Tolerance	- 15...10 %
Product weight	10.47 lb(US) (4.75 kg)
Emc filter compatibility	Type 025

### Environment

#### Offer Sustainability

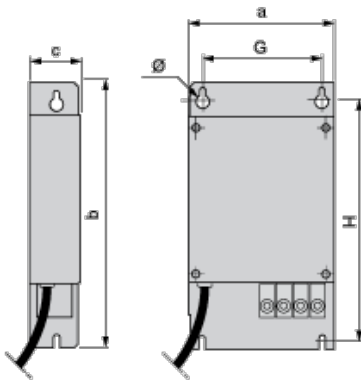
Not Green Premium product	Not Green Premium product
Compliant - since 1025 - Schneider Electric declaration of conformity	Compliant - since 1025 - Schneider Electric declaration of conformity
WARNING: This product can expose you to chemicals including:	WARNING: This product can expose you to chemicals including:
Lead and lead compounds, which is known to the State of California to cause cancer and birth defects or other reproductive harm.	Lead and lead compounds, which is known to the State of California to cause cancer and birth defects or other reproductive harm.
Bisphenol A (BPA), which is known to the State of California to cause birth defects or other reproductive harm.	Bisphenol A (BPA), which is known to the State of California to cause birth defects or other reproductive harm.
For more information go to <a href="http://www.p65warnings.ca.gov">www.p65warnings.ca.gov</a>	For more information go to <a href="http://www.p65warnings.ca.gov">www.p65warnings.ca.gov</a>

#### Contractual warranty

Warranty period	18 months
-----------------	-----------

### Additional EMC Input Filters

The information provided in this documentation contains general descriptions and/or technical characteristics of the performance of the products contained herein. This documentation is not intended as a substitute for and is not to be used for determining suitability or reliability of these products for specific user applications. It is the duty of any such user or integrator to perform the appropriate and complete risk analysis, evaluation and testing of the products with respect to the relevant specific application or use thereof. Neither Schneider Electric Industries SAS nor any of its affiliates or subsidiaries shall be responsible or liable for misuse of the information contained herein.



Dimensions in mm

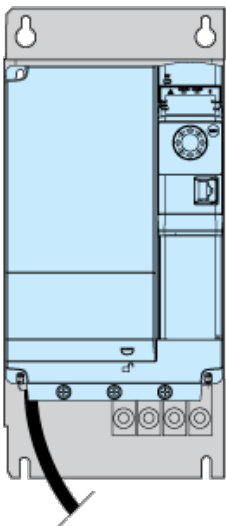
a	b	c	G	H	Ø
245	395	60	205	375	5.5

Dimensions in in.

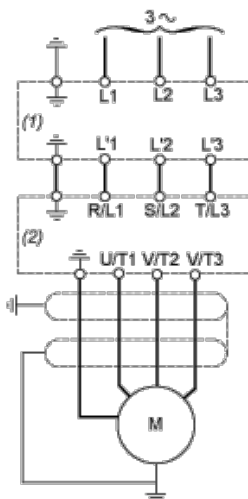
a	b	c	G	H	Ø
9.65	15.55	2.36	8.07	14.76	0.22

## Mounting Recommendations

### Mounting the Filter behind the Drive



## Recommended Schema



- (1) Filter
- (2) Drive