

# 110-Series

## Heavy Action Toggle Switches

The 110-Series is a compactly designed, versatile metal construction toggle switch which is appropriate for a variety of uses. Features include single or double pole options, maintained or momentary construction with termination choices including solder lug end or bottom, wire leads and .250 tab terminals. The quick make/quick break contact mechanism makes the switch suitable for high voltage (125-250 volt) applications. This switch is popular within the Small Appliance, Floor Maintenance, and most low current AC/DC market segments.



**Carling Technologies®**

Innovative Designs. Powerful Solutions.

Innovative Designs. Powerful Solutions.

Carling Technologies, Inc.  
60 Johnson Avenue • Plainville, CT 06062-1177  
Phone: (860) 793-9281 • Fax: (860) 793-9231  
Email: [sales@carlingtech.com](mailto:sales@carlingtech.com) • [www.carlingtech.com](http://www.carlingtech.com)

### Dielectric Strength

UL/CSA: 1000V - live to dead metal parts & opposite polarity

### Electrical Life

25,000 cycles

### Mechanical Life

100,000 cycles

### Operating Temperature

0°F to 150°F (-17.8°C to +65.6°C)

**110-S** - **73**

<sup>1</sup>  
Base Part Number

<sup>2</sup>  
Actuator Style

**1 BASE PART NUMBER: SERIES/CIRCUITRY<sup>1</sup>/RATING/TERMINATION<sup>2</sup>**  
**3A 250V, 6A 125V, AC/DC**

	Solder Lug (end)	Solder Lug (bottom)	Screw Terminals	Wire Leads
<b>Single Pole</b>				
On-None-Off	<b>110</b>	<b>110-B</b>	<b>110-S</b>	<b>111-16</b>
Off-None-(On)	<b>110-M-NO</b>	<b>110-BM-NO</b>	<b>110-SM-NO</b>	<b>111-16M-NO</b>
On-None-(Off)	<b>110-M-NC</b>	<b>110-BM-NC</b>	<b>110-SM-NC</b>	<b>111-16M-NC</b>
<b>Double Pole</b>				
On-None-Off	<b>2BK62</b>	-	-	<b>2BK65</b>
On-None-On	<b>2BL62</b>	-	-	<b>2BL65</b>

**1A 250V, 3A 125V, AC/DC**

<b>Single Pole</b>				
On-None-On	<b>112</b>	-	-	<b>112-A</b>
On-None-(On)	<b>112-M</b>	-	-	<b>112-M-A</b>
<b>Double Pole</b>				
On-None-Off	<b>216</b>	-	-	<b>216A</b>
Off-None-(On)	<b>216-M-NO</b>	-	-	<b>216A-M-ANO</b>
On-None-(Off)	<b>216-M-NC</b>	-	-	<b>216A-M-ANC</b>
On-None-On	<b>316</b>	<b>316-B</b>	-	-
On-None-(On)	<b>316-M</b>	<b>316-BM</b>	-	-
<b>2 circuit</b>				
1 On - 1 Off	<b>516</b>	<b>516-B</b>	-	<b>516-A</b>
1 (On) - 1 (Off)	<b>516-M</b>	<b>516-BM</b>	-	<b>516-AM</b>

**6A 120VAC**

<b>Single Pole</b>			
On-None-On	<b>2BB62</b>	-	<b>2BB65</b>

**5A 250V, 10A 125V, 1/4HP, 125V**

<b>Single Pole</b>			
On-None-Off	<b>160H</b>	<b>160H-B</b>	<b>160H-S</b> <b>160H-A</b>

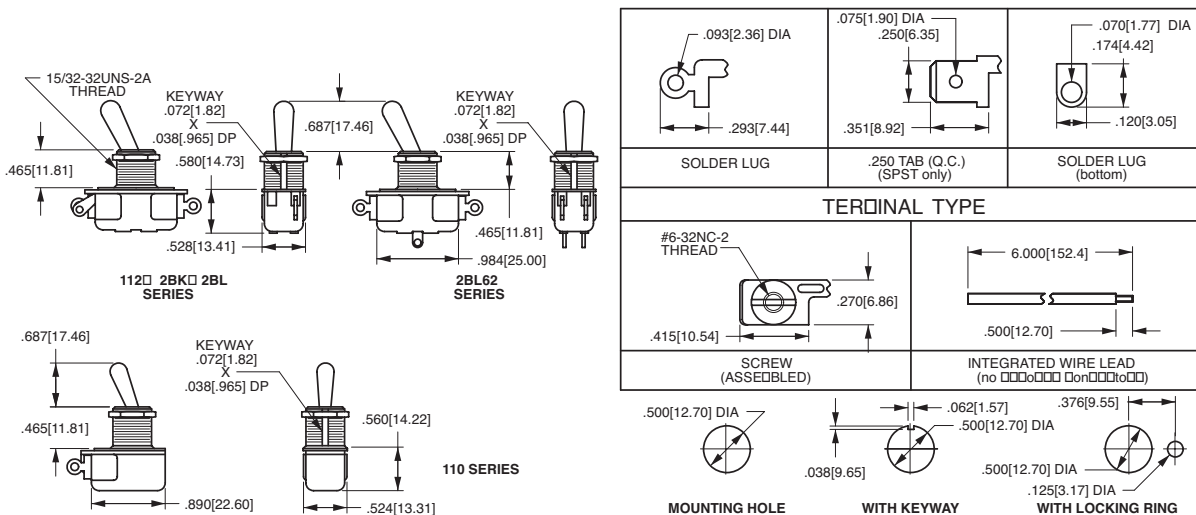
**2 ACTUATOR STYLE**

<b>BAT STYLE TOGGLE</b>			
unsealed	sealed	toggle length	bushing length
<b>52</b>	<b>57</b>	0.375	0.343
<b>63</b>	<b>68</b>	0.500	0.465
<b>73</b>	<b>78</b>	0.687	0.46555

<b>BALL STYLE TOGGLE</b>			
unsealed	sealed	toggle length	bushing length
<b>21</b>	-	0.375	0.250
<b>22</b>	-	0.375	0.343
<b>25</b>	-	0.375	0.875

Notes:

- Momentary function only available with 73 toggles.
  - 160H and 110-Series are available with .250 tab terminals. Add suffix /TABS to end of part number. ex. 110-73/TABS
- ( ) Indicates momentary function.



\*Manufacturer reserves the right to change product specification without prior notice.