



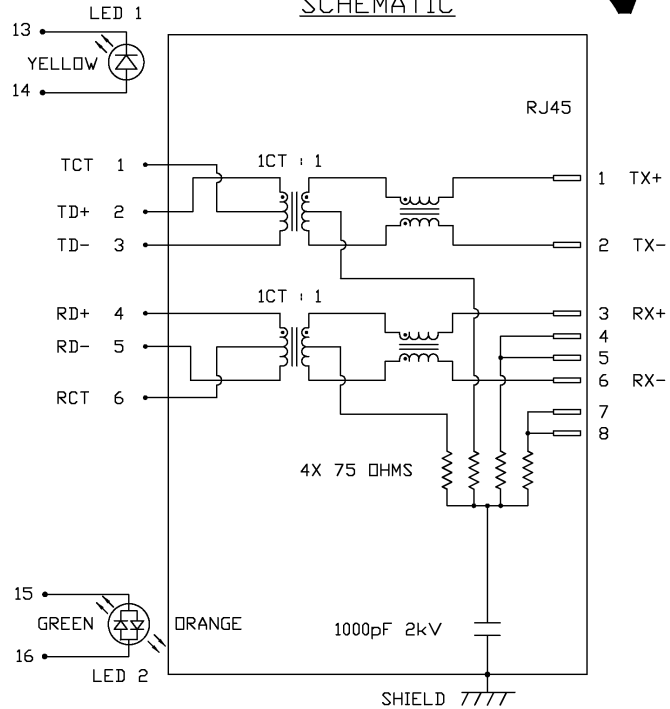
THE INFORMATION CONTAINED HEREIN IS CONSIDERED "PROPRIETARY" TO BEL FUSE INC. AND SHALL NOT BE COPIED, REPRODUCED OR DISCLOSED WITHOUT THE WRITTEN APPROVAL OF BEL FUSE INC.

| LED1 POLARITY | | | LED2 POLARITY | | |
|---------------|--------|--------|---------------|--------|--------|
| PIN 13 | PIN 14 | COLOR | PIN 15 | PIN 16 | COLOR |
| - | + | YELLOW | + | - | ORANGE |
| | | | - | + | GREEN |

ELECTRICAL CHARACTERISTICS @ 25°C

| | |
|--|---|
| URNS RATIO TX RX DCL @ 100kHz/100mVRMS 8mA DC BIAS INS. LOSS 1MHZ TO 100MHZ RET. LOSS (MIN) 1MHZ-30MHZ 30MHZ-60MHZ 60MHZ-80MHZ CROSS TALK (TX - RX) 500kHz-100MHZ CM TO CM REJ 100kHz-100MHZ CM TO DM REJ 100kHz-100MHZ HIPOT (Isolation Voltage): OPERATING TEMPERATURE: LED 1 VF (FORWARD VOLTAGE) λD (DOMINANT WAVELENGTH) LED 2 VF (FORWARD VOLTAGE) λD (DOMINANT WAVELENGTH) | 1CT : 1 1CT : 1 350μH MIN. -1.0 dB MAX -18 dB -18+20LOG(F/30MHZ) dB -12 dB -35 dB MIN -30 dB MIN -40 dB MIN 1500 Vrms or 2250 VDC -40°C TO 85°C IF=20mA YELLOW 2.1V TYP. IF=20mA YELLOW 590nm TYP. IF=20mA GREEN 2.2V TYP. ORANGE 2.0V TYP. IF=20mA GREEN 565nm TYP. ORANGE 610nm TYP. |
|--|---|

SCHEMATIC



USB ELECTRICAL:

| | |
|--------------------------|------------------|
| INSULATION RESISTANCE: | 1000 MEGAΩ (MIN) |
| CONTACT RESISTANCE: | 25 MILLI Ω (MAX) |
| DIELECTRIC WITHSTANDING: | 750 VAC |

| | | | | | |
|------------------------|------------------|--|--|---------------|------------------------------|
| ORIGINATED BY CHUNG | DATE 06-05-05 | TITLE MagJack® Combo (single USB, Ext. Temp. MDIX) | PART NO. / DRAWING NO. 08211X1T36-F | STANDARD DIM. | [] METRIC DIM. AS REFERENCE |
| | | | | TOL. IN INCH | UNIT : INCH [mm] |
| DRAWN BY DE | DATE 06-05-05 | FILE NAME 0821-1X1T-36-F | 08211X1T36-FA.DWG | .X | SCALE : N/A |
| | | | | .XX | SIZE : A4 |
| | | | | .XXX | PAGE : 2 |

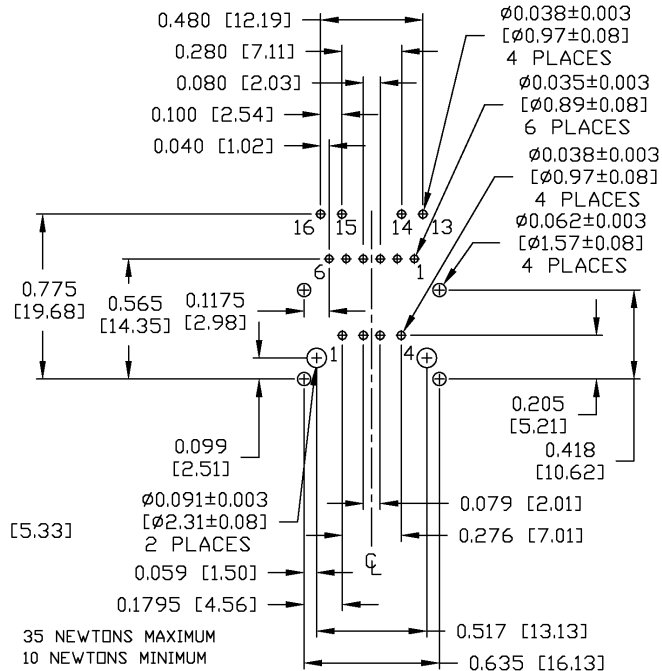
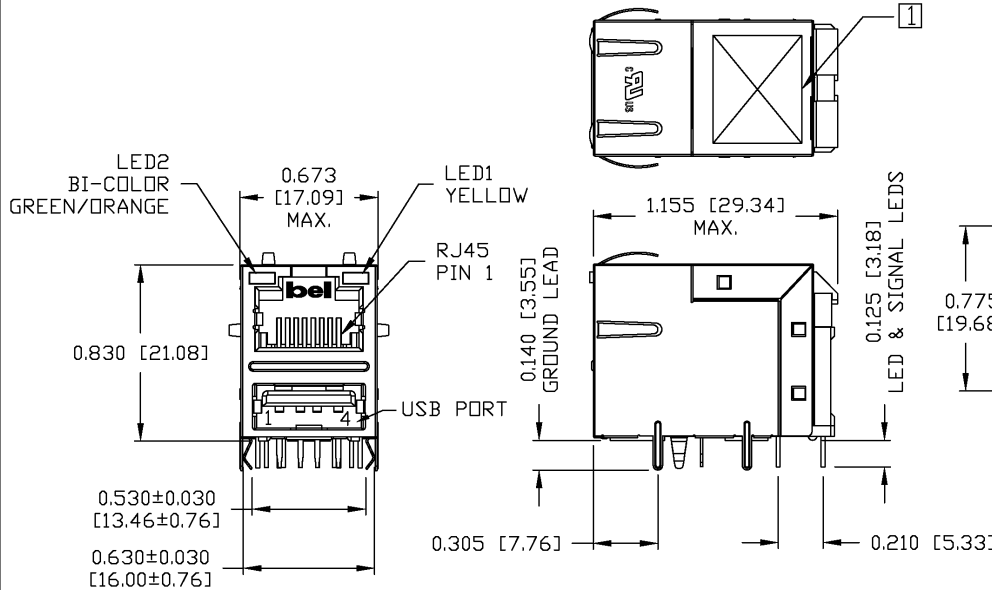


THE INFORMATION CONTAINED HEREIN IS CONSIDERED "PROPRIETARY" TO BEL FUSE INC. AND SHALL NOT BE COPIED, REPRODUCED OR DISCLOSED WITHOUT THE WRITTEN APPROVAL OF BEL FUSE INC.



MECHANICAL SPECIFICATION

RECOMMENDED PCB FOOTPRINT COMPONENT SIDE VIEW



RJ45 MECHCNICAL:

PLASTIC HOUSING: THERMOPLASTIC PBT
 FLAMMABILITY RATING UL 94V-0
 CONTACT PLATING: 30 MICRO-INCH HARD GOLD PLATING
 PINS: TIN-COATED COPPER WIRE, DIA 0.018 INCH.
 METAL SHIELD: TIN OR NICKEL PLATED ON COPPER ALLDY.
 (ALL NICKEL PLATED GROUND LEADS ARE SOLDER DIPPED)

USB MECHANICAL:

MATING FORCE: 35 NEWTONS MAXIMUM
 UNMATING FORCE: 10 NEWTONS MINIMUM
 CONTACT: PROSPER BRONZE
 30 MICRO-INCH MIN GOLD PLATING ON CONTACT AREA AND LEAD-FREE TIN ON SOLDER TAIL.
 MARK PART WITH MFG. LOGO, MFG. NAME, PART NUMBER, AND DATE CODE.

RoHS COMPLIANCE, PER EU DIRECTIVE 2002/95/EC.

UL US UL RECOGNIZED - FILE #E196366 AND E169987.

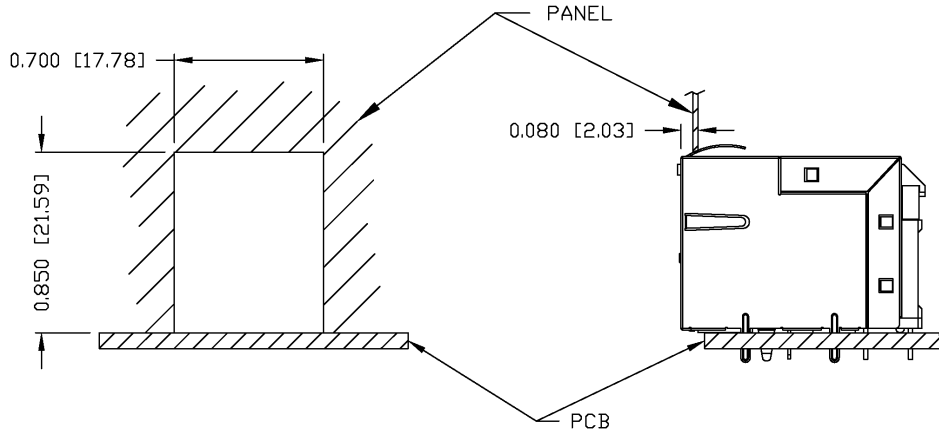
| | | | | | |
|-----------------------------|------------------|--|--|-------------------------------|---|
| ORIGINATED BY BILL/KEUNG | DATE 06-05-05 | TITLE MagJack® Combo (single USB, Ext. Temp. MDIX) | PART NO. / DRAWING NO. 08211X1T36-F | STANDARD DIM. TOL. IN INCH | [] METRIC DIM. AS REFERENCE |
| | | | | .X .XX .XXX ±0.010 | UNIT : INCH [mm] SCALE : N/A PAGE : 3 |
| DRAWN BY QIN | DATE 06-05-05 | FILE NAME 0821-1X1T-36-F | 08211X1T36-FA.DWG | | REV. : A SIZE : A4 PAGE : 3 |



THE INFORMATION CONTAINED HEREIN IS CONSIDERED "PROPRIETARY" TO BEL FUSE INC. AND SHALL NOT BE COPIED, REPRODUCED OR DISCLOSED WITHOUT THE WRITTEN APPROVAL OF BEL FUSE INC.



SUGGESTED PANEL OPENING



NOTES:

THE DISTANCE OF PANEL INSIDE SURFACE RELATIVE TO FRONT SURFACE OF PART IS ONLY A SUGGESTION. IN CASE THIS DISTANCE IS DIFFERENT, THE REQUIRED PANEL OPENING DIMENSIONS CHANGE ACCORDINGLY.

PACKING INFORMATION

PACKING TRAY : 0200-0148-48 (TOP)

0200-0148-49 (BOTTOM)

PACKING QUANTITY : 60 PCS FINISHED GOODS PER TRAY

8 TRAYS (480 PCS FINISHED GOODS) PER CARTON BOX

NOTE : CARDBOARDS ARE PLACED BETWEEN LAYERS OF PACKING TRAY INSIDE CARTON BOX (INCLUDE THE UPPERMOST AND LOWERMOST TRAY)

| | | | | | |
|-----------------------------|------------------|--|--|---------------|------------------------------|
| ORIGINATED BY BILL/KEUNG | DATE 06-05-05 | TITLE MagJack® Combo (single USB, Ext. Temp. MDIX) | PART NO. / DRAWING NO. 08211X1T36-F | STANDARD DIM. | [] METRIC DIM. AS REFERENCE |
| | | | | TOL. IN INCH | UNIT : INCH [mm] REV. : A |
| DRAWN BY GIN | DATE 06-05-05 | FILE NAME 0821-1X1T-36-F | 08211X1T36-FA.DWG | .X | SCALE : N/A SIZE : A4 |
| | | | | .XX | PAGE : 4 |
| | | | | .XXX ±0.005 | |

