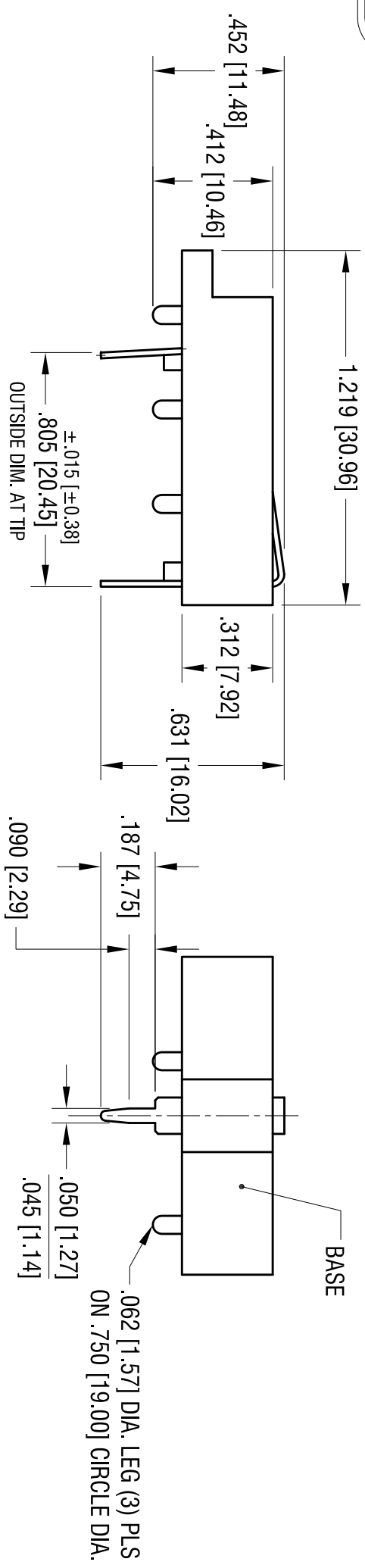
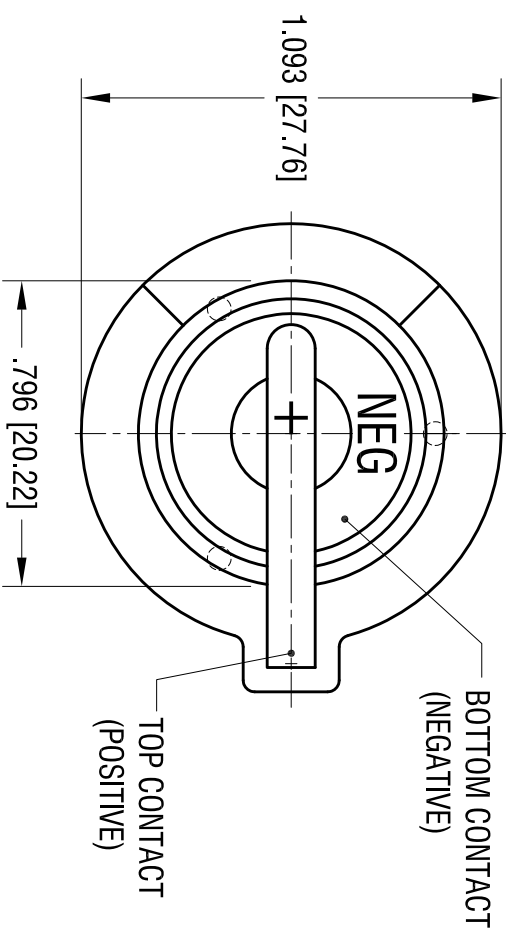
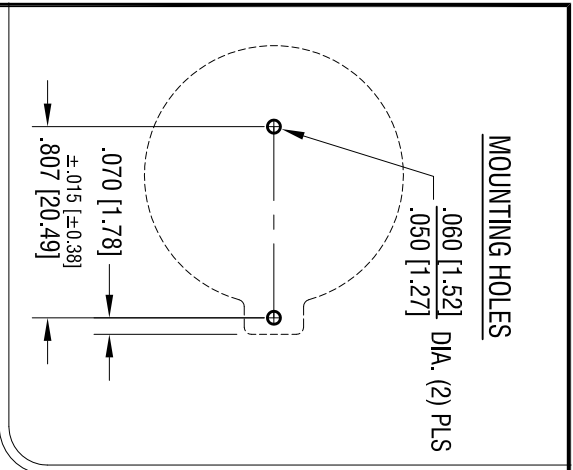
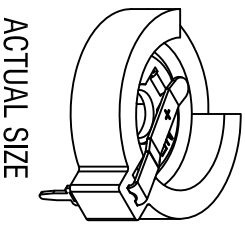


DATE	DESCRIPTION	REV.
9.20.04	CHANGE AS PER ECN 04-116	D
11.02.11	CHANGE AS PER ECN 11-145	E



- NOTES:
1. BASE:
MATE'L - PBT (UL 94V-0), COLOR BLACK
 2. CONTACTS (TOP AND BOTTOM):
MATE'L - .020 [0.50] THK SPRING STEEL
FINISH: TIN NICKEL PLATE



KEYSTONE ELECTRONICS CORP.

www.keystec.com • ASTORIA, N.Y. 11105-2017 • Tel (718) 956-8900

PART NAME: COIN CELL PC BATTERY HOLDER

MATERIAL: AS NOTED

FINISH: AS NOTED

TOLERANCES	INCH	[MM]	CODE	DWG NO.
DECIMAL	± .010	[± 0.25]	C	1026
ANGULAR	± 1°			
UNLESS OTHERWISE SPECIFIED				

DRN BY: BOONE	DATE: 8.15.84
APP'D: LN	SCALE: 2X

THIS DOCUMENT IS THE PROPERTY OF KEYSTONE ELECTRONICS CORP. AND SHALL NOT BE REPRODUCED, DISTRIBUTED OR USED AS A BASIS FOR MANUFACTURE WITHOUT PRIOR WRITTEN PERMISSION FROM KEYSTONE ELECTRONICS CORP.