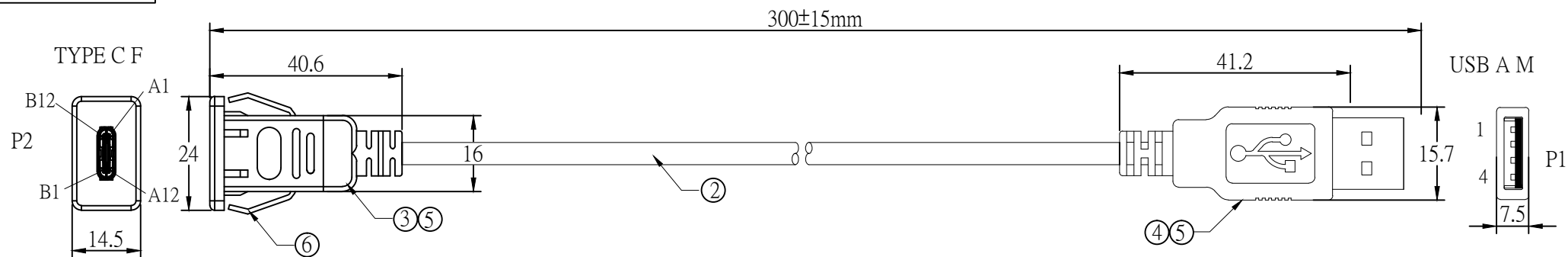
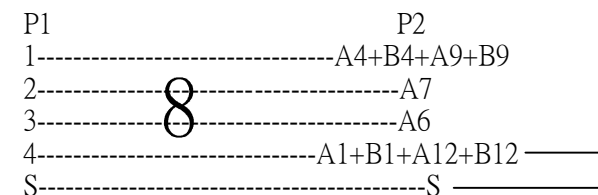


RoHS Compliant



OPEN/SHORT TEST: 100% TEST  
INSULATION: 5M.

PIN ASSIGNMENT



6	ABS BLACK.	10g
5	OVERMOLD BLACK PVC 45P MA-001.	18g
4	USB3.0 A M BLUE INSULATOR SOLDER TYPE.	1PCS
3	USB3.1 C TYPE SOCKET BLACK INSULATOR SOLDER TYPE.	1PCS
2	28AWG*1P+24AWG*2C+EAB(65%) OD:4.5MM L:300mm BLACK PVC JACKET UL2725.	1PCS
1	Description USB-C Snap In	Q'ty

Company	Adafruit	Goods Code	Draw	Date	2018.12.07
ITEM NO.	TYPE C F-USB A M-30cm	Drawing Evidence:	Check	Date	
Goods NO.	C11606-001		Approval	L.Fried	Date
Original NO.	Unit(mm)		Audit	Date	

Premier Cable

D		
C		
B		
VER.	REVISE	Date