

REV	DATE	DESCRIPTION	BY	CHKD
1	08/04	CONVERTED RADIAL DWG TO TYCO ACAD DWG	RF	JM
2	24MAR10	REVISED	RF	JM

1 SHELL: ALUMINUM ALLOY 6061 T651
 GROUND BLOCK RETENTION SCREW, JACKSCREW KEY, CENTER LOCK & RETAINING NUT:
 STAINLESS STEEL PER AISI 316
 INSERT RETENTION CLIP, GROUND CONTACT RETENTION CLIP, GROUNDING CLIP & JACKSCREW SLEEVE:
 COPPER ALLOY PER ASTM B194
 INTERMEDIATE PLATE: COPPER ALLOY PER ASTM B103
 GROUND BLOCK INSULATOR: PEI THERMOPLASTIC PER ASTM D5205
 PROTECTIVE COVER: THERMOPLASTIC ELASTOMER

2 SHELL: ELECTROLESS NICKEL PER SAE AMS-C-26074, CLASS 1.
 GROUNDING CLIP: 1.27µm [50 µin] MIN GOLD PER ASTM B488 OVER 1.25µm [50 µin]
 MIN NICKEL PER SAE AMS-QQ-N-290
 INTERMEDIATE PLATE & GROUNDING SPRING: ELECTROLYTIC NICKEL PER SAE AMS-QQ-N-290

3 DATE CODE - YEAR & WEEK (YY WW)

4 INDEXING POINT FOR POLARIZATION.

5 SHELL CAVITY FOR GPRB SERIES INSERTS WITH KEYING CODE A.

6 SHELL CAVITY FOR GPRB SERIES INSERTS WITH KEYING CODE B.

7 PROTECTIVE COVERS NOT SHOWN FOR CLARITY.

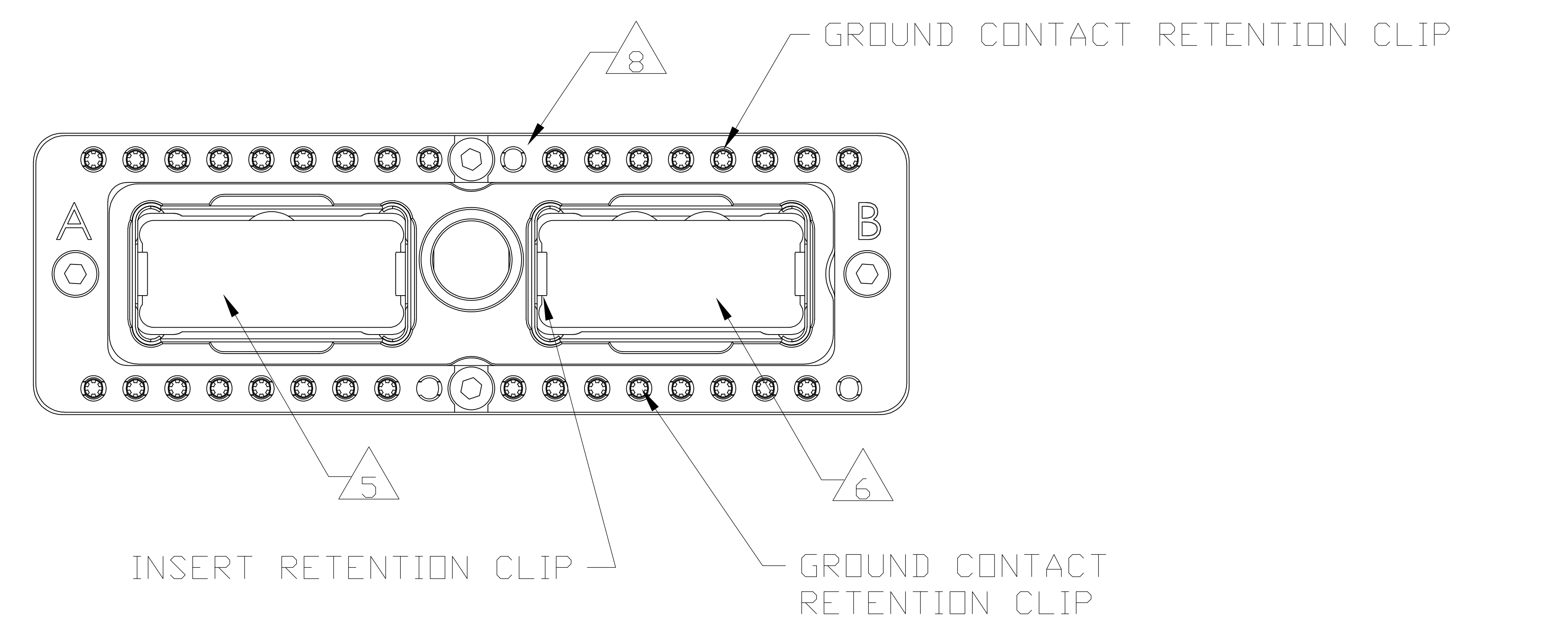
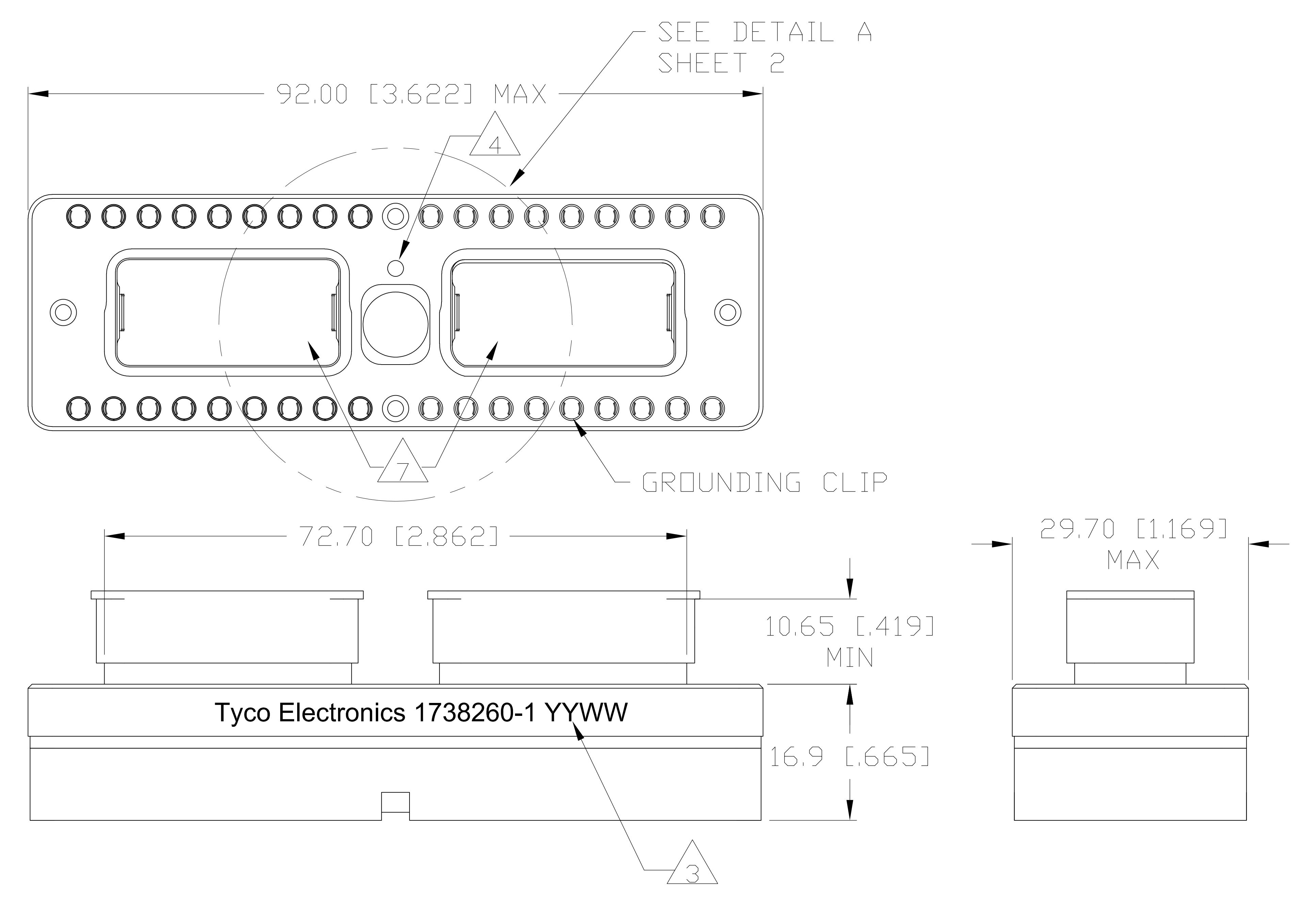
8 36 CAVITIES FOR GROUNDING CONTACTS PER M39029/1-101.
 GROUNDING CONTACTS, TYCO PART NUMBER 2-592404-1, MAY
 BE PURCHASED SEPARATELY.

9 THE JACKSCREW AND RETAINING NUT ARE SHIPPED UNASSEMBLED.
 THE CUSTOMER SHALL APPLY LOCTITE® PRODUCT 272 THREADLOCKING ADHESIVE
 WHEN INSTALLING THESE ON THE SHELL ASSEMBLY. LOCTITE® IS A
 REGISTERED TRADEMARK OF LOCTITE CORPORATION.

10 A SPANNER WRENCH TOOL, TYCO ELECTRONICS P/N 1738220-1 (WITH 1/4-in ADAPTER)
 OR 1738221-1 (WITH T-HANDLE), IS USED TO LOCK THE RETAINING NUT.
 RECOMMENDED LOCKING TORQUE: 1.5 N-m [13 in-lb].

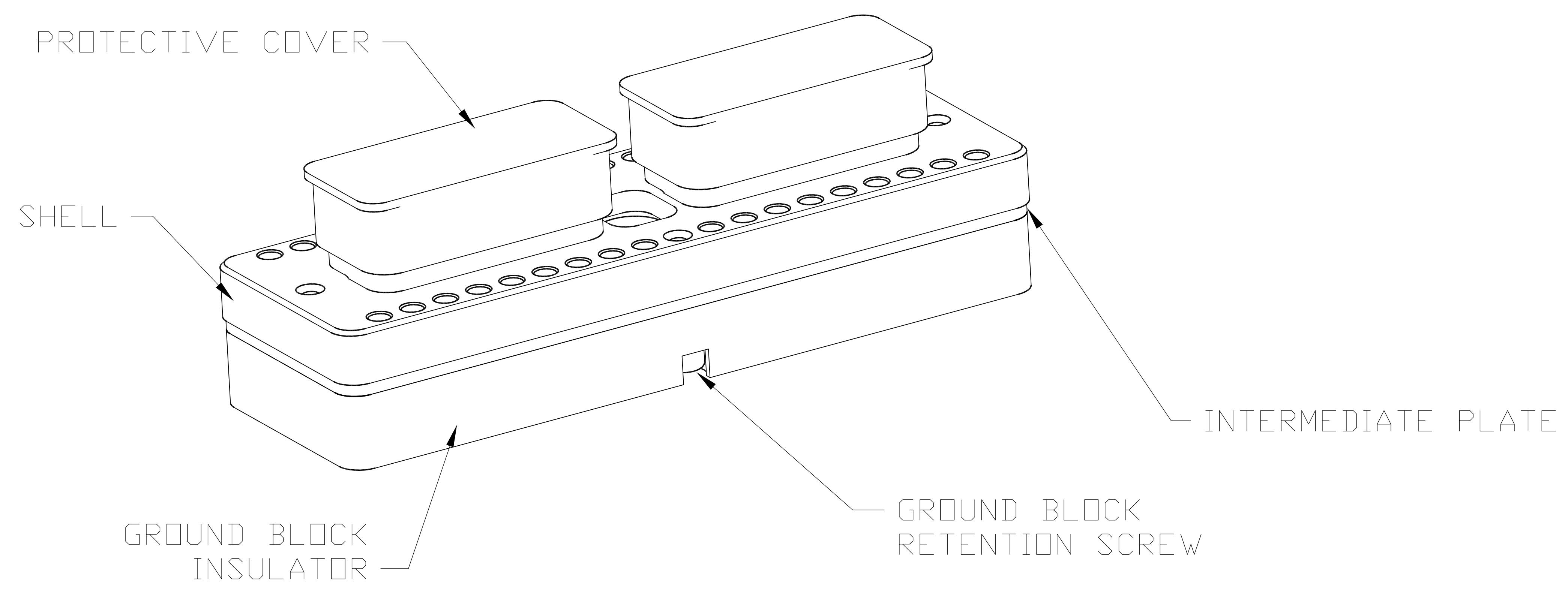
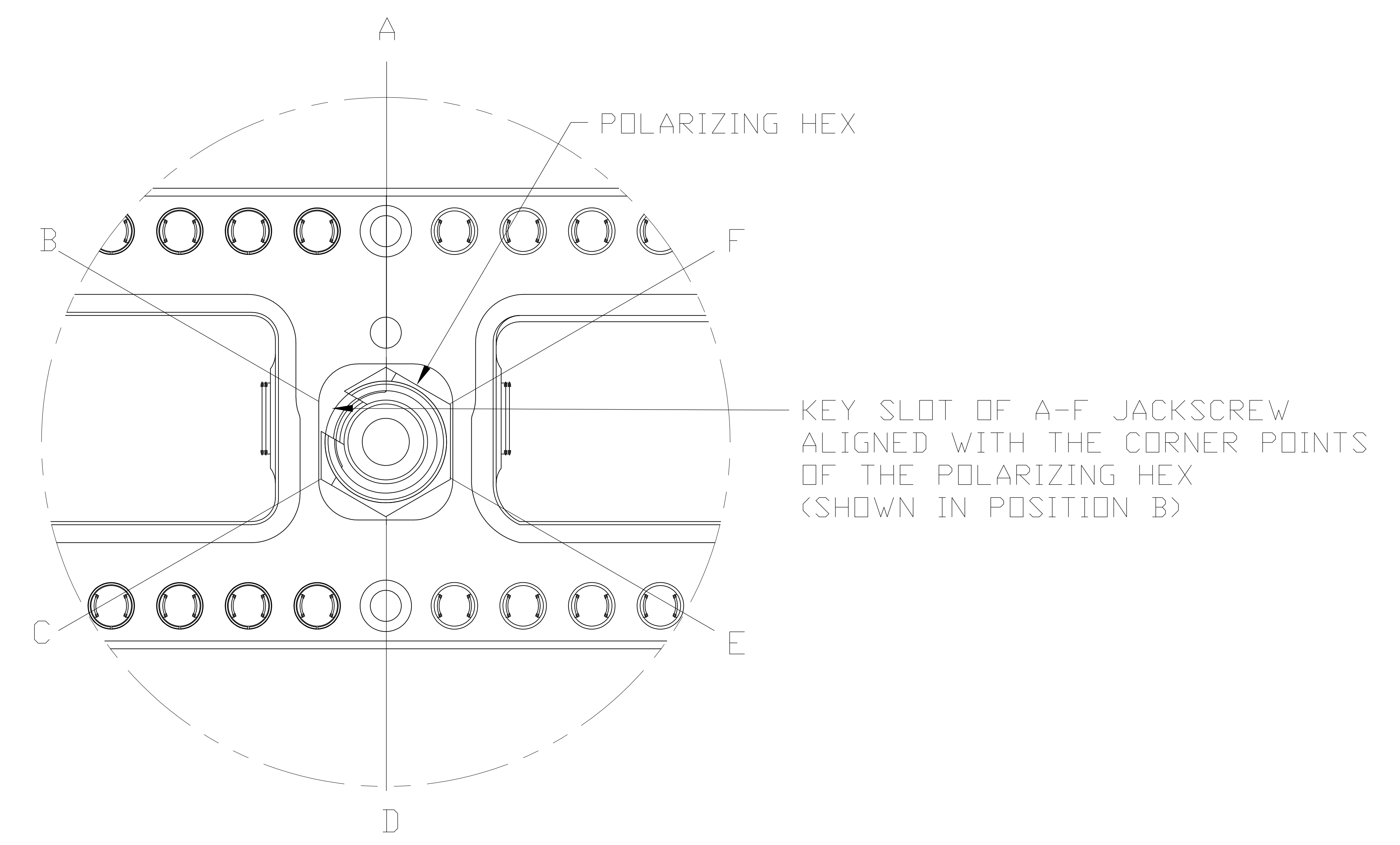
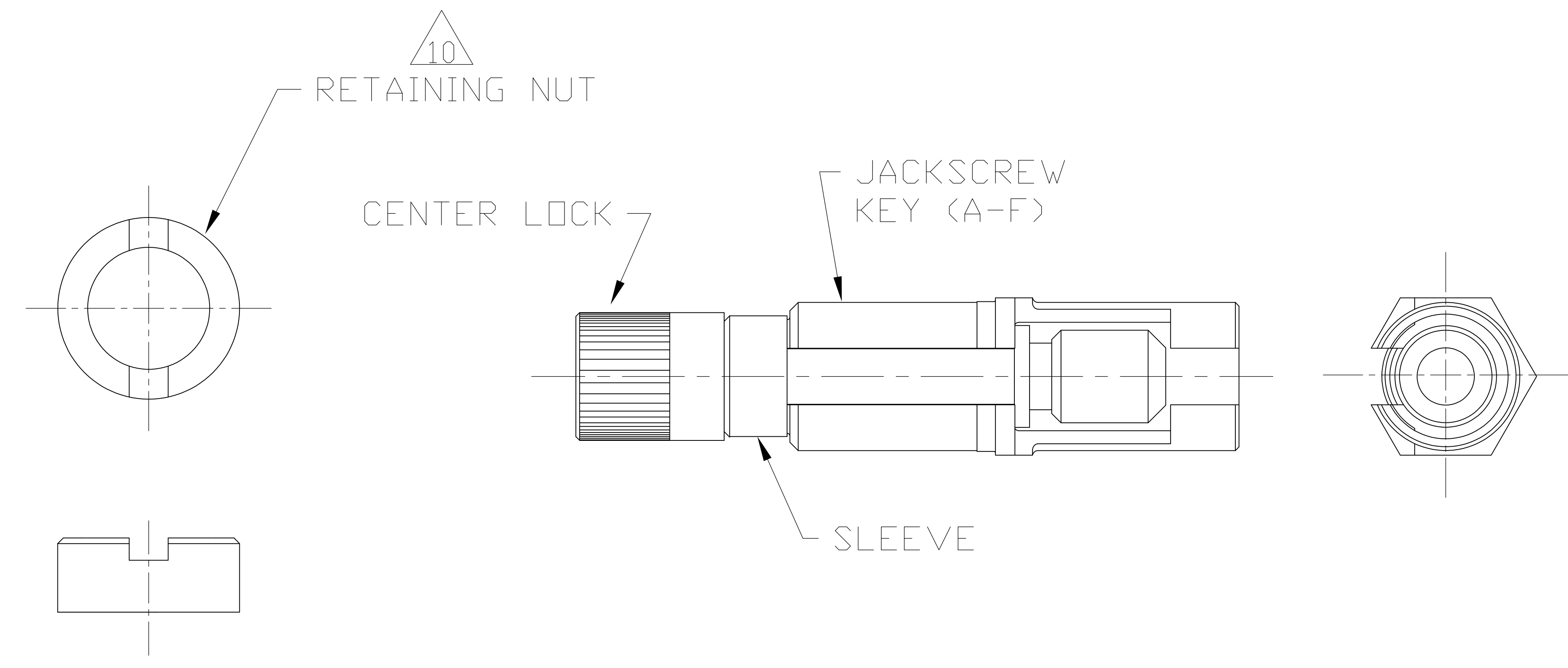
11. DESCRIPTIVE PART NUMBER: GPRB2WB12N
 SERIES: GPRB
 SHELL SIZE: 2 (TWO-CAVITY SHELL)
 SHELL STYLE: W (PLUG, WITH GROUNDING BLOCK)
 MODIFICATION CODE: B (NO MOUNTING HOLES)
 LOCKING AND POLARIZING DEVICE: 1 (JACKSCREW)
 POLARIZATION CODE: 2 (A-F JACKSCREW HARDWARE SHIPPED UNASSEMBLED)
 SHELL PLATING: N (NICKEL PLATING)

12. THIS PRODUCT IS SOLD BY TYCO ELECTRONICS UNDER A LICENSE FROM RADIAL SA.



THIS PRINT IS
PRELIMINARY
 UNQUALIFIED PRODUCT
 CONTACT PRODUCT ENGINEERING
 BEFORE USING THIS PRINT

THIS DRAWING IS A CONTROLLED DOCUMENT.				REV	DATE	BY	CHKD	APPR	
DIMENSIONS: (UNLESS OTHERWISE SPECIFIED):				MATERIAL		FINISH		SCALE	
mm [INCHES]				TYCO ELECTRONICS		1738260-1		1:1	
D. PLC ± .010				CUSTOMER DRAWING		TYCO ELECTRONICS		SHEET 1 OF 2	
E. PLC ± .012 (0.08)				TYCO ELECTRONICS		TYCO ELECTRONICS		REV 2	
F. PLC ± .015				TYCO ELECTRONICS		TYCO ELECTRONICS		REV 2	
G. PLC ± .020				TYCO ELECTRONICS		TYCO ELECTRONICS		REV 2	
H. PLC ± .025				TYCO ELECTRONICS		TYCO ELECTRONICS		REV 2	
I. PLC ± .030				TYCO ELECTRONICS		TYCO ELECTRONICS		REV 2	
J. PLC ± .035				TYCO ELECTRONICS		TYCO ELECTRONICS		REV 2	
K. PLC ± .040				TYCO ELECTRONICS		TYCO ELECTRONICS		REV 2	
L. PLC ± .045				TYCO ELECTRONICS		TYCO ELECTRONICS		REV 2	
M. PLC ± .050				TYCO ELECTRONICS		TYCO ELECTRONICS		REV 2	



DETAIL A - JACKSCREW KIT ASSEMBLED

THIS PRINT IS
PRELIMINARY
 UNQUALIFIED PRODUCT
 CONTACT PRODUCT ENGINEERING
 BEFORE USING THIS PRINT

1738260-1
 PART NUMBER

THIS DRAWING IS A CONTROLLED DOCUMENT.		DATE	REV	BY	APP'D	Tyco Electronics Corporation Harrisburg, Pa 17105-3608	
DIMENSIONS: mm (INCHES)		DESCRIPTION	DATE	BY	APP'D	Tyco Electronics Corporation	
TOLERANCES UNLESS OTHERWISE SPECIFIED:		PLUG SHELL KIT, WITH GROUND BLOCK, WITH A-F JACKSCREW, GPRB2	DATE	BY	APP'D	Tyco Electronics Corporation	
Ø	0.008	PRODUCT SPEC				PLUG SHELL KIT, WITH GROUND BLOCK, WITH A-F JACKSCREW, GPRB2	
Ø	0.008	APPLICATION SPEC				PLUG SHELL KIT, WITH GROUND BLOCK, WITH A-F JACKSCREW, GPRB2	
Ø	0.008	WEIGHT				PLUG SHELL KIT, WITH GROUND BLOCK, WITH A-F JACKSCREW, GPRB2	
Ø	0.008	CUSTOMER DRAWING				PLUG SHELL KIT, WITH GROUND BLOCK, WITH A-F JACKSCREW, GPRB2	
MATERIAL		SCALE	1:1	SHEET	2	REV	2