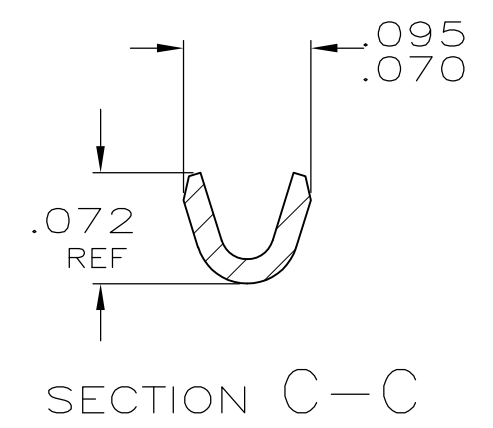
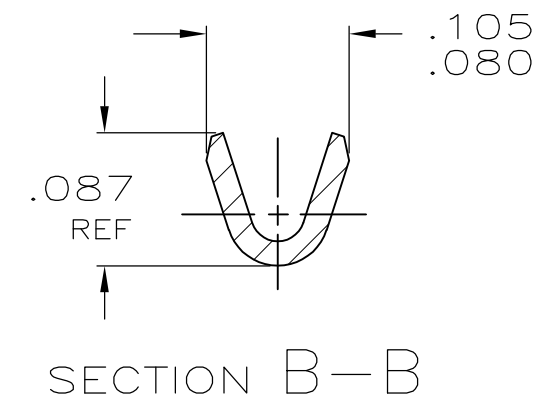
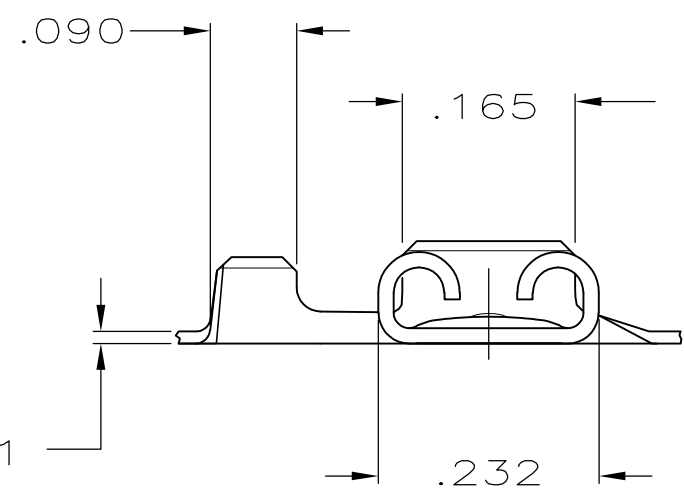
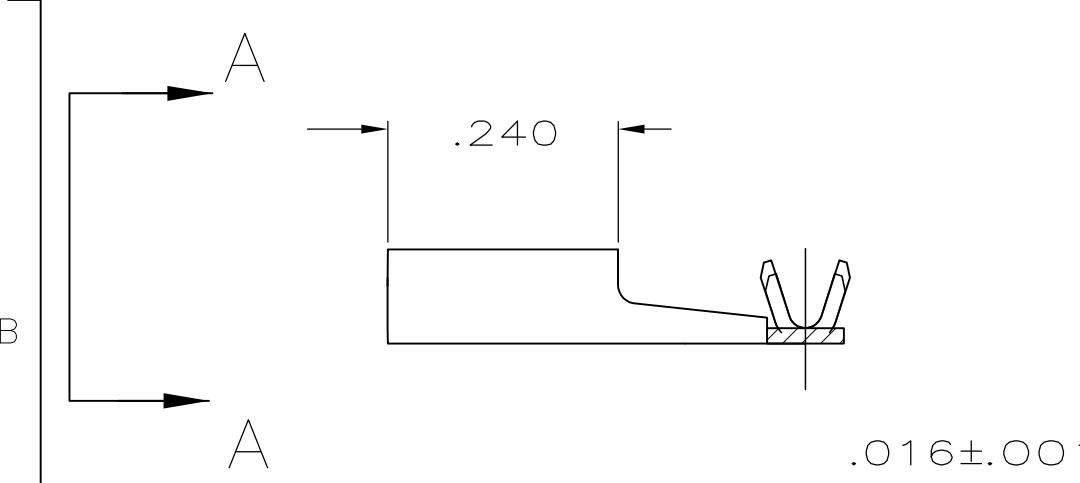
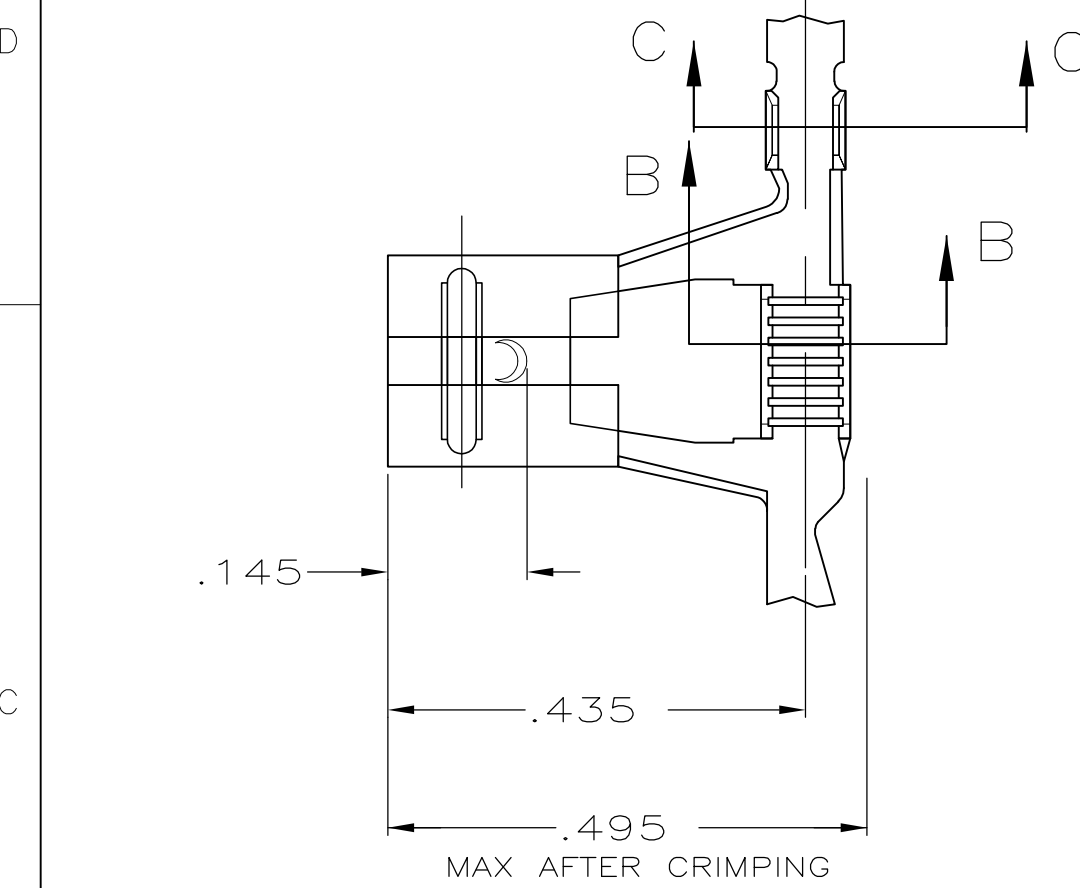


THIS DRAWING IS UNPUBLISHED. RELEASED FOR PUBLICATION
 © COPYRIGHT - By TYCO ELECTRONICS CORPORATION. ALL RIGHTS RESERVED.

LOC	DIST	REVISIONS			
P	LTR	DESCRIPTION	DATE	DWN	APVD
		C	REVISE PER ECR-13-013738	15FEB2014	GRZ JL

- 1 CONTINUOUS STRIP ON REELS.
- 2 ACCEPTS MAGNET WIRE RANGES 24-20 AWG.
- 3 MATING TAB THK IS .032±.001.



VIEW A-A

1217624-1
PART NO.

THIS DRAWING IS A CONTROLLED DOCUMENT.		DWN JR RUTH 09APR01	TE Connectivity RECEPTACLE, FASTON, FLAG, AMPLIVAR, .187 SERIES		
DIMENSIONS: INCHES		CHK MS FEHER 09APR01			
TOLERANCES UNLESS OTHERWISE SPECIFIED:		APVD P DESANTIS 09APR01			
0 PLC ± - 1 PLC ± - 2 PLC ± .010 3 PLC ± - 4 PLC ± - ANGLES ± -		NAME			
MATERIAL BRASS		FINISH .000080 MIN TIN	PRODUCT SPEC -	APPLICATION SPEC -	RESTRICTED TO -
CUSTOMER DRAWING			SIZE A3	CAGE CODE 00779	DRAWING NO C-1217624
			SCALE 5:1	SHEET 1 OF 1	REV C