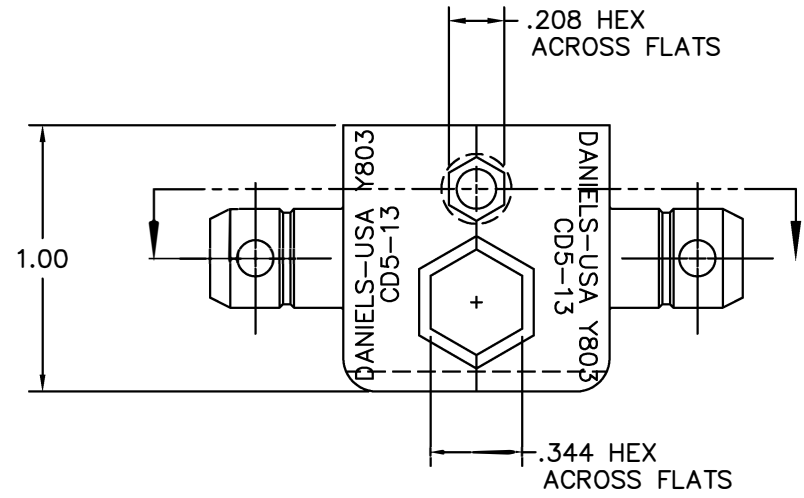
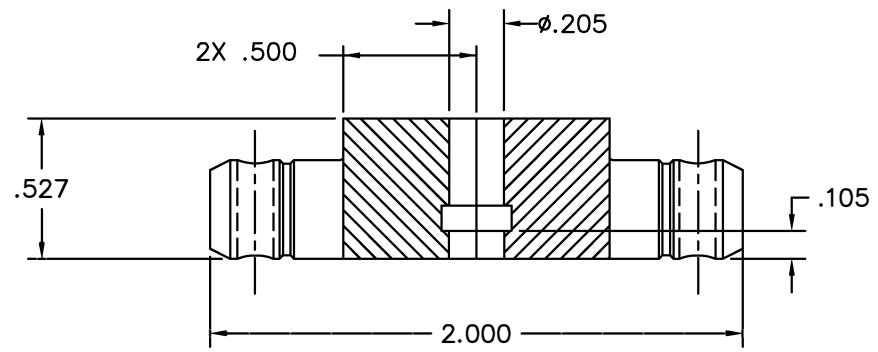


REVISIONS				
REV. SYM.	E.C.O. NUMBER	DESCRIPTION	BY DATE	APP'D DATE
3		Ø.205 WAS Ø.149	JWJ 6/5/01	RRR 6/5/01



**UNCONTROLLED DOCUMENT  
WILL NOT BE UPDATED**

<b>RESTRICTED &amp; CONFIDENTIAL</b>		MATERIAL		ITEM	PART NO.	QTY.	DESCRIPTION/REMARKS
CONFIDENTIAL PROPERTY OF DANIELS MANUFACTURING CORP. NOT TO BE DISCLOSED TO OTHERS, REPRODUCED OR USED FOR ANY OTHER PURPOSE, EXCEPT AS AUTHORIZED IN WRITING BY DANIELS MANUFACTURING. MUST BE RETURNED TO DANIELS MANUFACTURING CORP. ON COMPLETION OF ORDER OR OTHER PURPOSE FOR WHICH SENT.		HEAT TREAT		DRN.	B. KILPATRICK	DATE	4-17-98
				CHK'D.	DE	DATE	4-98
				APP'D.		DATE	
				APP'D.		DATE	
DO NOT SCALE DRAWING		FINISH		NOTE: THIS DRAWING IS AN OUTLINE DRAWING OF THE RESPECTIVE DMC PART NUMBER INDICATED. ACTUAL DMC PART NUMBER IS DRAWING PART NUMBER WITHOUT THE "-ENV" SUFFIX.			
				WHERE USED:		CAD FILE NO	SHEET OF
				SIZE	SCALE	Y803-ENV	1 1
				POSTING		DWG. NO.	REV.
				Y803-ENV		3	

**DMC** DANIELS MANUFACTURING CORP.  
ORLANDO, FLORIDA  
CAGE 11851

**DIE SET  
ENVELOPE DRAWING  
(CD5-13)**