

A

B

C

D

E

F

A

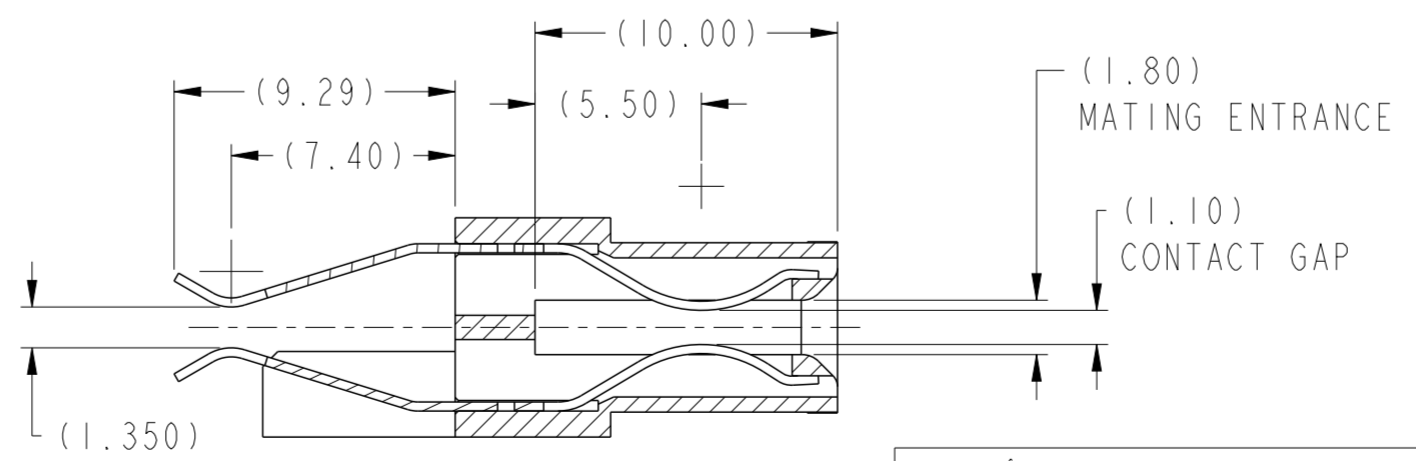
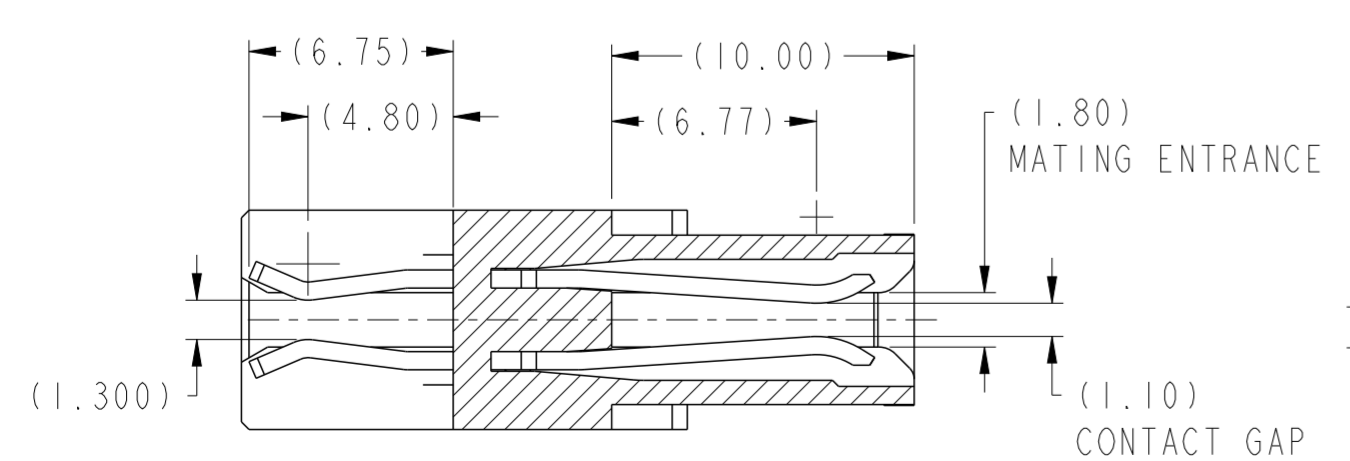
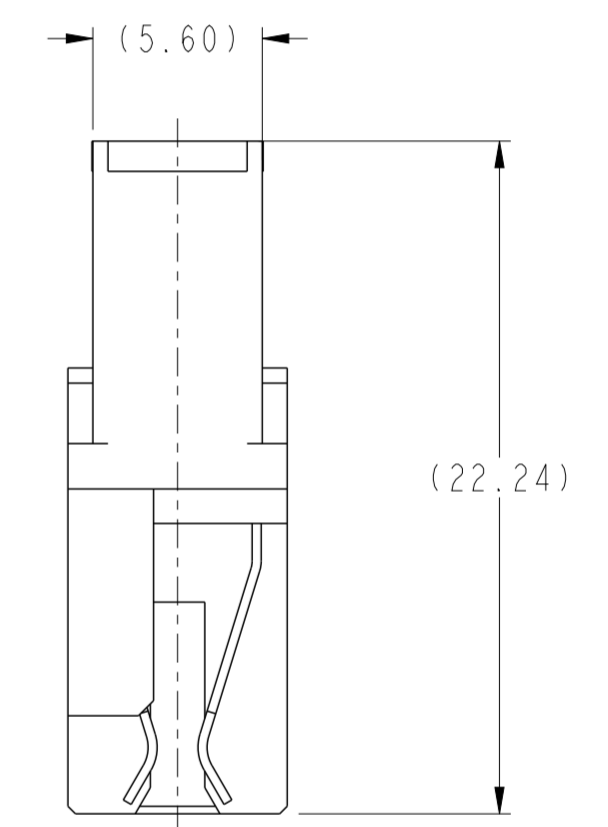
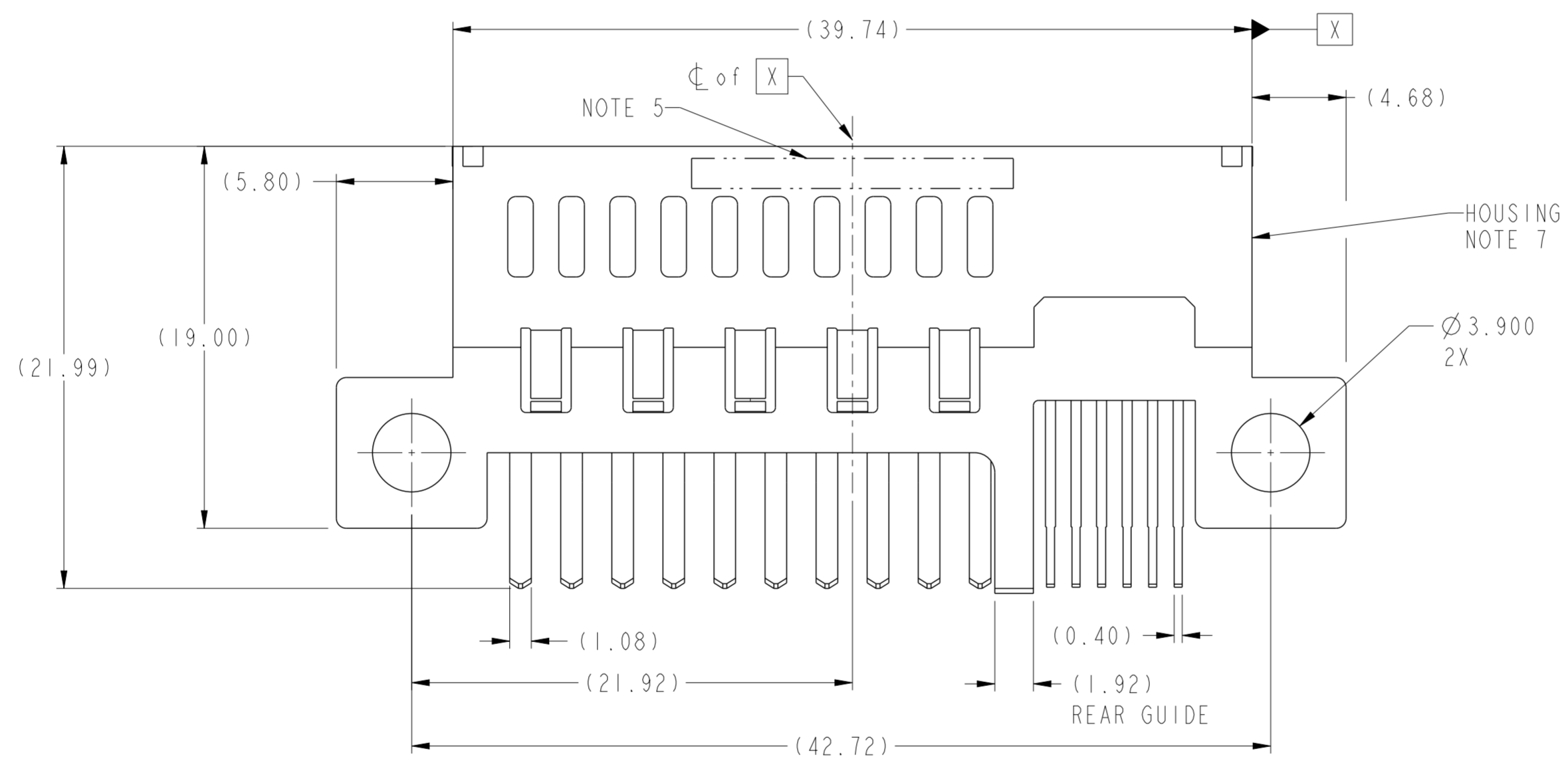
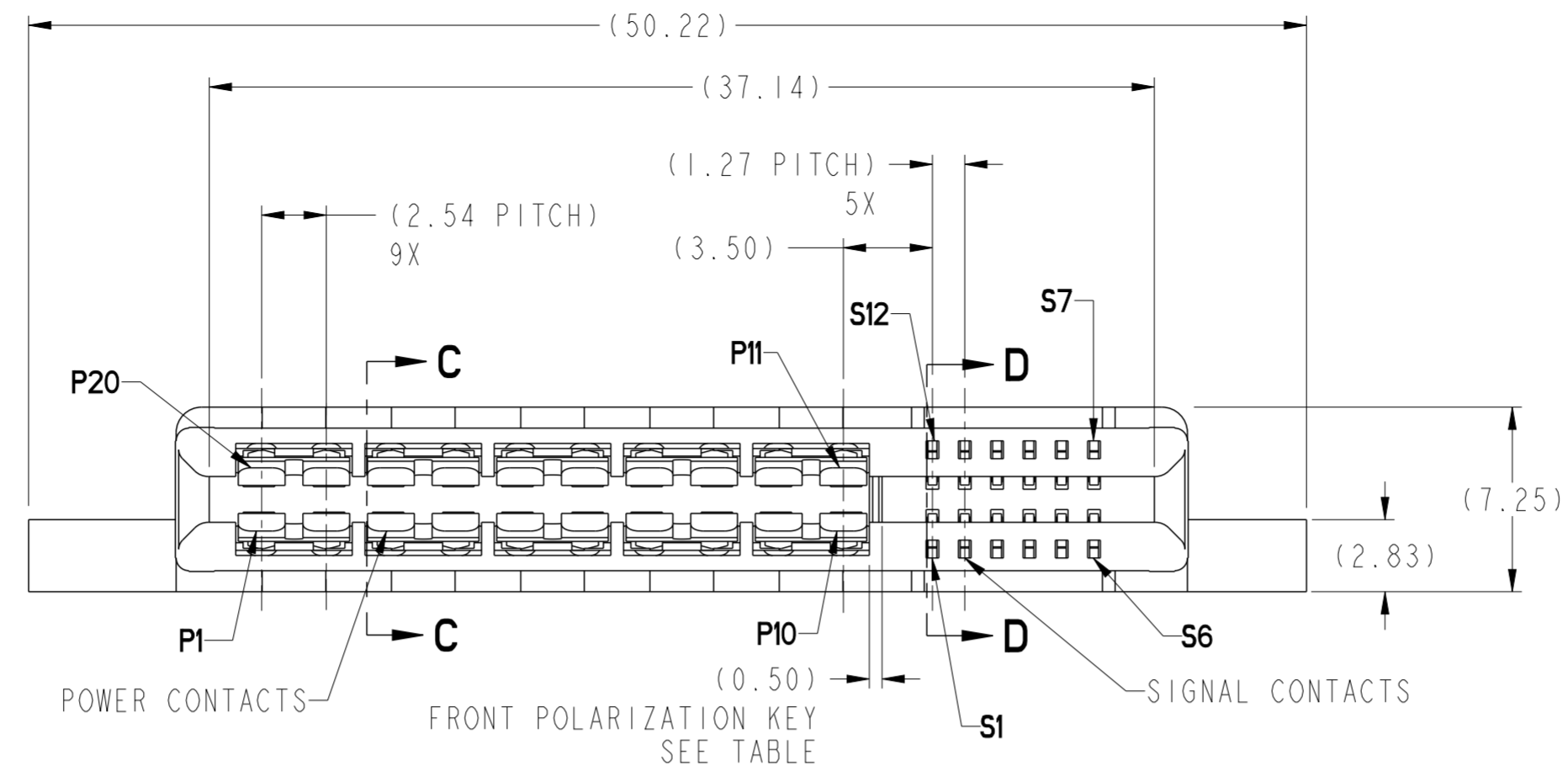
B

C

D

E

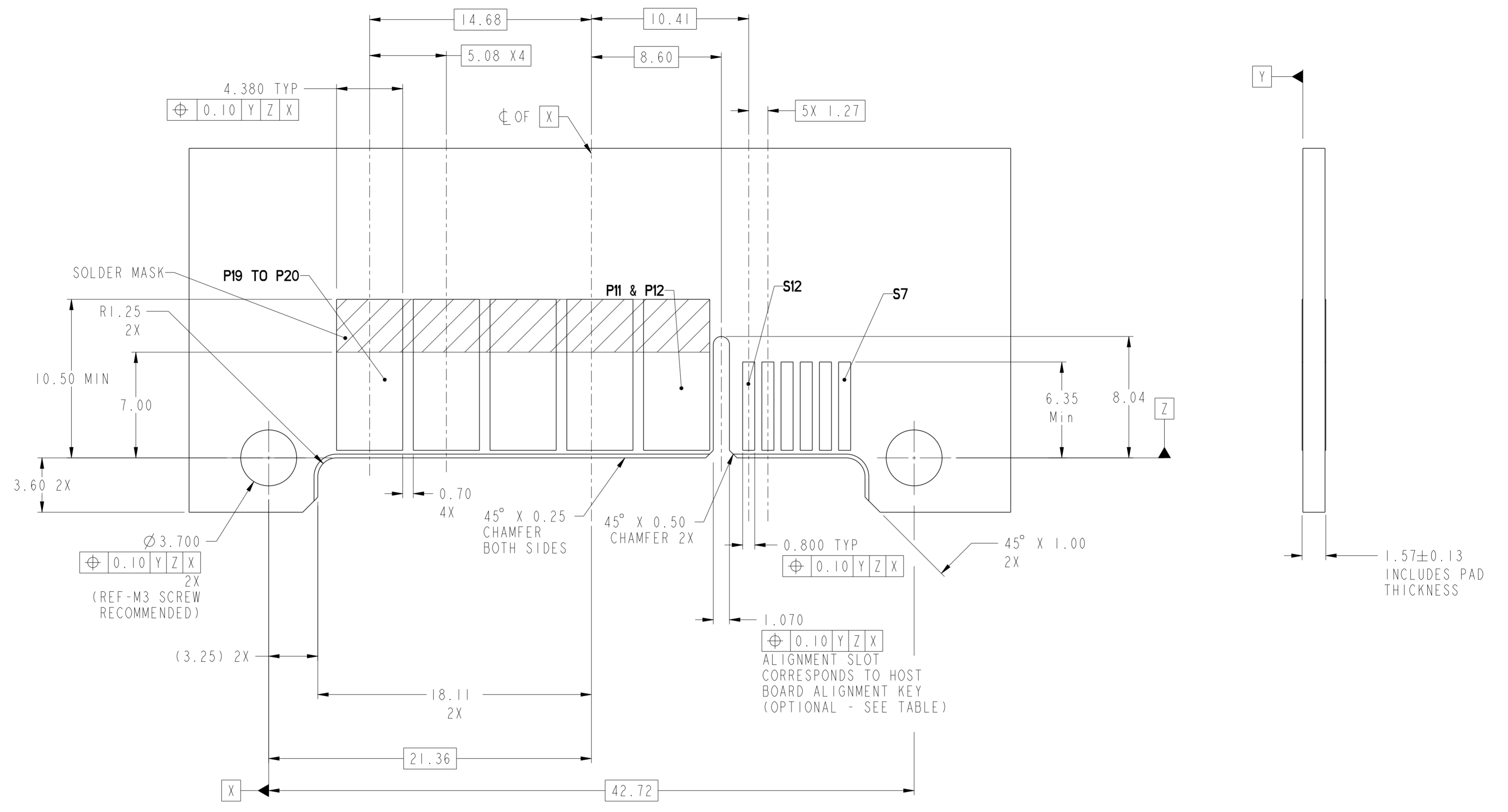
F



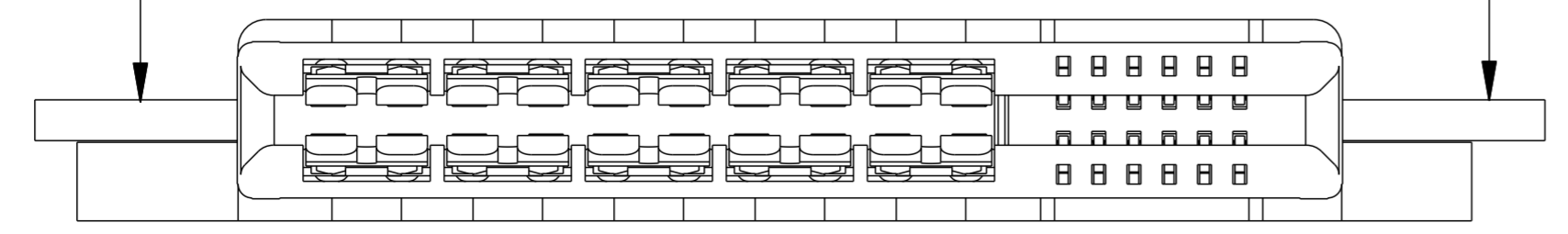
spec ref	-	dr	Wei-Long Zhang	2010/12/20	projection	MM	size	A2	scale	4:1	
tolerance std	-	eng	Sunny2 Liu	2016/05/06			ecn no ELX-DG-24036-1	rel level Released	title HPCE-STRADDLE MT (20P-12S) (RECEPTACLE)	dwg no 10116809	rev D
	TOLERANCES UNLESS OTHERWISE SPECIFIED	chr	Terris Liu	2016/05/20							
surface	-	appr	Pai-Ming Zheng	2016/05/24	Product - Customer Drw		sheet 1 of 4				
	linear	0.X	±0.3								
		0.XX	±0.1								
		0.XXX	±0.05								
	angular	0°	±°								

Amphenol FCI

© 2016 AFCI



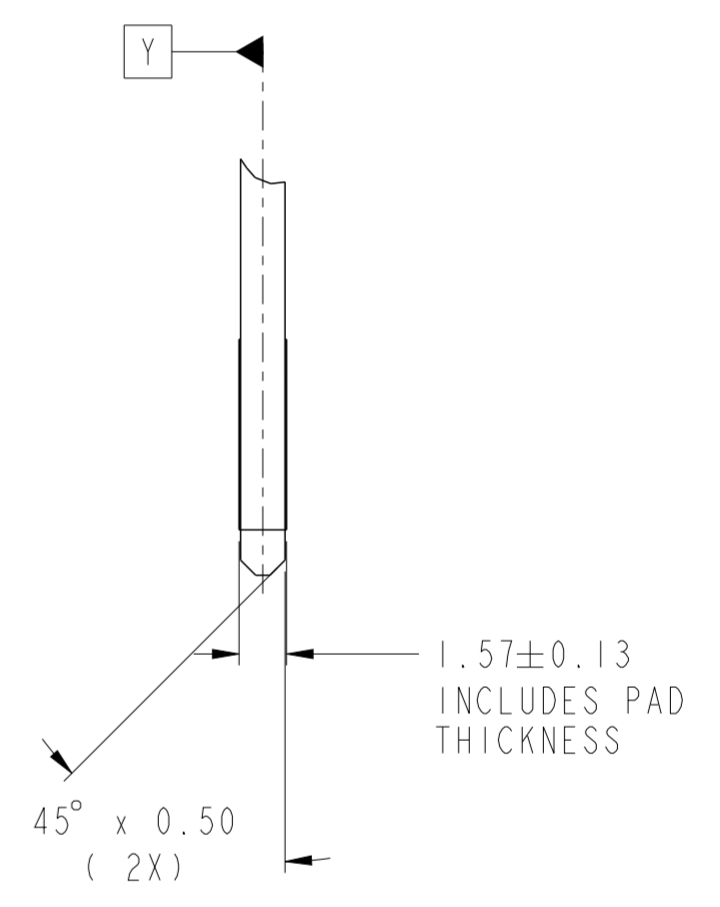
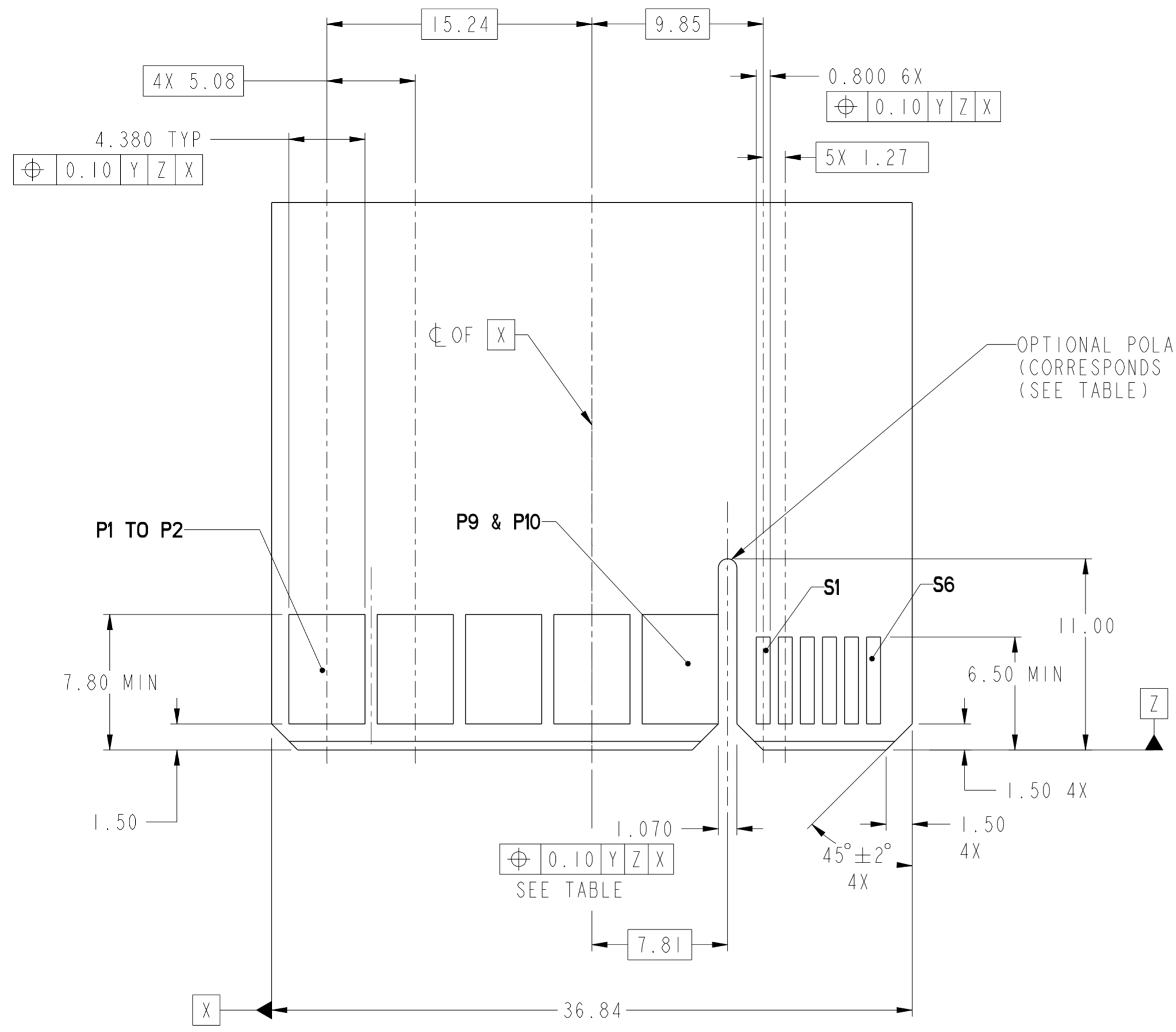
**RECOMMENDED HOST BOARD LAYOUT  
AS VIEWED**



spec ref	-	dr	Wei-Long Zhang	2010/12/20	projection	MM	size	A2	scale	2:1
tolerance std	TOLERANCES UNLESS OTHERWISE SPECIFIED	eng	Sunny2 Liu	2016/05/06			ecn no	ELX-DG-24036-1		
		chr	Teris Liu	2016/05/20				rel level	Released	
		appr	Pei-Ming Zheng	2016/05/24	product family	-	rel level	Released		
surface	linear	0.X	±0.3		<b>HPCE-STRADDLE MT (20P-12S)</b> (RECEPTACLE)		dwg no 10116809	rev		D
		0.XX	±0.1		cat. no.			Product - Customer Drw	sheet 2 of 4	
	angular	0°	±0°		PDS: Rev :D			STATUS:Released	Printed: May 24, 2016	

Amphenol  
FCi

© 2016 AFci



**RECOMMENDED MATING BOARD FOOTPRINT**

Amphenol FCI

© 2016 AFCI

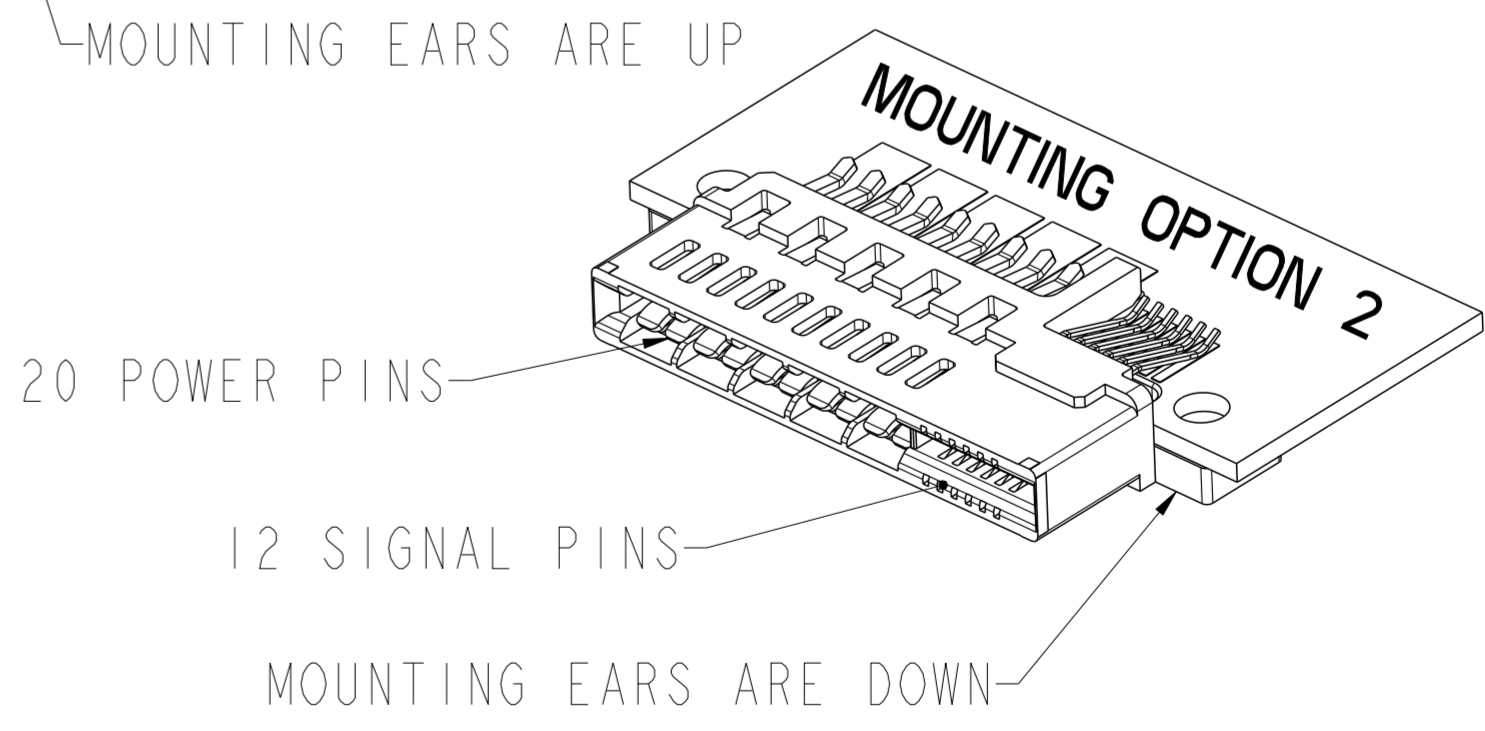
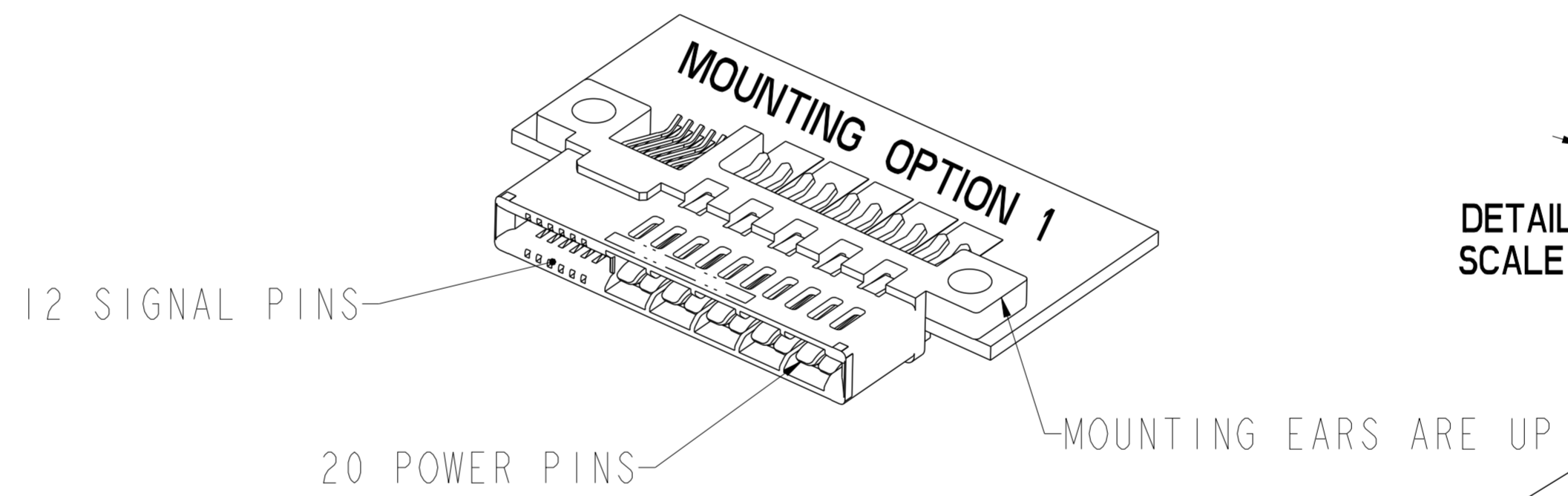
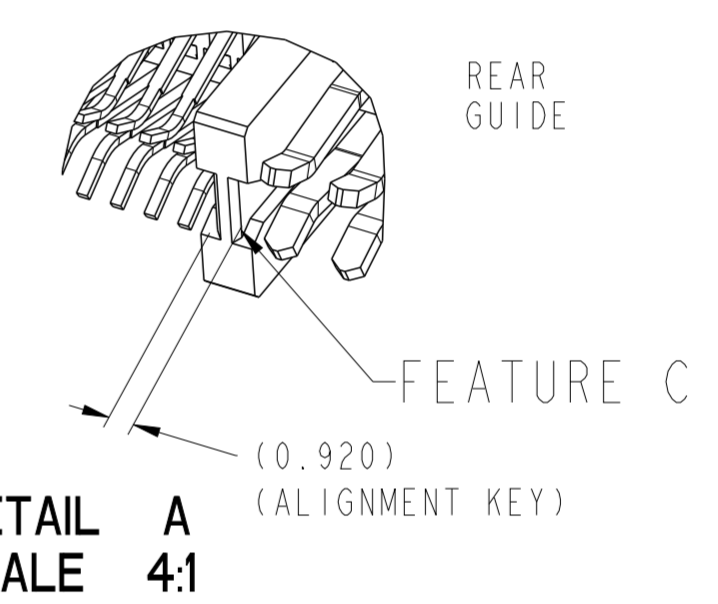
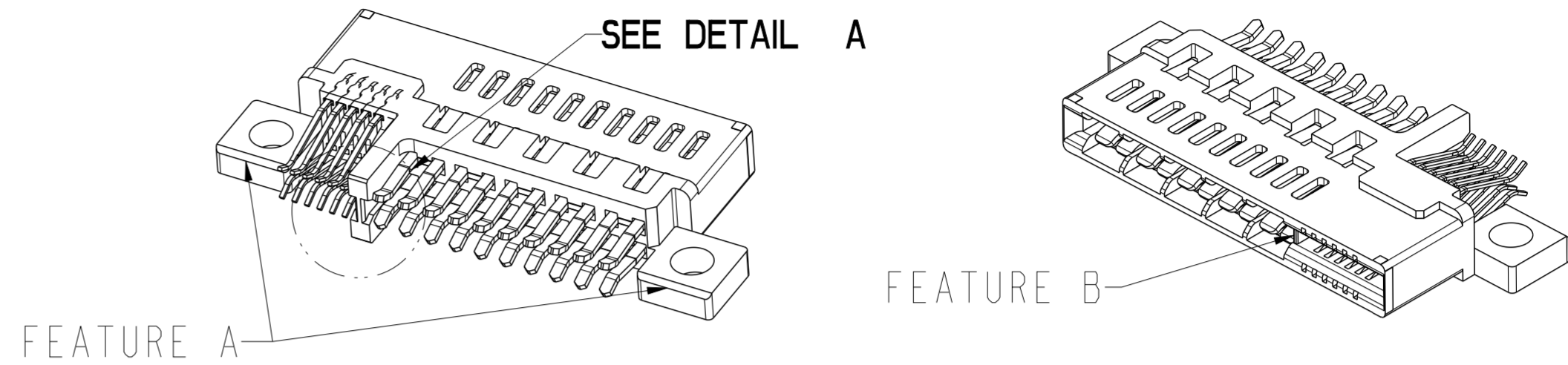
spec ref	-	dr	Wei-Long Zhang	2010/12/20	projection	MM	size	A2	scale	1:1
tolerance std	-	eng	Sunny2 Liu	2016/05/06			ecn no	ELX-DG-24036-1	rel level	Released
	TOLERANCES UNLESS OTHERWISE SPECIFIED	chr	Terris Liu	2016/05/20						
		appr	Pai-Ming Zheng	2016/05/24						
surface	linear	0.X	±0.3		<b>HPCE-STRADDLE MT (20P-12S)</b> (RECEPTACLE)	cat. no.	Product - Customer Drw	sheet 3 of 4	rev <b>D</b>	
		0.XX	±0.1							
		0.XXX	±0.05							
	angular	0°	±°							

PDS: Rev :D

STATUS:Released

Printed: May 24, 2016

PART NUMBER	FEATURE C HOST BOARD ALIGNMENT KEY (SEE NOTE 8)	FEATURE A MOUNTING EARS	FEATURE B FRONT POLARIZATION KEY
10116809-001LF	YES	YES	NO
10116809-002LF		YES	YES
10116809-003LF		NO	NO
10116809-004LF		NO	YES
10116809-005LF	NO	YES	NO
10116809-006LF		YES	YES
10116809-007LF		NO	NO
10116809-008LF		NO	YES



- NOTES:
- CONNECTOR MATERIALS:  
HOUSING: HIGH TEMPERATURE THERMAL PLASTIC, BLACK  
UL 94V-0 COMPLIANT  
CONTACTS: HIGH PERFORMANCE COPPER ALLOY.
  - CONTACT FINISH REF. GS-12-604 SECTION 5.2.
  - PRODUCT SPECIFICATION: GS-12-604.
  - APPLICATION SPECIFICATION: GS-20-128.
  - PRODUCT MARKING ON HOUSING IN AREA SHOWN MEETS AFCI SPECIFICATION: GS-24-007.
  - PACKAGING MEETS FCI SPECIFICATION GS-14-937.
  - HOUSING COMPONENT WILL WITHSTAND EXPOSURE TO 260°C PEAK TEMPERATURE FOR 60 SECONDS IN A CONVECTION, INFRA-RED, OR VAPOR PHASE REFLOW OVEN.
  - HOST BOARD ALIGNMENT KEY IS RECOMMENDED TO ENSURE PROPER ALIGNMENT OF SOLDER TAILS WITH HOST BOARD PADS.
  - A SYMBOL  $\triangle$  WILL BE NEXT TO ANY DIMENSION, VIEW, OR NOTE WHICH HAS BEEN MODIFIED WITH THE CURRENT DRAWING REVISION.

spec ref	-	dr	Wei-Long Zhang	2010/12/20	projection	MM	size	A2	scale	4:1		
tolerance std	-	eng	Sunny2 Liu	2016/05/06			ecn no	ELX-DG-24036-1				
	TOLERANCES UNLESS OTHERWISE SPECIFIED	chr	Terris Liu	2016/05/20				rel level	Released			
surface	-	appr	Pei-Ming Zheng	2016/05/24	product family	CARD EDGE	rel level	Released				
	linear	0.X	±0.3		title	HPCE-STRADDLE MT (20P-12S)			cat. no.	10116809	rev	D
		0.XX	±0.1									
		0.XXX	±0.05									
	angular	0°	±°									

Amphenol FCI

© 2016 AFCI