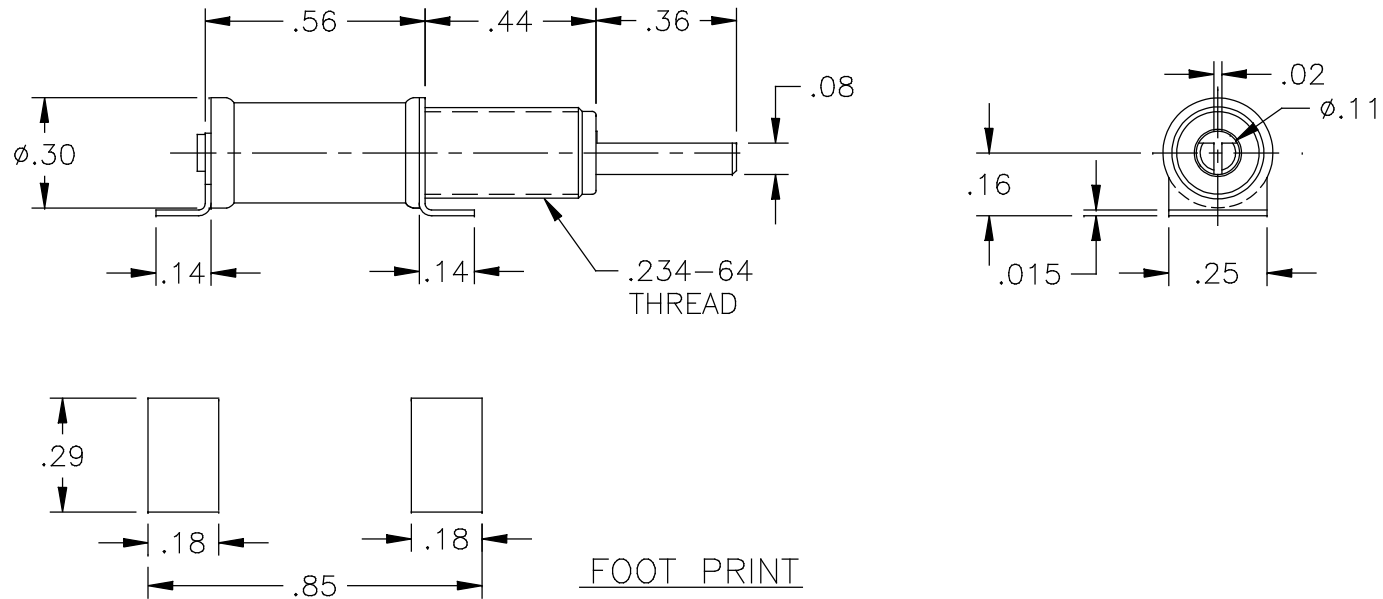


DATE	SYM	REVISION	RECORD	AUTH	DR	CK
20/12 11	-	DOCUMENT CREATED			EC	TD



NOTES:

1. CAPACITANCE RANGE, pF: 1.5 TO 40.0
2. DC WORKING VOLTAGE AT 40.0 pF: 1000
3. DC WITHSTANDING VOLTAGE AT 40.0 pF: 2000
4. Q FACTOR AT 100 MHz AND 40.0 pF: 2000 MIN.
5. INSULATION RESISTANCE:  $10^6$  MEGOHMS AT 25°C
6. TEMPERATURE COEFFICIENT:  $0 \pm 100$  PPM/°C
7. OPERATING TEMPERATURE: -65°C TO +125°C
8. TUNING TORQUE: 0.5 TO 5.0 IN-OZ
9. ROTATIONAL LIFE: 600 TURNS
10. VIBRATION: 50g AT 10-2000 Hz
11. SHOCK: 1500g, 0.5 MILLISECS.
12. SEAL: 40 PSI

TOLERANCES (EXCEPT AS NOTED)	VOLTRONICS CORPORATION 100 FORD RD. DENVER N.J.		
DECIMAL XXX $\pm .005$ XX $\pm .016$	SCALE 2 : 1	DRAWN BY E. CONTRERAS	
FRACTIONAL -	TITLE OUTLINE DWG. NMAJ40HVFS	APPROVED BY T. DOLAN	
ANGULAR -	DATE 20/12/11	DRAWING NUMBER 71,148	